

PRODUCT INFORMATION PACKET



Model No: CZ6T17TC1D
Catalog No: 117127.00
..1/2HP..1725RPM.56.TENV.208-230/460V.3PH.60HZ.CONT.40C.1.15SF.C
FACE.CZ6T17TC1.....EXTREME DUCK.NOT.....
Encapsulated



Regal and Leeson are trademarks of Regal Beloit Corporation or one of its affiliated companies.
©2018 Regal Beloit Corporation, All Rights Reserved. MC017097E





Nameplate Specifications

Output HP	0.50 Hp	Output KW	0.37 kW
Frequency	60 Hz	Voltage	208-230/460 V
Current	1.7-1.6/0.80 A	Speed	1725 rpm
Service Factor	1.15	Phase	3
Efficiency	78.5 %	Duty	Continuous
Insulation Class	F	Design Code	B
KVA Code	K	Frame	56C
Enclosure	Totally Enclosed Non Ventilated	Overload Protector	No
Ambient Temperature	40 °C	Drive End Bearing Size	6205
Opp Drive End Bearing Size	6205	UL	Recognized
CSA	Y	CE	Y
IP Code	69		

Technical Specifications

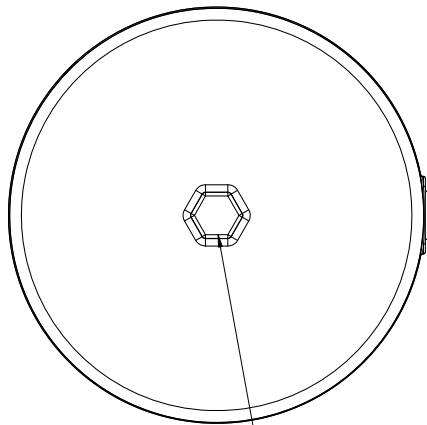
Electrical Type	Squirrel Cage Induction Run	Starting Method	Across The Line
Poles	4	Rotation	Reversible
Mounting	Round	Motor Orientation	HORIZONTAL
Drive End Bearing	BALL	Opp Drive End Bearing	BALL
Frame Material	Rolled Steel	Shaft Type	NEMA 56
Overall Length	10.97 in	Frame Length	5.75 in
Shaft Diameter	0.625 in	Shaft Extension	1.88 in
Assembly/Box Mounting	F1 ONLY		
Outline Drawing	028768-575	Connection Diagram	005010.52

B

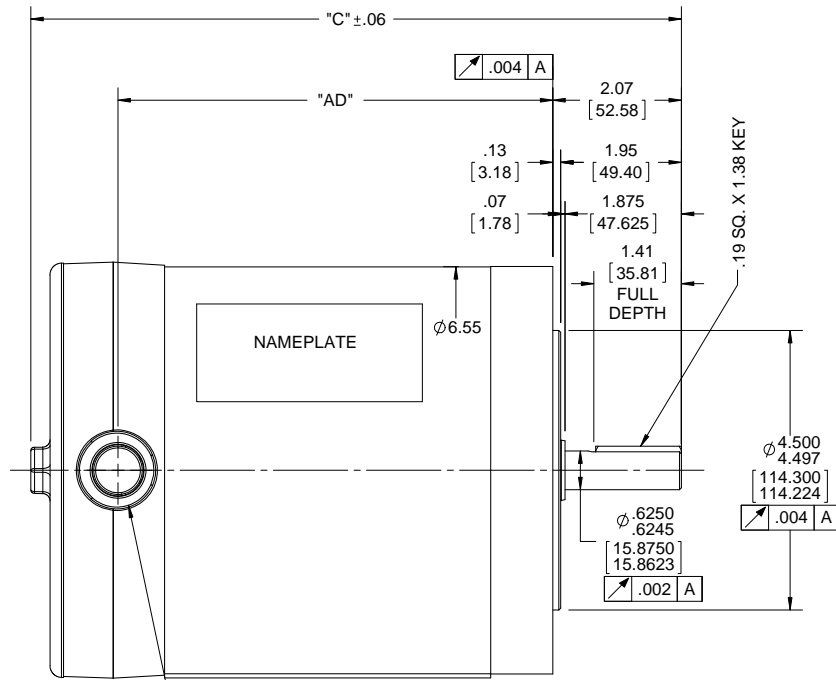
B

A

A



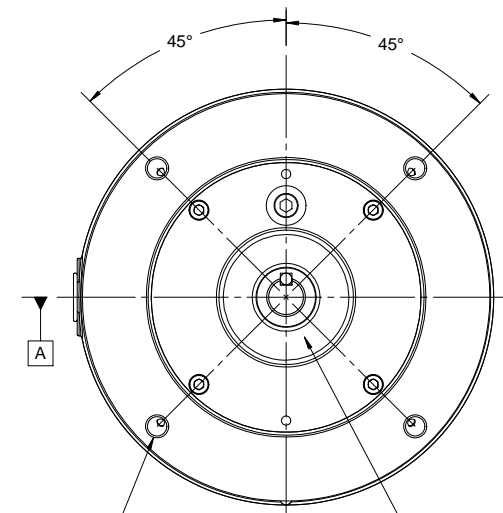
3/4" HEX DRIVER
FOR COVER
REMOVAL



NAMEPLATE

Ø6.55

1/2-14 NPT CONDUIT
HOLE



(4) 3/8-16 UNC-2B X .56
DEEP ON A Ø5.875 B.C.

SHAFT
SEAL

DASH NO.	"C"	"AD"
525	10.47	7.00
550	10.72	7.25
575	10.97	7.50
600	11.22	7.75
625	11.47	8.00
650	11.72	8.25
675	11.97	8.50
700	12.22	8.75
800	13.22	9.75

DRAWING REVISION C	REVISION BY AS	DATE 06/01/2017
ECO ECO-0119080	APPROVED BY JD	DATE 06/01/2017
ECO DESCRIPTION ADDED ITEM #800		
<small>COPYRIGHT REGAL BELOIT AMERICA, INC. ALL RIGHTS RESERVED. PROPRIETARY AND CONFIDENTIAL INFORMATION - THIS DOCUMENT IS THE PROPERTY OF REGAL BELOIT AMERICA, INC. (OWNER) AND CONTAINS OWNER'S PROPRIETARY INFORMATION. ANY PERSON, CORPORATION OR OTHER FIRM RECEIVING IT IS DEEMED, BY RECEIVING IT, TO AGREE THAT IT, AND/OR ANY PART OF IT, SHALL NOT BE DISCLOSED TO ANY PERSON, CORPORATION OR OTHER ENTITY, DUPLICATED, AND/OR USED, EXCEPT AS EXPRESSLY APPROVED IN WRITING IN ADVANCE BY OWNER. THIS DOCUMENT SHALL BE RETURNED TO OWNER UPON REQUEST. IT MAY BE SUBJECT TO CERTAIN RESTRICTIONS UNDER APPLICABLE EXPORT CONTROL LAWS AND REGULATIONS.</small>		

TOLERANCES UNLESS OTHERWISE SPECIFIED:		
DEC.	INCH	mm
.X	±0.1	[±2.5]
.XX	±0.03	[±0.76]
.XXX	±0.005	[±0.127]
.XXXX	±0.0005	[±0.0127]
REMOVE BURRS & BREAK SHARP		
EDGES: .003/.015 [0.076/.381] X 45°		
CORNER FILLETS: R.02 [51]		
MACHINED SURFACES: 200 5.1		
mm SHOWN IN [BRACKETS]		

DRAWN BY LST 9/4/09
DATE
APPROVED BY
DATE
REFERENCE
THIRD ANGLE PROJECTION

REGAL™ Regal Beloit America, Inc.

DESCRIPTION
OUTLINE
TENV "C" FACE

MATERIAL

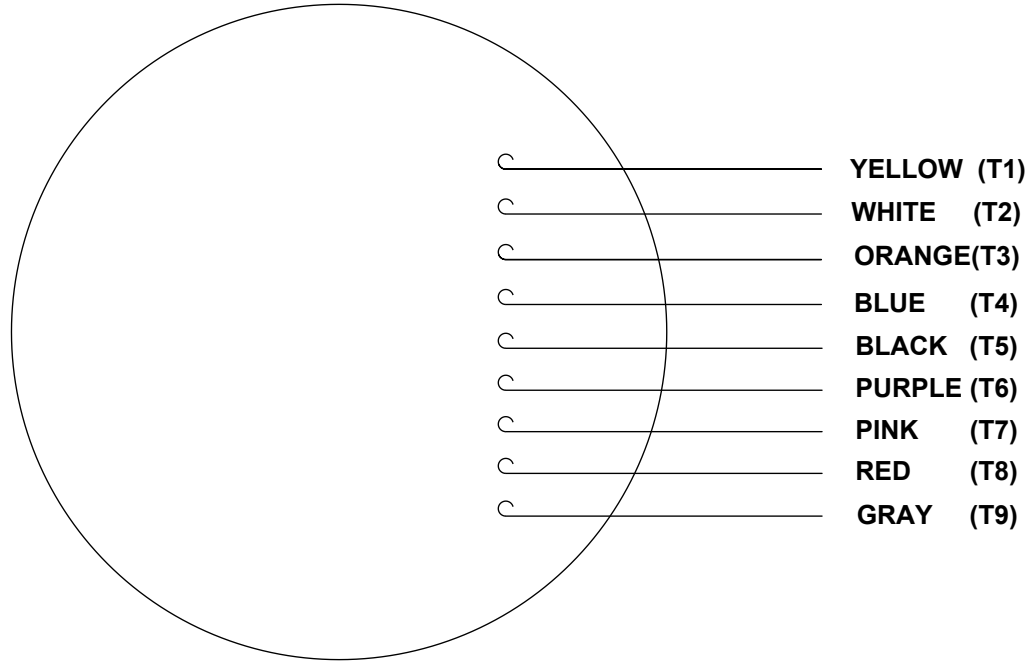
PROCESS/FINISH

SIZE
B

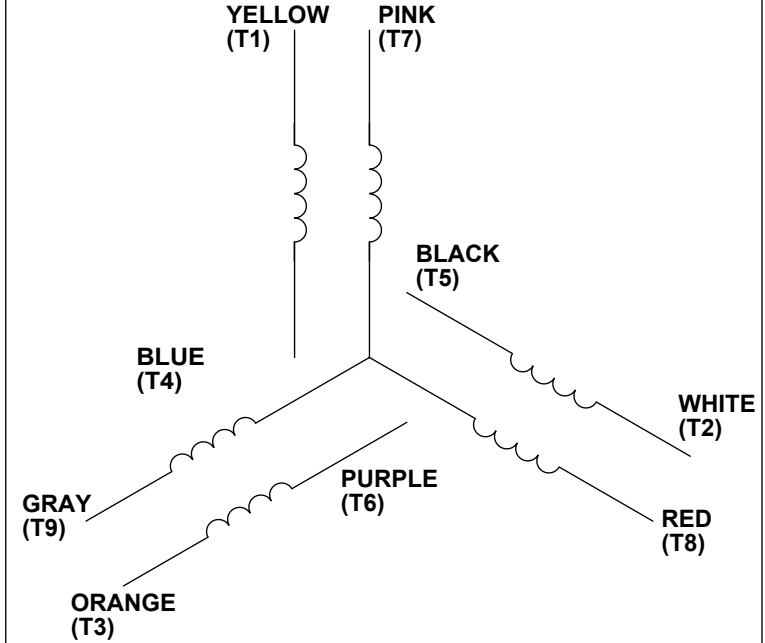
DRAWING NUMBER
028768

SHEET
1 OF 1

VIEW FROM OUTSIDE OF MOTOR AT SWITCH END.



LINE LEADS



VOLTAGE	L1	L2	L3	JOIN & INSULATE
HIGH	T1	T2	T3	(T4,T7) (T5,T8) (T6,T9)
LOW	T1,T7	T2,T8	T3,T9	T4,T5,T6

RBC PROPRIETARY AND CONFIDENTIAL INFORMATION
This document is the property of REGAL BELOIT CORPORATION ("RBC") including its subsidiaries and divisions and contains proprietary information of RBC. This document is loaned on the express condition that neither it nor the information contained therein shall be disclosed to others without the express written consent of RBC, and that the information shall be used by the recipient only as approved expressly by RBC. This document shall be returned to RBC upon its request. This document may be subject to certain restrictions under U.S. export control laws and regulations.

DRAWING REVISION C	REVISION BY PVR	DATE 04/23/14
ECO ECO-0049985	APPROVED BY JD	DATE 04/23/14
ECO DESCRIPTION UPDATED PER ECO-0049985		
<small>COPYRIGHT REGAL BELOIT AMERICA, INC. ALL RIGHTS RESERVED. PROPRIETARY AND CONFIDENTIAL INFORMATION - THIS DOCUMENT IS THE PROPERTY OF REGAL BELOIT AMERICA, INC. ("OWNER") AND CONTAINS OWNER'S PROPRIETARY INFORMATION. ANY PERSON, CORPORATION OR OTHER FIRM RECEIVING IT IS DEEMED, BY RECEIVING IT, TO AGREE THAT IT, AND/OR ANY PART OF IT, SHALL NOT BE DISCLOSED TO ANY PERSON, CORPORATION OR OTHER ENTITY, DUPLICATED, AND/OR USED, EXCEPT AS EXPRESSLY APPROVED IN WRITING IN ADVANCE BY OWNER. THIS DOCUMENT SHALL BE RETURNED TO OWNER UPON REQUEST. IT MAY BE SUBJECT TO CERTAIN RESTRICTIONS UNDER APPLICABLE EXPORT CONTROL LAWS AND REGULATIONS.</small>		

TOLERANCES UNLESS OTHERWISE SPECIFIED:			
DEC.	INCH	mm	ANGLE
.X	±0.1	[±2.5]	±0.5°
.XX	±0.01	[±0.25]	
.XXX	±0.005	[±0.127]	
.XXXX	±0.0005	[±0.0127]	
REMOVE BURRS & BREAK SHARP			
EDGES: .003/.015 [.076/.381]			
CORNER FILLETS: .02 [.51]			
MACHINED SURFACES: 125/3.2			
INCH <input checked="" type="checkbox"/> mm <input checked="" type="checkbox"/>			
mm SHOWN IN [BRACKETS]			

DRAWN BY LST
DATE 4/3/14
APPROVED BY
DATE
PROCESS/FINISH
THIRD ANGLE PROJECTION

Regal Beloit America, Inc.

DESCRIPTION	
LEAD ASSY	
EXT. WIRING DIA. 3 PH. W/O PROT.	
MATERIAL	
SIZE A	DRAWING NUMBER 00501052
SHEET 1 OF 1	



CERTIFICATION DATA SHEET

1051 CHEYENNE AVE.
 GRAFTON, WI 53024
 PH. 262-377-8810

CONN. DIAGRAM: 005010.52

CATALOG #: 117127.00

OUTLINE: 028768-575

MOUNTING: F1 ONLY

WINDING #: T634250 NR 8 A

TYPICAL MOTOR PERFORMANCE DATA

HP	KW	SYNC. RPM	F.L. RPM	FRAME	ENCLOSURE	KVA CODE	DESIGN
1/2&1/3	0.37&0.25	1800	1725&1425	56C	TENV	K	B

PH	Hz	VOLTS	AMPS	START TYPE	DUTY	INSL	S.F.	AMB°C
3	60/50	208-230/460&1190/380	1.7-1.6/.8&1.4/1.7	ACROSS THE LINE	CONTINUOUS	F4	1.15/1.15	40

FULL LOAD EFF:	78.5&880	3/4 LOAD EFF:	77.2	1/2 LOAD EFF:	72.1	GTD. EFF		ELEC. TYPE
FULL LOAD PF:	73.6&70	3/4 LOAD PF:	66.7	1/2 LOAD PF:	55.7	0		SQ CAGE IND RUN

F.L. TORQUE	LOCKED ROTOR AMPS	L.R. TORQUE	B.D. TORQUE	F.L. RISE°C
24 OZ-FT	11.2 / 5.6	84.8 OZ-FT	96 OZ-FT	400 %
		353 %		69

SOUND PRESSURE @ 3 FT.	SOUND POWER	ROTOR WK^2	MAX. WK^2	SAFE STALL TIME	STARTS / HOUR	APPROX. MOTOR WGT
0 DBA	10 DBA	0.09 LB-FT^2	0.1 LB-FT^2	10 SEC.	0	0 LBS.

*** SUPPLEMENTAL INFORMATION ***

DE BRACKET TYPE	ODE BRACKET TYPE	MOUNT TYPE	ORIENTATION	SEVERE DUTY	HAZARDOUS LOCATION	DRIP COVER	SCREENS	PAINT
C-FACE	STANDARD	ROUND	HORIZONTAL	FALSE	NONE	FALSE	NONE	NO PAINT

BEARINGS		GREASE	SHAFT TYPE	SPECIAL DE	SPECIAL ODE	SHAFT MATERIAL	FRAME MATERIAL
DE ODE							
BALL BALL							
6205 6205		POLYREX EM	STANDARD 56	NONE	NONE	303 STAINLESS (C-501)	ROLLED STEEL

THERMO-PROTECTORS				THERMISTORS	CONTROL	SPACE HEATERS
THERMOSTATS	PROTECTORS	WDG RTDS	BRG RTDS			
NONE	NOT	NONE	NONE	NONE	FALSE	NONE

* INVERTER TORQUE: NONE
 INV. HP SPEED RANGE: NONE

N ENCODER: NONE
 NONE NONE
 NONE NONE PPR

O BRAKE: NONE NONE
 NONE P/N NONE
 NONE NONE

T FT-LB NONE V NONE HZ
 S NONE



Motor Load Data								
Load	0%	25%	50%	75%	100%	115%	125%	LR
Current (Amps)	0.48	0.51	0.59	0.69	0.80	0.87	0.93	5.6
Torque (ft-lb)	0.00	95.7	191	287	383	6,875	479	1,353
RPM	1800	1785	1772	1759	1746	1,739	1729	0
Efficiency (%)		59.8	72.1	77.2	79.9	79.5	79.0	
P.F. (%)	16.1	39.1	55.7	66.7	73.6	76.2	78.7	0.0

Motor Speed Data						Information Block																					
	LR	Pull-Up	BD	Rated	Idle	HP	Sync. RPM	Frame	Enclosure	Construction	Voltage	Frequency	Design	LR Code letter	Service Factor	Temp Rise @ FL	Duty	Ambient	Elevation	Rotor/Shaft wk ²	Ref Wdg	Sound Pressure @ 1M	VFD Rating	Outline Dwg	Conn. Diag	Additional Specifications:	
Speed (RPM)	0	900	1656	1746	1800	0.5	1800	56	TENV	NA	208-230/460#190/380	60	B	K	1.15	69	CONT	40 °C	1,000	0.09	T634250 NR	0	NONE	028768-575	005010.52		
Current (Amps)	5.6	5.2	3.4	0.80	0.48																						
Torque (ft-lb)	1,353	1,243	1,532	383	0.00																						

