

# PRODUCT INFORMATION PACKET



Model No: C6D17EK3A

Catalog No: 118017.00

..1/2HP..1750RPM.S56C.TENV.180V...CONT.40C.1.0SF.RIGID C.C6D17EK3A.....DC EXPLOSION-  
PROOF.....

Explosion Proof



Regal and Leeson are trademarks of Regal Beloit Corporation or one of its affiliated companies.

©2018 Regal Beloit Corporation, All Rights Reserved. MC017097E





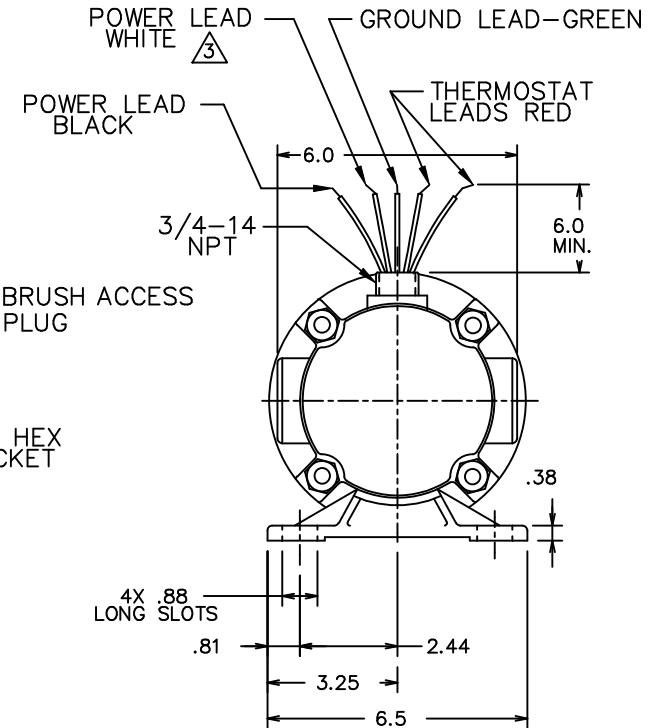
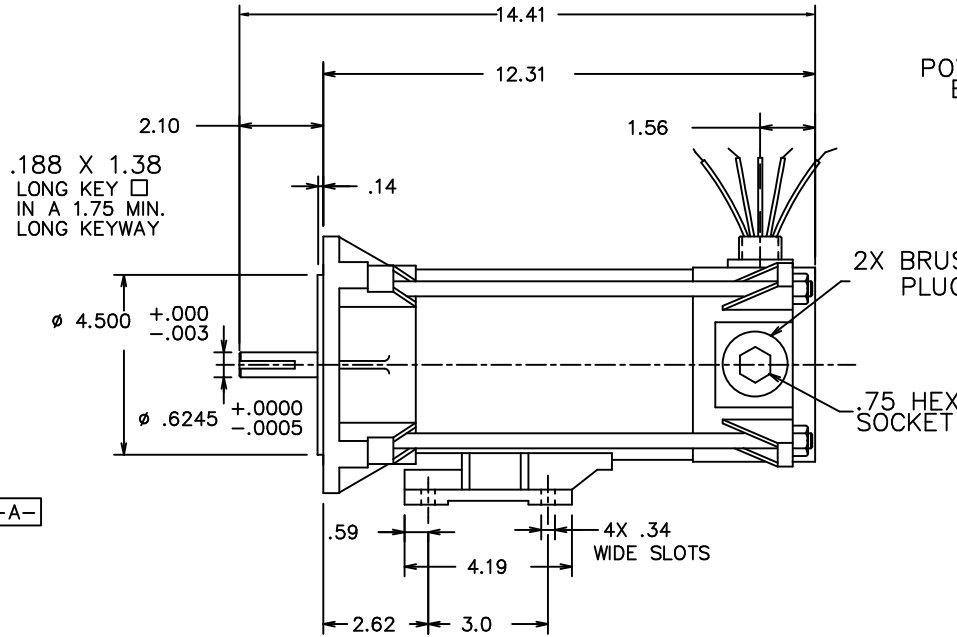
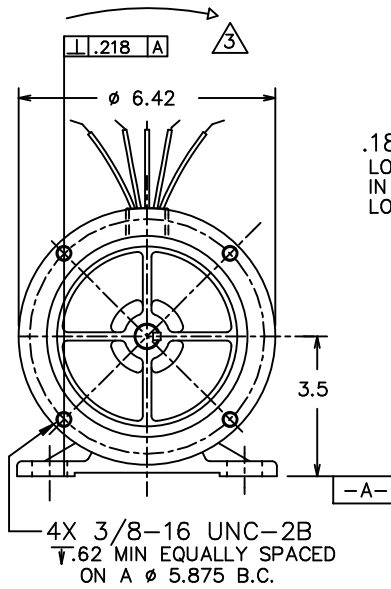
### Nameplate Specifications

Output HP	<b>0.50 Hp</b>	Output KW	<b>0.37 kW</b>
Voltage	<b>180 V</b>	Current	<b>2.5 A</b>
Speed	<b>1750 rpm</b>	Service Factor	<b>1</b>
Efficiency	<b>82.6 %</b>	Duty	<b>Continuous</b>
Insulation Class	<b>H</b>	Frame	<b>S56C</b>
Enclosure	<b>Totally Enclosed Non Ventilated</b>	Overload Protector	<b>Automatic</b>
Ambient Temperature	<b>40 °C</b>	UL	<b>Recognized</b>
CSA	<b>Y</b>	CE	<b>N</b>

### Technical Specifications

Rotation	<b>Reversible</b>	Mounting	<b>Rigid C base</b>
Overall Length	<b>14.41 in</b>	Shaft Diameter	<b>0.625 in</b>
Shaft Extension	<b>2.1 in</b>		
Outline Drawing	<b>034444</b>		

This is an uncontrolled document once printed or downloaded and is subject to change without notice. Date Created: 10/15/2018



VOLTAGE	180 VDC
HORSEPOWER	1/2
RPM	1750
AMPERES	2.5
CONTINUOUS DUTY	
PERMANENT MAGNET FIELD	
CLASS H INSULATION	
BALL BEARINGS	

NOTE:

1. ALL DIMENSIONS REFERENCE UNLESS TOLERANCED.
2. MOTOR PAINTED BLUE SATIN.
3. POSITIVE TO WHITE WILL CAUSE CW ROTATION.
4. UL LISTED(E75276) AND CSA CERTIFIED(LR 701080)

				TOLERANCES UNLESS OTHERWISE SPECIFIED		<b>LEESON ELECTRIC CORPORATION</b>	
				DECIMALS		TITLE	
				.00	± .01	DRAWN ADS 06/12/95	OUTLINE 56 FRAME
				.000	± .005	CH'K'D.	EXPLOSION PROOF DC MOTOR
				.0000	± .0005	APPR.	MAT'L.
01	OVERALL LENGTH WAS 15.97	WMM	10/7/97	FRACTIONS	± 1/64	SCALE	NTS
NO. REVISION				ANGLES		REF.	PS 5214
THIS DRAWING IN DESIGN AND DETAIL IS OUR PROPERTY AND MUST NOT BE USED EXCEPT IN CONNECTION WITH OUR WORK ALL RIGHTS OF DESIGN AND INVENTION ARE RESERVED				INCH/MM		FINISH	SIZE
						FMF C6D17EK3A	B
							DRAWING NO.
							034444