

PRODUCT INFORMATION PACKET



Model No: C6D17EK4A

Catalog No: 118018.00

..3/4HP..1750RPM.S56C.TENV.90V...CONT.40C.1.0SF.RIGID C.C6D17EK4A.....DC EXPLOSION-
PROOF.....

Explosion Proof



Regal and Leeson are trademarks of Regal Beloit Corporation or one of its affiliated companies.

©2018 Regal Beloit Corporation, All Rights Reserved. MC017097E





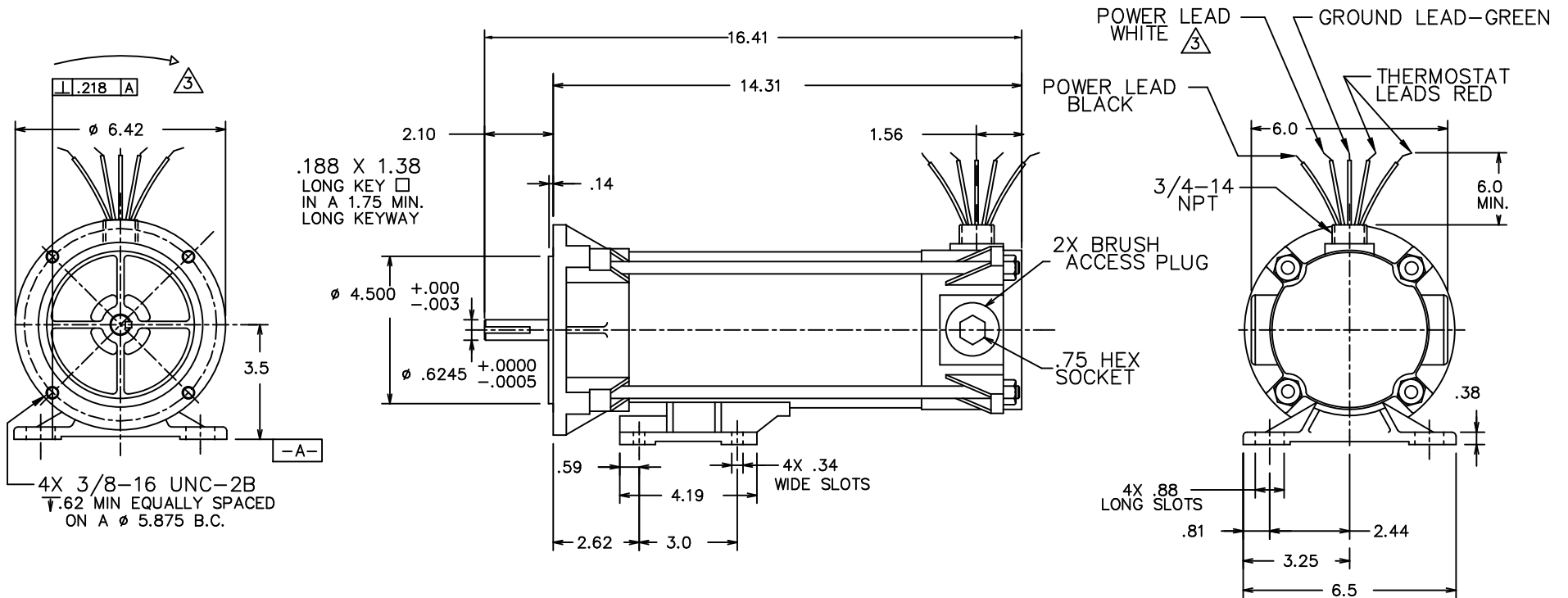
Nameplate Specifications

Output HP	0.75 Hp	Output KW	0.56 kW
Voltage	90 V	Current	7.1 A
Speed	1750 rpm	Service Factor	1
Efficiency	82 %	Duty	Continuous
Insulation Class	H	Frame	S56C
Enclosure	Totally Enclosed Non Ventilated	Overload Protector	Automatic
Ambient Temperature	40 °C	UL	Recognized
CSA	Y	CE	N

Technical Specifications

Rotation	Reversible	Mounting	Rigid C base
Overall Length	16.41 in	Shaft Diameter	0.625 in
Shaft Extension	2.1 in		
Outline Drawing	034443		

This is an uncontrolled document once printed or downloaded and is subject to change without notice. Date Created: 10/15/2018



VOLTAGE	90 VDC
HORSEPOWER	3/4
RPM	1750
AMPERES	7.1
CONTINUOUS DUTY	
PERMANENT MAGNET FIELD	
CLASS H INSULATION	
BALL BEARINGS	

NOTE:

1. ALL DIMENSIONS REFERENCE UNLESS TOLERANCED.
2. MOTOR PAINTED BLUE SATIN.
3. POSITIVE TO WHITE WILL CAUSE CW ROTATION.
4. UL LISTED(E75276) AND CSA CERTIFIED(LR 701080)

					TOLERANCES UNLESS OTHERWISE SPECIFIED		LEESON ELECTRIC CORPORATION	
					DECIMALS		DRAWN ADS 06/12/95	
					.00 ± .01		TITLE	
					.000 ± .005		CH'K'D.	
01 OVERALL LENGTH WAS 17.97					.0000 ± .0005		APPR.	
NO. REVISION					FRACTIONS ± 1/64		SCALE NTS	
BY DATE					ANGLES ± 1/2°		REF. PS 5151	
THIS DRAWING IN DESIGN AND DETAIL IS OUR PROPERTY AND MUST NOT BE USED EXCEPT IN CONNECTION WITH OUR WORK ALL RIGHTS OF DESIGN AND INVENTION ARE RESERVED					INCH/MM		FINISH	
					FMF C6D17EK4A		SIZE B	
							DRAWING NO. 034443	