

PRODUCT INFORMATION PACKET



Model No: C145K34FB3H

Catalog No: 120341.00

..3HP..3450RPM.145.TEFC.230V.1PH.60HZ.CONT.40C.1.0SF.RIGID.C145K34FB3H.....GENERAL
PURPOSE.NOT.....

Totally Enclosed Fan Cooled (TEFC)



Regal and Leeson are trademarks of Regal Beloit Corporation or one of its affiliated companies.

©2018 Regal Beloit Corporation, All Rights Reserved. MC017097E





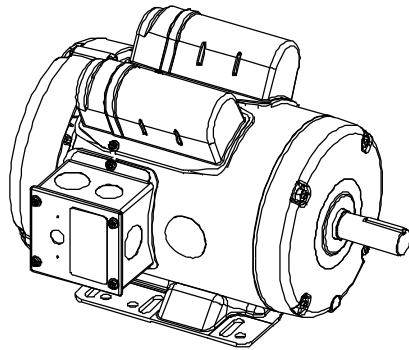
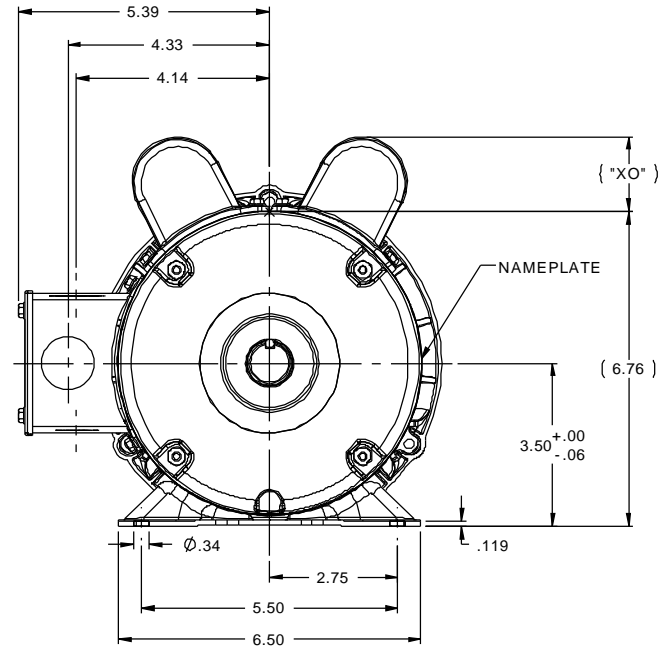
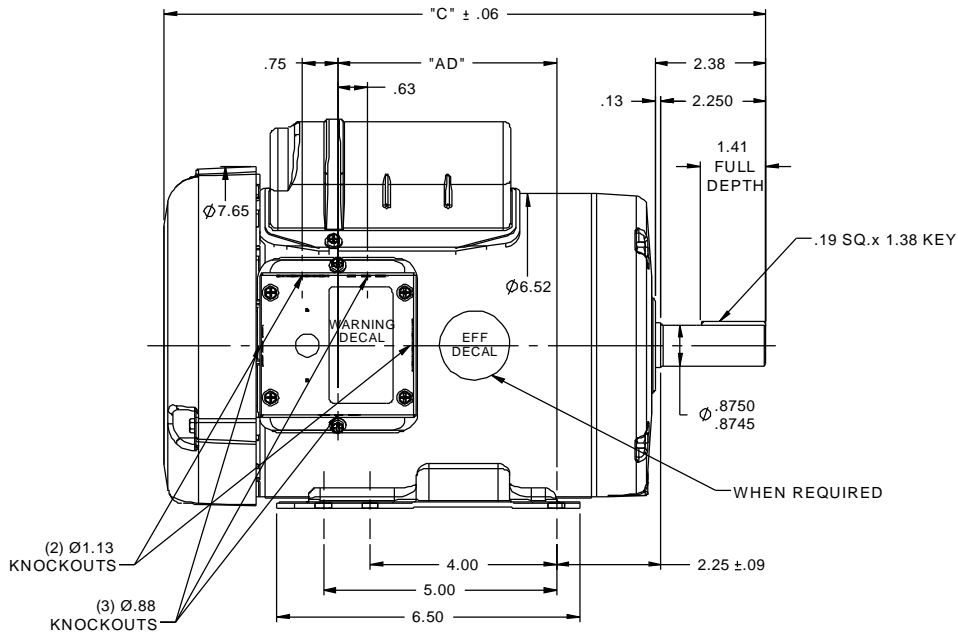
Nameplate Specifications

Output HP	3 Hp	Output KW	2.2 kW
Frequency	60 Hz	Voltage	230 V
Current	13.0 A	Speed	3450 rpm
Service Factor	1	Phase	1
Efficiency	81.5 %	Duty	Continuous
Insulation Class	F	Design Code	L
KVA Code	J	Frame	145T
Enclosure	Totally Enclosed Fan Cooled	Overload Protector	No
Ambient Temperature	40 °C	Drive End Bearing Size	6205
Opp Drive End Bearing Size	6203	UL	Recognized
CSA	Y	CE	N
IP Code	54		

Technical Specifications

Electrical Type	Capacitor Start Capacitor Run	Starting Method	Across The Line
Poles	2	Rotation	Selective Counterclockwise
Mounting	Rigid base	Motor Orientation	HORIZONTAL
Drive End Bearing	BALL	Opp Drive End Bearing	BALL
Frame Material	Rolled Steel	Shaft Type	T
Overall Length	14.43 in	Frame Length	8.50 in
Shaft Diameter	0.875 in	Shaft Extension	2.25 in
Assembly/Box Mounting	F1 ONLY		
Outline Drawing	028803-850C	Connection Diagram	005018.01

RBC PROPRIETARY AND CONFIDENTIAL INFORMATION
 This document is the property of REGAL BELOIT CORPORATION ("RBC") including its subsidiaries and divisions and contains proprietary information of RBC. This document is loaned on the express condition that neither the information contained therein shall be disclosed to others without the express written consent of RBC, and that the information shall be used by the recipient only as approved expressly by RBC. This document shall be returned to RBC upon its request. This document may be subject to certain restrictions under U.S. export control laws and regulations.



DASH NO.	"C"	"AD"	CAP DASH	"XO"
700	12.93	4.69	A	1.15
750	13.43	5.19	B	1.60
800	13.93	5.69	C	1.82
850	14.43	6.19		

NOTE:
 1) GASKETS THROUGHOUT

TOLERANCES UNLESS SPECIFIED		DEC INCHES		TITLE	FINISH	DRAWING NO	REV
X	±.1	XX	±.03				
XXX	±.005	XXXX	±.0005	MAT'L	GENERAL PURPOSE		
01	CORRECTED BASE LOCATION ECR 0035519	GS	3/5/13	CHK	LANG	±1/2°	
NO	REVISION	BY & DATE	CHK	LANG	±1/2°	FINISH	GENERAL PURPOSE
	THIRD ANGLE PROJECTION		RFP	PREV		SIZE	DRAWING NO
			NETWORK FILE NAME	028803		B	028803
							PAGE OF
							01



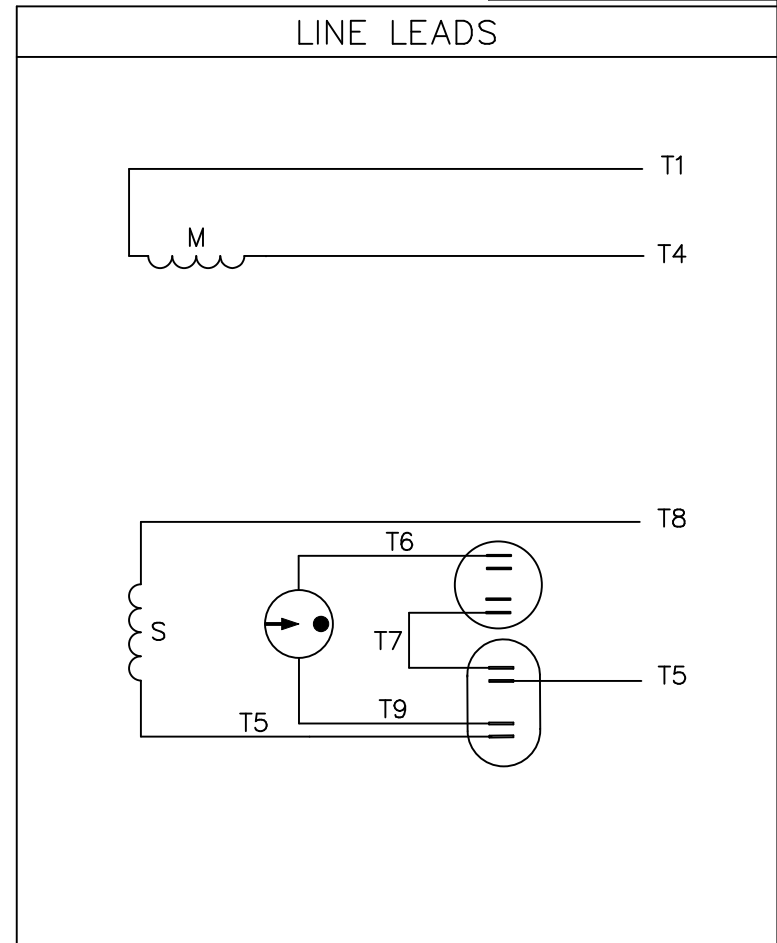
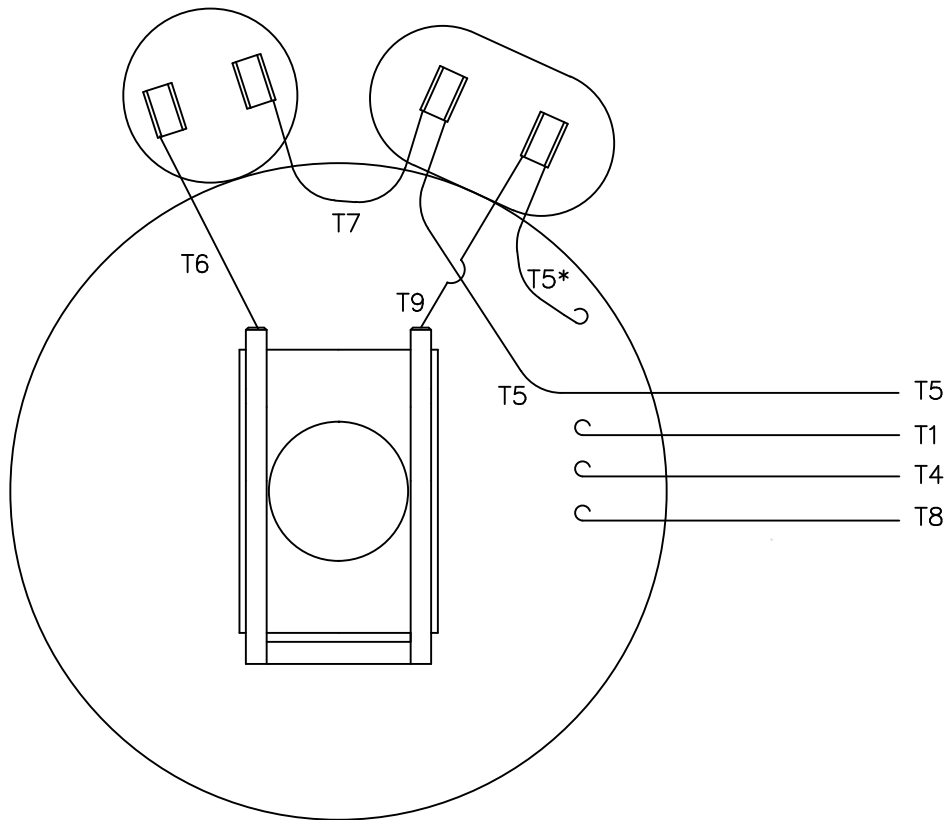
ELECTRIC MOTORS
 GEARMOTORS
 AND DRIVES

DRAWN KMM 10/04/07
 CHK
 APPR

SCALE 3:8
 REF 028589

PAGE OF

VIEW FROM OUTSIDE OF MOTOR AT SWITCH END.



ROTATION	L1	L2
FACING		
LEAD END		
C.C.W.	T1,T8	T4,T5
C.W.	T1,T5	T4,T8

* THIS LEAD MAY BE WHITE

NO.	REVISION	BY & DATE	CHK	TOLERANCES UNLESS SPECIFIED	
				DEC.	INCHES
				.X	±.1
20	ALTERNATE T5 LEAD MARKING WAS RED	RLW 7/22/02	KH	.XX	±.01
19	ADDED ALTERNATE T5 LEAD MARKING	RLW 5/31/02	KH	.XXX	±.005
18	REDRAWN ON CAD	DBT 06/24/97		.XXXX	±.0005
				ANG	±1/2°



ELECTRIC MOTORS
GEARMOTORS
AND DRIVES

DRAWN	ADH 02/19/74
CHK	WRK 02/20/74
APPD	JCW 02/20/74
SCALE	1=1
REF	
FMF	
PREV	

TITLE	EXTERNAL WIRING DIAGRAM TYPE "K" W/O PROTECTOR
MAT'L.	DECAL - 004018
FINISH	

THIS DRAWING IN DESIGN AND DETAIL IS OUR PROPERTY AND MUST NOT BE USED EXCEPT IN CONNECTION WITH OUR WORK ALL RIGHTS OF DESIGN AND INVENTION ARE RESERVED THIS IS AN ELECTRONICALLY GENERATED DOCUMENT - DO NOT SCALE THIS PRINT		RFP	CAD FILE	00501801	SIZE	DRAWING NO.	REV.
		DIST	BRF-NLV		A	005018-01	20

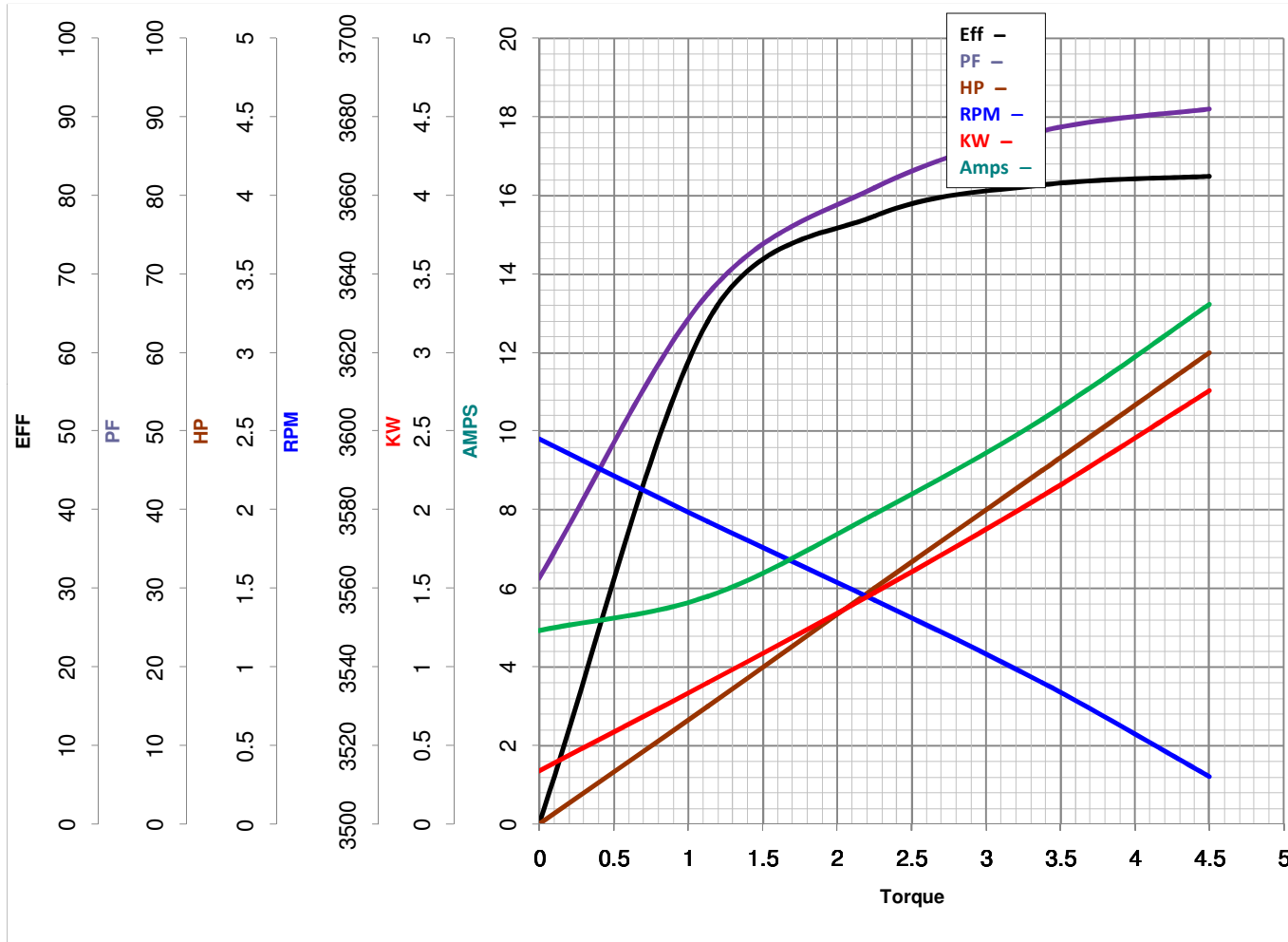


LEESON ELECTRIC CORPORATION
 TYPICAL PERFORMANCE CURVE for AC MOTOR

Model No 120341.00

Catalog No 120341.00

Curve at 230 Volts HP 3.00 PHASE 1
60 HZ
3 HP VOLTS 230
 HZ 60 RPM 3450



Torque in Lb.Ft

FL TORQUE 4.5 Lb.Ft
 BD TORQUE 13.5 Lb.Ft
 LR TORQUE 12.5 Lb.Ft

FL AMPS 13
 PU TORQUE 12.0 Lb.Ft
 LR AMPS 100

WINDING K632129-2

Date 4/23/2018