

PRODUCT INFORMATION PACKET



Model No: P145K34FK4E

Catalog No: 121060.00

3HP..3450RPM.145.TEFC./230V.1PH.60HZ.CONT.MANUAL.40C.1SF.RIGID C.GENERAL
PURPOSE.P145K34FK4E

Totally Enclosed Fan Cooled (TEFC)



Regal and Leeson are trademarks of Regal Beloit Corporation or one of its affiliated companies.

©2018 Regal Beloit Corporation, All Rights Reserved. MC017097E



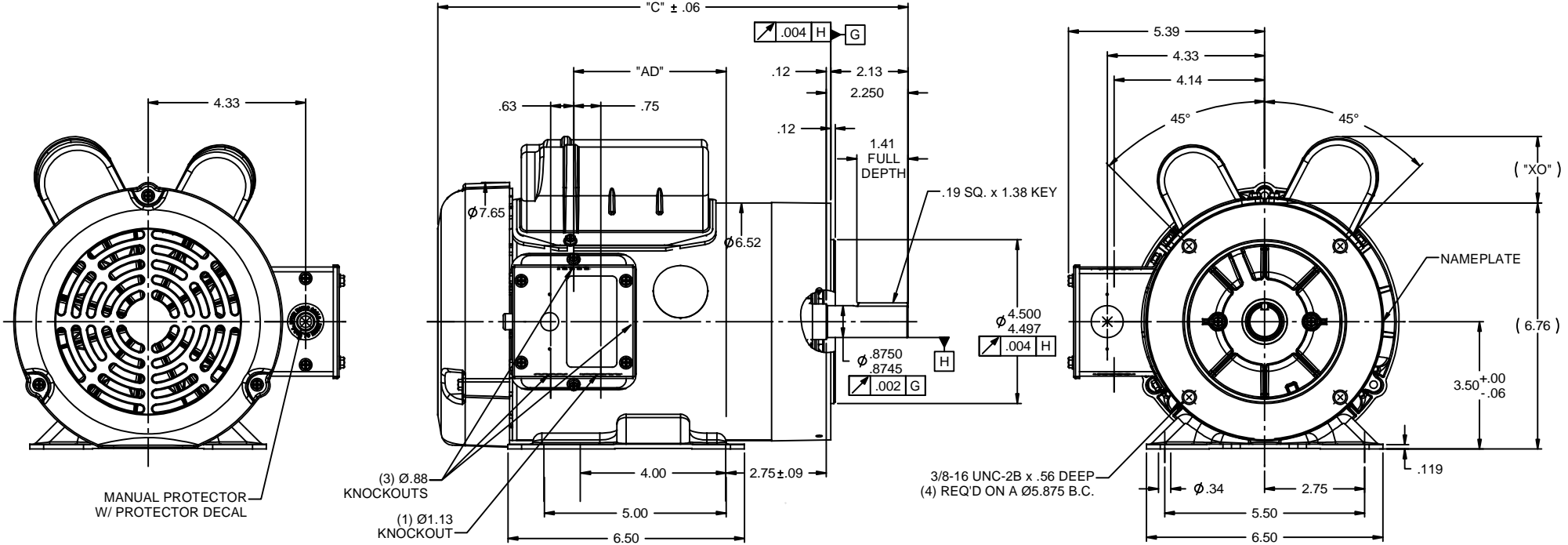


Nameplate Specifications

Output HP	3 Hp	Output KW	2.2 kW
Frequency	60 Hz	Voltage	230 V
Current	13.0 A	Speed	3450 rpm
Service Factor	1	Phase	1
Efficiency	81.5 %	Duty	Continuous
Insulation Class	F	Design Code	L
KVA Code	J	Frame	145TC
Enclosure	Totally Enclosed Fan Cooled	Overload Protector	Manual
Ambient Temperature	40 °C	Drive End Bearing Size	6205
Opp Drive End Bearing Size	6203	UL	Recognized (Not Protector)
CSA	N	CE	N
IP Code	54		

Technical Specifications

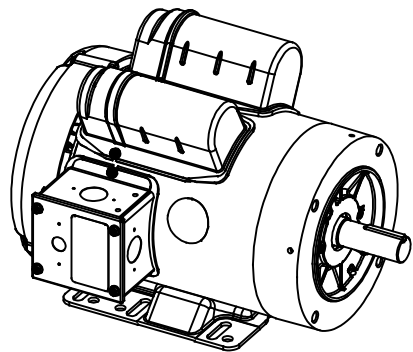
Electrical Type	Capacitor Start Capacitor Run	Starting Method	Across The Line
Poles	2	Rotation	Selective Counterclockwise
Mounting	Rigid base	Motor Orientation	HORIZONTAL
Drive End Bearing	BALL	Opp Drive End Bearing	BALL
Frame Material	Rolled Steel	Shaft Type	T
Overall Length	14.43 in	Frame Length	8.50 in
Shaft Diameter	0.875 in	Shaft Extension	2.25 in
Assembly/Box Mounting	F1 ONLY		
Outline Drawing	028804-850C	Connection Diagram	005056.03



MANUAL PROTECTOR
W/ PROTECTOR DECAL

(3) Ø.88
KNOCKOUTS
(1) Ø1.13
KNOCKOUT

3/8-16 UNC-2B x .56 DEEP
(4) REQ'D ON A Ø5.875 B.C.

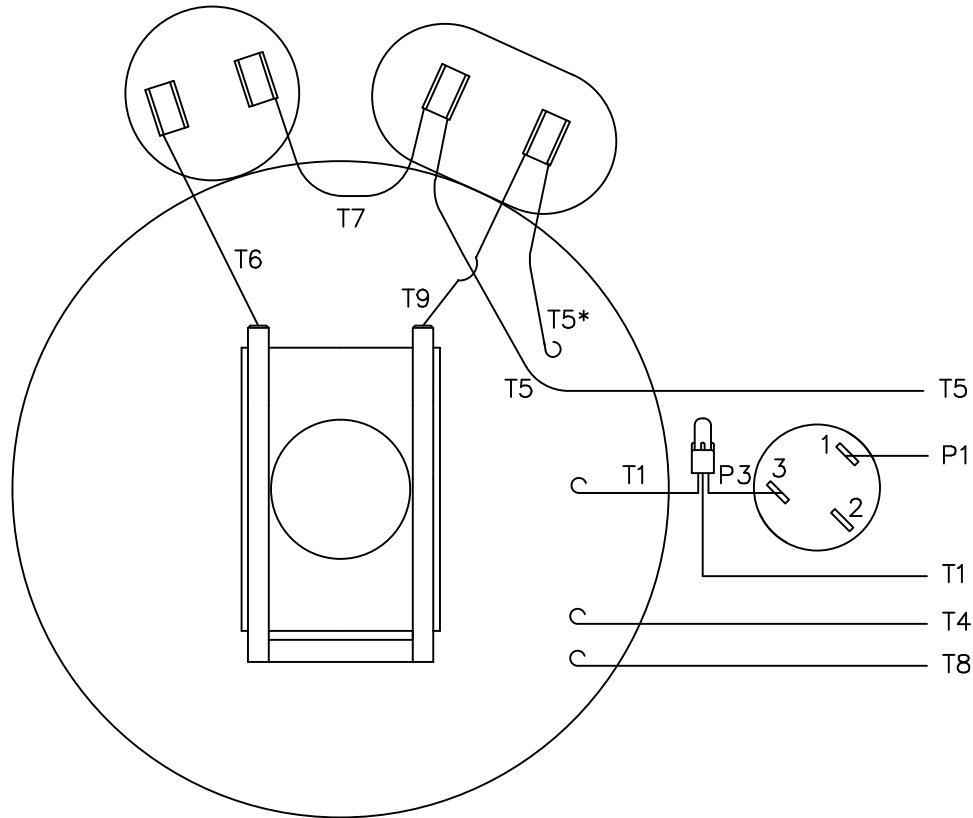


DASH NO.	"C"	"AD"	CAP DASH	"XO"
700	12.93	4.19	A	1.15
750	13.43	4.69	B	1.60
800	13.93	5.19	C	1.82
850	14.43	5.69		

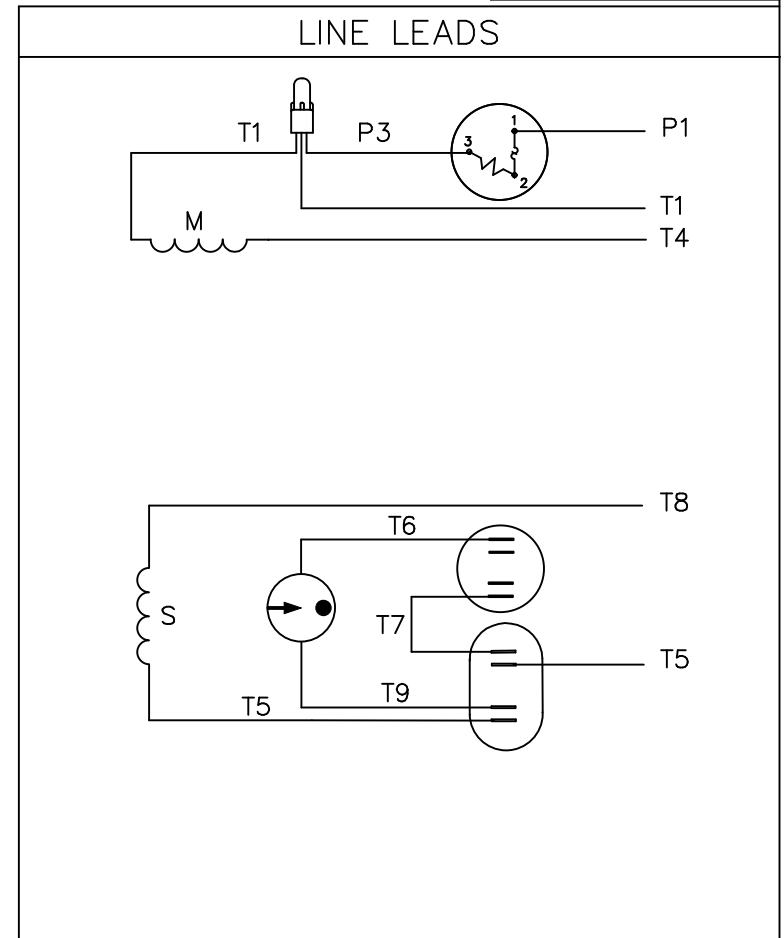
NOTE:
1) GASKETS THROUGHOUT

TOLERANCES UNLESS SPECIFIED		LEESON ELECTRIC MOTORS GEARMOTORS AND DRIVES		DRAWN KMM 10/11/07	
DEC	INCHES			CHK	
X	±.1			APPR	
XX	±.03	TITLE	OUTLINE - 140TC FRAME	SCALE	3:8
XXX	±.005	REF	TEFC - RIGID "C" FACE	REF	028590
XXXX	±.0005	MATL		FMF	121060.00
NO	REVISION	BY & DATE	CHK ANG ±1/2"	FINISH	PAGE OF
	THIRD ANGLE PROJECTION		RFP	PREV	SIZE DRAWING NO
			NETWORK FILE NAME		B 028804
					REV

VIEW FROM OUTSIDE OF MOTOR AT SWITCH END.



* THIS LEAD MAY BE WHITE



ROTATION FACING LEAD END	L1	L2	JOIN
C.C.W.	P1	T4,T5	T1,T8
C.W.	P1	T4,T8	T1,T5

			TOLERANCES UNLESS SPECIFIED		LEESON	ELECTRIC MOTORS GEARMOTORS AND DRIVES	DRAWN WLW 08/30/76		
			DEC.	INCHES			CHK WRK 09/24/76		
			.X	±.1			APPD		
08	ALTERNATE T5 LEAD MARKING WAS RED	RLW 8/6/02	.XX	±.01	TITLE	EXTERNAL WIRING DIAGRAM TYPE "K" W/ PROTECTOR	SCALE 1=1		
07	ADDED ALTERNATE T5 LEAD MARKING	RLW 5/31/02	KH	.XXX ±.005			REF		
06	REDRAWN TO CAD	DBT 5/31/02		.XXXX ±.0005	MAT'L.	DECAL - 004015	FMF 6K17FB4		
NO.	REVISION	BY & DATE	CHK	ANG ±1/2°	FINISH		PREV		
THIS DRAWING IN DESIGN AND DETAIL IS OUR PROPERTY AND MUST NOT BE USED EXCEPT IN CONNECTION WITH OUR WORK ALL RIGHTS OF DESIGN AND INVENTION ARE RESERVED THIS IS AN ELECTRONICALLY GENERATED DOCUMENT - DO NOT SCALE THIS PRINT			RFP		CAD FILE	00505603	SIZE A	DRAWING NO. 005056-03	REV. 08
			DIST	BRF-NLV					

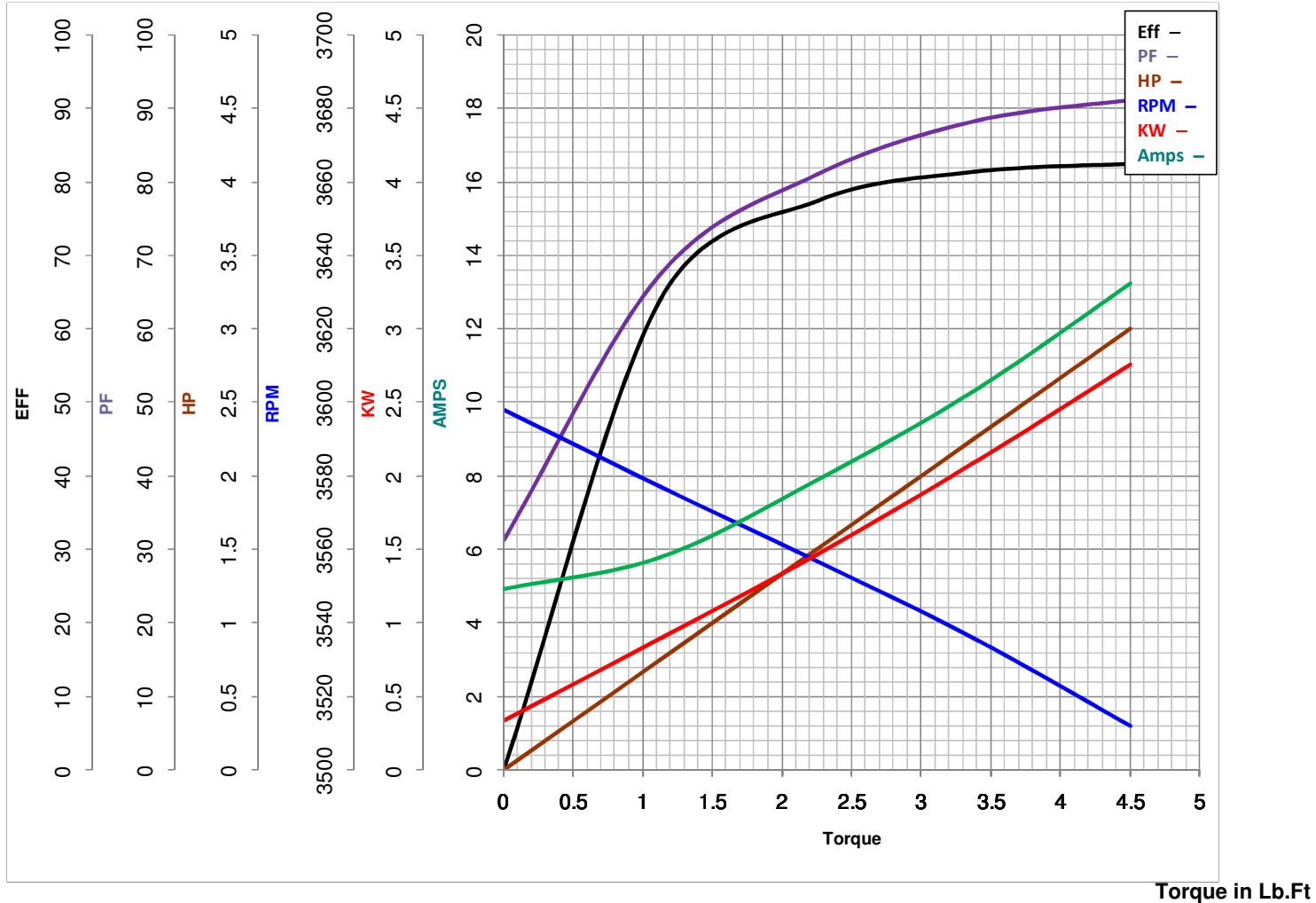


LEESON ELECTRIC CORPORATION
 TYPICAL PERFORMANCE CURVE for AC MOTOR

Curve at 230 Volts HP 3.00 PHASE 1
60 HZ
3 HP VOLTS 230
 HZ 60 RPM 3450

Model No 121060.00

Catalog No 121060.00



FL TORQUE	<u>4.5</u>	Lb.Ft	FL AMPS	<u>13</u>	
BD TORQUE	<u>13.5</u>	Lb.Ft	PU TORQUE	<u>12.0</u>	Lb.Ft
LR TORQUE	<u>12.5</u>	Lb.Ft	LR AMPS	<u>100</u>	
WINDING	K632129-2		Date	<u>4/12/2018</u>	