

# PRODUCT INFORMATION PACKET



Model No: C145T34FK39C  
Catalog No: 121673.00  
..2HP..3490RPM.145.TEFC.230/460V.3PH.60HZ.CONT.40C.1.25SF.RIGID  
C.C145T34FK39C.....WATTS AVER.AUTOMATIC.....  
Totally Enclosed Fan Cooled (TEFC)



Regal and Leeson are trademarks of Regal Beloit Corporation or one of its affiliated companies.  
©2018 Regal Beloit Corporation, All Rights Reserved. MC017097E



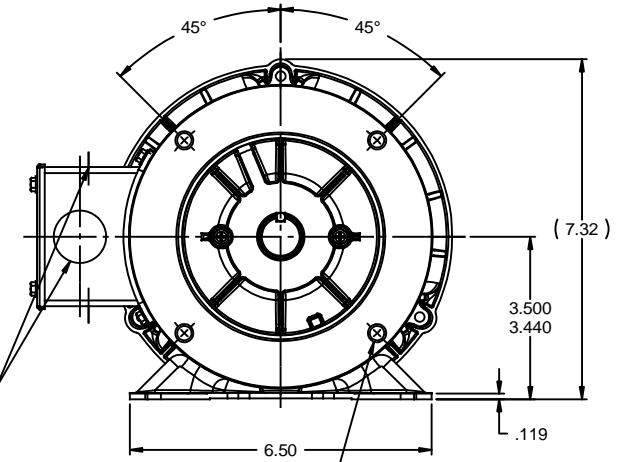
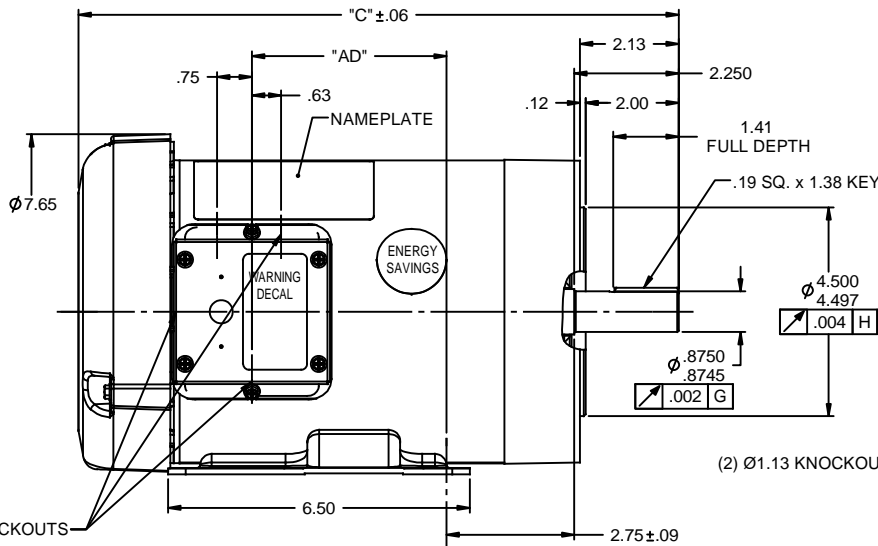
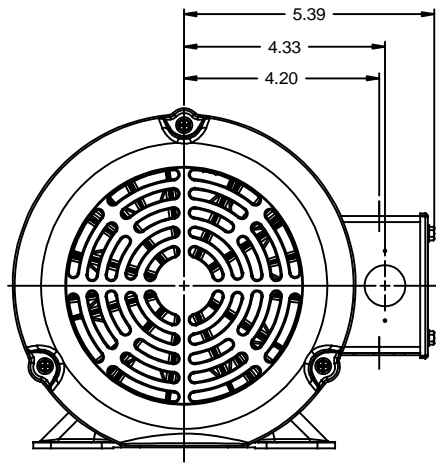


**Nameplate Specifications**

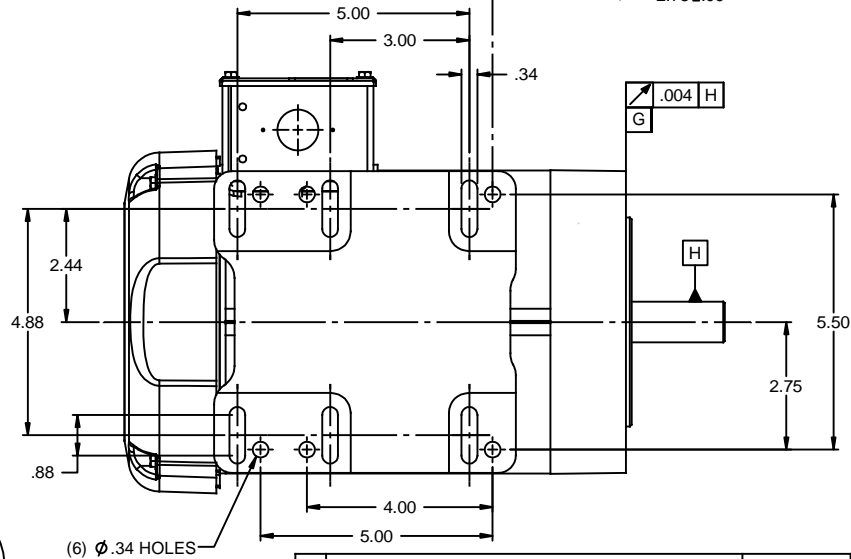
Output HP	<b>2 Hp</b>	Output KW	<b>1.5 kW</b>
Frequency	<b>60 Hz</b>	Voltage	<b>230/460 V</b>
Current	<b>4.8/2.4 A</b>	Speed	<b>3490 rpm</b>
Service Factor	<b>1.25</b>	Phase	<b>3</b>
Efficiency	<b>85.5 %</b>	Duty	<b>Continuous</b>
Insulation Class	<b>F</b>	Design Code	<b>B</b>
KVA Code	<b>L</b>	Frame	<b>145TC</b>
Enclosure	<b>Totally Enclosed Fan Cooled</b>	Overload Protector	<b>No</b>
Ambient Temperature	<b>40 °C</b>	Drive End Bearing Size	<b>6205</b>
Opp Drive End Bearing Size	<b>6203</b>	UL	<b>Recognized</b>
CSA	<b>Y</b>	CE	<b>Y</b>
IP Code	<b>43</b>		

**Technical Specifications**

Electrical Type	<b>Squirrel Cage Induction Run</b>	Starting Method	<b>Across The Line</b>
Poles	<b>2</b>	Rotation	<b>Reversible</b>
Mounting	<b>Rigid base</b>	Motor Orientation	<b>HORIZONTAL</b>
Drive End Bearing	<b>BALL</b>	Opp Drive End Bearing	<b>BALL</b>
Frame Material	<b>Rolled Steel</b>	Shaft Type	<b>T</b>
Overall Length	<b>13.42 in</b>	Frame Length	<b>7.50 in</b>
Shaft Diameter	<b>0.875 in</b>	Shaft Extension	<b>2.25 in</b>
Assembly/Box Mounting	<b>F1 ONLY</b>		
Outline Drawing	<b>028911-750</b>	Connection Diagram	<b>005010.20</b>



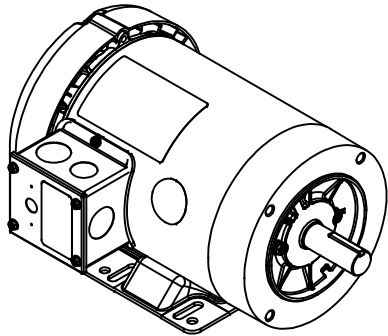
(3) Ø.88 KNOCKOUTS



(6) Ø.34 HOLES

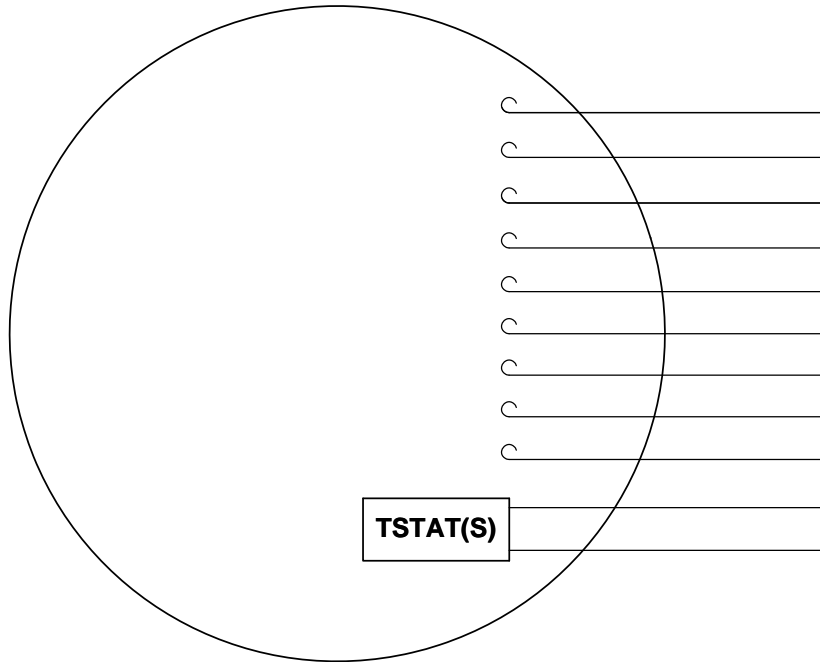
NOTE:  
1) GASKETS THROUGHOUT

DASH NO.	"C"	"AD"
600	11.92	3.19
650	12.42	3.69
700	12.92	4.19
750	13.42	4.69
800	13.92	5.19



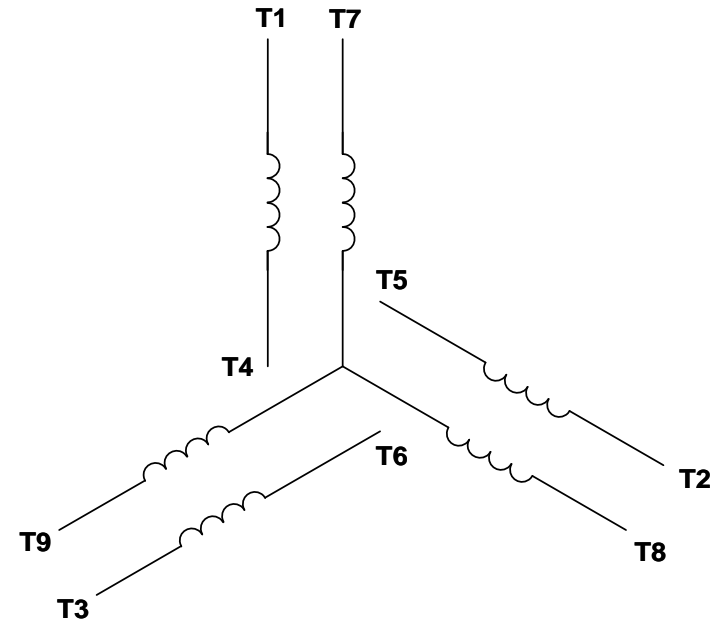
TOLERANCES UNLESS SPECIFIED		LEESON ELECTRIC MOTORS GEARMOTORS AND DRIVES		DRAWN GRB 12/05/08	
DEC	INCHES			CHK DJ 12/05/08	
x	±.1			APPR DJ 12/05/08	
.xx	±.03	TITLE OUTLINE - 140TC/56HCZ FRAME		SCALE 3:8	
.xxx	±.005	TEFC - RIGID "C" FACE		REF 028566	
.xxx	±.0005	MAT'L		FMF 120485.00	
01	ADDED BOTTOM VIEW	PG	5/19/2010	PAGE 1 OF 1	
REVISION		BY & DATE		FINISH GENERAL PURPOSE	
THIRD ANGLE PROJECTION		CHK	ANG ±1/2°	RFP 12/05/08	
		PREV		SIZE	DRAWING NO
		NETWORK FILE NAME 028911		B	028911
				REV 01	

VIEW FROM OUTSIDE OF MOTOR AT SWITCH END. Uncontrolled Copy



- T1
- T2
- T3
- T4
- T5
- T6
- T7
- T8
- T9
- RED(P1)
- RED(P2)

**LINE LEADS**



VOLTAGE	L1	L2	L3	JOIN & INSULATE
HIGH	T1	T2	T3	(T4,T7) (T5,T8) (T6,T9)
LOW	T1,T7	T2,T8	T3,T9	T4,T5,T6

DRAWING REVISION **G** REVISION BY **MVG** DATE **04/05/2017**

ECO **ECO-0121253** APPROVED BY **SM** DATE **04/05/2017**

ECO DESCRIPTION  
**ADDED P1 & P2 FOR TSTAT**

COPYRIGHT REGAL BELOIT AMERICA, INC. ALL RIGHTS RESERVED.  
PROPRIETARY AND CONFIDENTIAL INFORMATION - THIS DOCUMENT IS THE PROPERTY OF  
REGAL BELOIT AMERICA, INC. ("OWNER") AND CONTAINS OWNER'S PROPRIETARY  
INFORMATION. ANY PERSON, CORPORATION OR OTHER FIRM RECEIVING IT IS DEEMED,  
BY RECEIVING IT, TO AGREE THAT IT, AND/OR ANY PART OF IT, SHALL NOT BE DISCLOSED  
TO ANY PERSON, CORPORATION OR OTHER ENTITY, DUPLICATED, AND/OR USED, EXCEPT  
AS EXPRESSLY APPROVED IN WRITING IN ADVANCE BY OWNER. THIS DOCUMENT SHALL  
BE RETURNED TO OWNER UPON REQUEST. IT MAY BE SUBJECT TO CERTAIN  
RESTRICTIONS UNDER APPLICABLE EXPORT CONTROL LAWS AND REGULATIONS.

TOLERANCES UNLESS OTHERWISE SPECIFIED:

DEC.	INCH	mm	ANGLE
.X	±0.1	[±2.5]	±0.5°
.XX	±0.01	[±0.25]	
.XXX	±0.005	[±0.127]	
.XXXX	±0.0005	[±0.0127]	

**REMOVE BURRS & BREAK SHARP EDGES: .003/.015 [.076/.381] X 45°**  
**CORNER FILLETS: R.02 [.51]**  
**MACHINED SURFACES: 125/3.2 INCH/mm**  
mm SHOWN IN [BRACKETS]

DRAWN BY **DBT 12/16/97**

DATE

APPROVED BY **KH 12/17/97**

DATE

REFERENCE

THIRD ANGLE PROJECTION

**REGAL**™ Regal Beloit America, Inc.

DESCRIPTION  
**CONN DIAGRAM-EXTERNAL**  
**3 PHASE WITH PROTECTOR**

MATERIAL **DECAL - 004014 (TSTAT) - 080582**

PROCESS/FINISH **STOCK**

SIZE **A** DRAWING NUMBER **00501020** SHEET **1 OF 1**



P.O. BOX 8003  
WAUSAU, WI 54401-8003  
PH. 715-675-3311

DATA VOLTS: 460

CERTIFICATION DATA SHEET

CONN. DIAGRAM: 005010.20  
OUTLINE: 028911-750  
WINDING: T632174

FR 3

CAT #: 121673.00

TYPICAL MOTOR PERFORMANCE DATA

HP	KW	SYNC RPM	FL RPM	FRAME	ENCLOSURE	TYPE	KVA CODE	DESIGN	
2	1.5	3600	3511	145TC	TEFC	TFR	L	B	
PH	HZ	VOLTS	AMPS	START TYPE	DUTY	INSL	S.F.	AMB	ELEV.
3	60/50	230/460#190/380	4.9/2.45#4.4/2.2	ACROSS THE LINE	CONT	F	1.15	40	3300
	F.L. EFF	87.1	3/4 LD EFF	86.7	1/2 LD EFF	85.5	GTD EFF		ELECT. TYPE
	F.L. PF	88.4	3/4 LD PF	82.1	1/2 LD PF	72.2	0.0		SO CAGE IND RUN
	F.L. TORQUE	LR AMPS @ 460 V	L.R. TORQUE		B.D. TORQUE		F.L. RISE (°C)		
	3.0 LB-FT	26.0	10.8 LB-FT	360%	13.0 LB-FT	433%	46		
	PRESSURE @ 3 DBA	POWER	ROTOR WK²	MAX. LOAD WK²	SAFE STALL TIME	STARTS/HOUR	MOTOR WGT		
	0 DBA	9 DBA	0.08 LB-FT²	0.1 LB-FT²	10 SEC.	0	0 LB.		

\*\*\* SUPPLEMENTAL INFORMATION \*\*\*

DE BRACKET TYPE	ODE BRACKET TYPE	MOUNT TYPE	MOTOR ORIENTATION	SEVERE DUTY	HAZARDOUS LOCATION	DRIIP COVER	SCREENS	PAINT
C-FACE	STANDARD	RIGID	HORIZONTAL	NO	NONE	NO	NONE	N - LEESON WATTS
BEARINGS DE	GREASE	SHAFT TYPE	SPECIAL DE	SPECIAL ODE	SHAFT MATERIAL	FRAME MATERIAL		
BALL BALL 6205	POLYREX EM 6203	T	NONE	NONE	1144 STRESSPROOF (C-223)	ROLLED STEEL		

THERMOSTATS TSTATS (N/C)	PROTECTORS	WDG RTD's	BRG RTD's	THERMISTORS	CONTROL	SPACE HEATERS
	NOT	NONE	NONE	NONE	FALSE	NA
R1 (ohms/ph)	R2 (ohms/ph)	X1 (ohms/ph)	X2 (ohms/ph)	Xm (ohms/ph)	VIBRATION (in/sec)	FLOAT ODE
0	0	0	0	0	0.080	

* N O T E S *	INVERTER TORQUE: NONE INV. HP SPEED RANGE: NONE
	ENCODER: NONE
	BRAKE: NONE
	FT-LB: NA
	VOLTAGE: NONE
	HZ: NONE

DATE: 2/15/2018	UL: Y-(LEESON UL REC)
-----------------	-----------------------

Data Sheet

Date: 2/15/2018

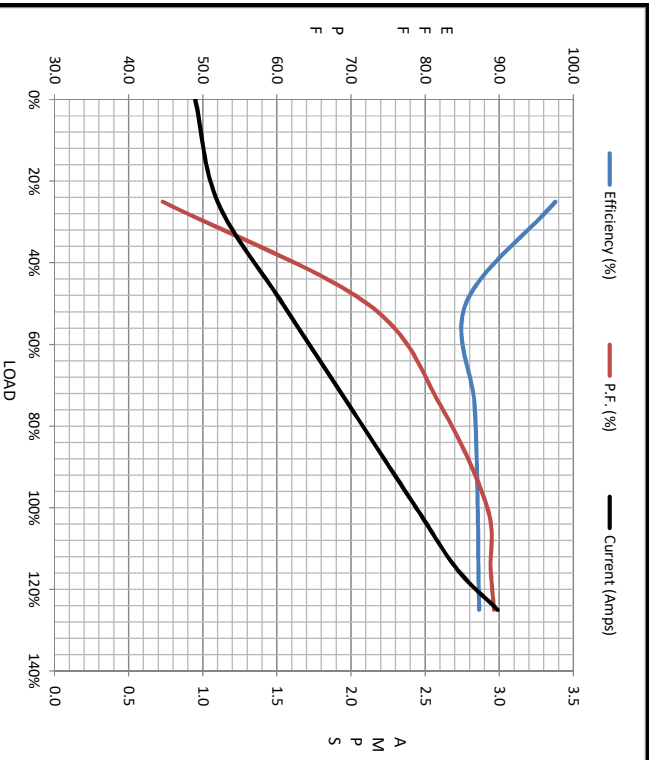
121673.00



Data @ 460 V

Motor Load Data								
Load	0%	25%	50%	75%	100%	115%	125%	LR
Current (Amps)	0.95	1.10	1.54	1.99	2.44	2.72	2.99	26.0
Torque (ft-lb)	0.00	0.75	1.50	2.25	3.0	3.4	3.8	10.8
RPM	3600	3581	3555	3533	3511	3501	3487	0
Efficiency (%)		97.6	85.5	86.7	87.1	87.2	87.3	
P.F. (%)	16.8	44.6	72.2	82.1	88.4	88.9	89.3	0.0

Motor Speed Data						Information Block																					
Speed (RPM)	LR	Pull-Up	BD	Rated	Idle	HP	Sync. RPM	Frame	Enclosure	Construction	Voltage	Frequency	Design	LR Code letter	Service Factor	Temp Rise @ FL	Duty	Ambient	Elevation	Rotor/Shaft wk <sup>2</sup>	Ref Wdg	Sound Pressure @ 1M	VFD Rating	Outline Dwg	Conn. Diag	Additional Specifications:	
0		200	2300	3511	3600	2.0	3600	140	TEFC	TFR	230/460#190/380	60	A	L	1.15	46	CONT	40	1,000	0.08	FR	0	NONE	028911-750	005010.20		
Current (Amps)	26.0	23.9	15.6	2.44	0.95																						
Torque (ft-lb)	10.8	10.5	13.0	3.0	0.00																						



EQUIV CKT (OHMS / PHASE)				
R1	R2	X1	X2	Xm
0.0000	0.0000	0.0000	0.0000	0.0000

