

PRODUCT INFORMATION PACKET



Model No: C145T17WK31A

Catalog No: 121871.00

..1 1/2HP..1750RPM.145.TEFC.230/460V.3PH.60HZ.CONT.40C.1.15SF.RIGID
C.C145T17WK31A.....WASHGUARD.NOT.....

General Purpose



Regal and Leeson are trademarks of Regal Beloit Corporation or one of its affiliated companies.

©2018 Regal Beloit Corporation, All Rights Reserved. MC017097E



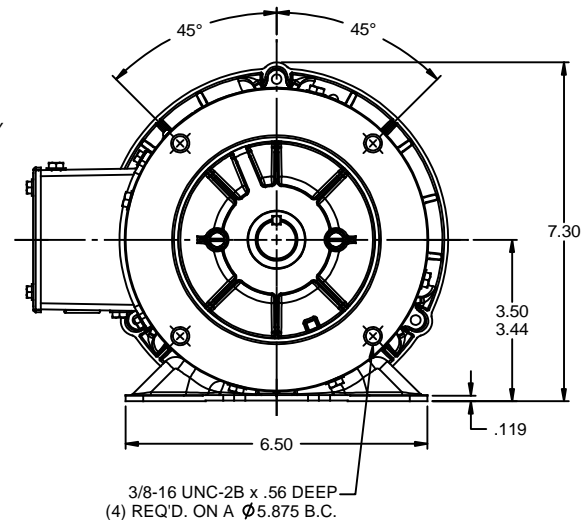
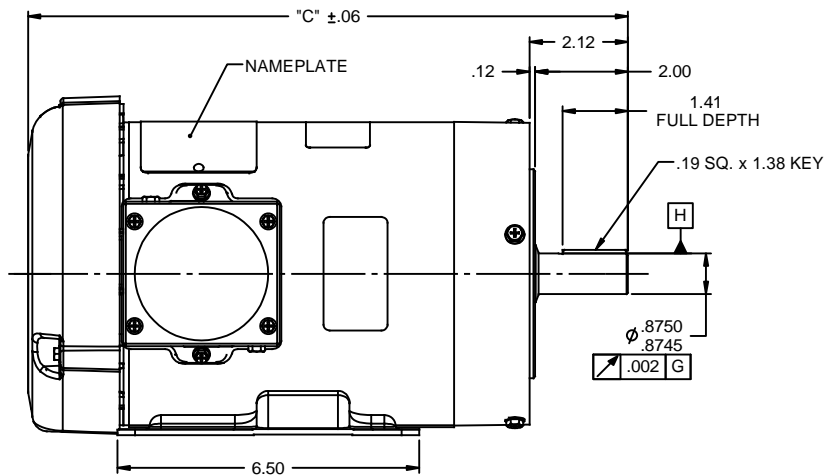
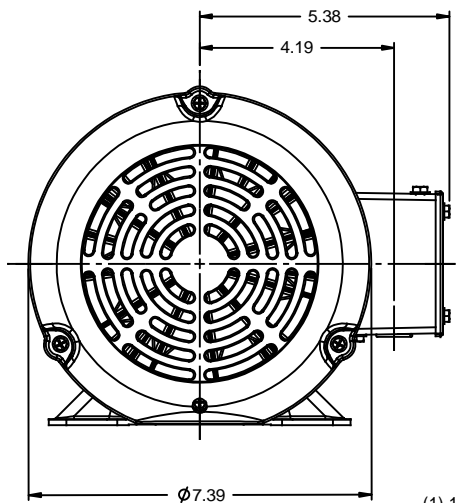


Nameplate Specifications

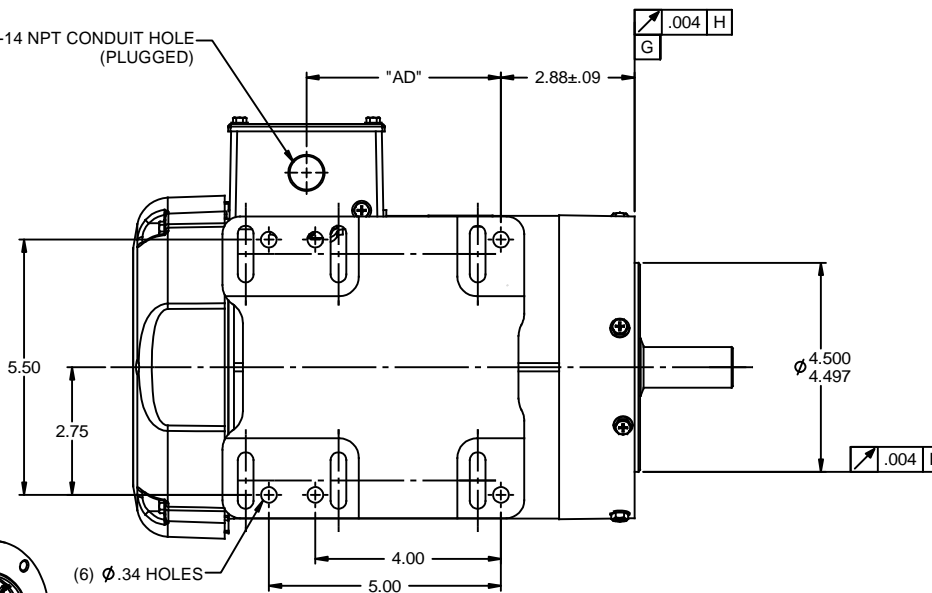
Output HP	1.50 Hp	Output KW	1.1 kW
Frequency	60 Hz	Voltage	230/460 V
Current	4.8/2.4 A	Speed	1750 rpm
Service Factor	1.15	Phase	3
Efficiency	86.5 %	Duty	Continuous
Insulation Class	F	Design Code	B
KVA Code	L	Frame	145TC
Enclosure	Totally Enclosed Fan Cooled	Overload Protector	No
Ambient Temperature	40 °C	Drive End Bearing Size	6205
Opp Drive End Bearing Size	6203	UL	Recognized
CSA	Y	CE	Y
IP Code	43		

Technical Specifications

Electrical Type	Squirrel Cage Induction Run	Starting Method	Across The Line
Poles	4	Rotation	Reversible
Mounting	Rigid base	Motor Orientation	HORIZONTAL
Drive End Bearing	BALL	Opp Drive End Bearing	BALL
Frame Material	Rolled Steel	Shaft Type	T
Overall Length	13.68 in	Frame Length	7.75 in
Shaft Diameter	0.875 in	Shaft Extension	2.25 in
Assembly/Box Mounting	F1 ONLY		
Outline Drawing	607-0003-775	Connection Diagram	005010.01



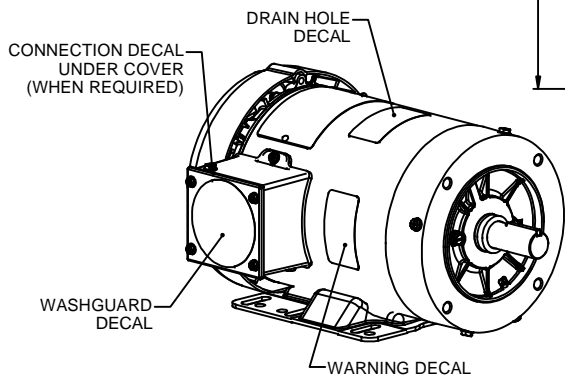
(1) 1/2-14 NPT CONDUIT HOLE (PLUGGED)



WASHGUARD MOTOR

- SPECIAL FEATURES:
1. SHAFT SEALS & V-RING.
 2. PLUGGED DRAIN HOLES IN ENDBELLS & CONDUIT BOX.
 3. BUNA-N GASKETS THROUGHOUT.
 4. STAINLESS STEEL SHAFT, HARDWARE & NAMEPLATE.

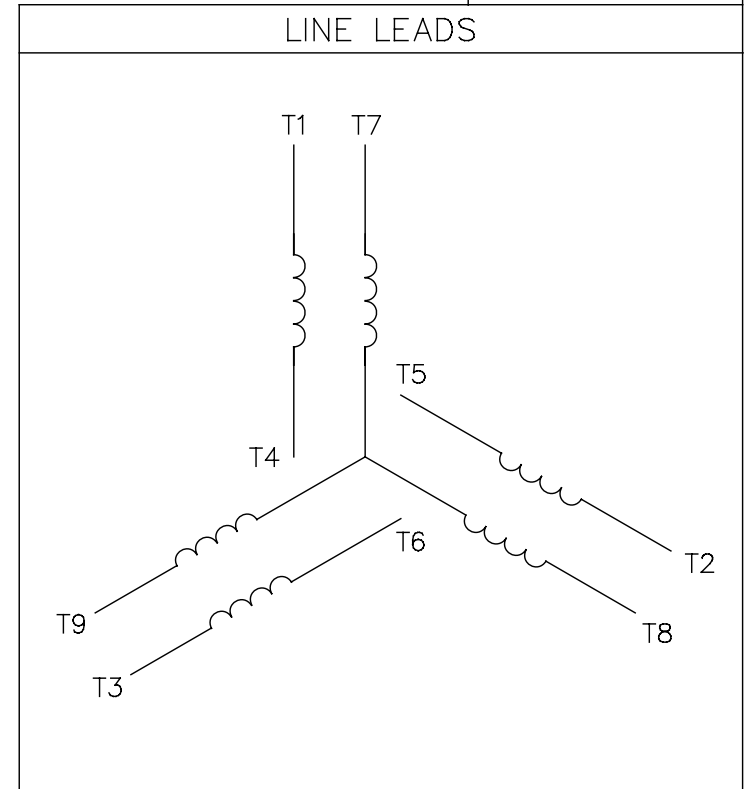
DASH NO.	"C"	"AD"
700	12.93	4.19
750	13.43	4.69
775	13.68	4.94
800	13.93	5.19
850	14.43	5.69



TOLERANCES UNLESS SPECIFIED		TITLE	ELECTRIC MOTORS GEARMOTORS AND DRIVES	DRAWN PG 02/01/11			
DEC	INCHES				CHK		
x	±.1	OUTLINE - 140TC FRAME TEFC - RIGID "C" FACE MATL WASHGUARD	LEESON	APPR			
.xx	±.03			SCALE 3:8			
.xxx	±.005			REF 028811			
.xxxX	±.0005			FMF 121867.00			
NO	REVISION	BY & DATE	CHK ANG ±1/2"	FINISH	PAGE OF		
	THIRD ANGLE PROJECTION		RFP	PREV	SIZE B	DRAWING NO 607-0003	REV
			NETWORK FILE NAME 607-0003				

005010-01

VIEW FROM OUTSIDE OF MOTOR AT SWITCH END.



VOLTAGE	L1	L2	L3	JOIN & INSULATE
HIGH	T1	T2	T3	(T4,T7) (T5,T8) (T6,T9)
LOW	T1,T7	T2,T8	T3,T9	T4,T5,T6

				TOLERANCES UNLESS SPECIFIED		REGAL ™ Regal Beloit America, Inc.		DRAWN RDW 04/12/02			
				DEC.	INCHES			CHK			
				.X	±.1			APPD			
				.XX	±.01			SCALE 1=1			
				.XXX	±.005	TITLE		REF FIG.2-51			
A	UPDATED TO REGAL LOGO			SAJ	06/26/15	AJY	.XXXX	±.0005	MAT'L.	DECAL - 004014	FMF
NO.	REVISION			BY & DATE	CHK	ANG	±1/2"	FINISH			PREV
THIS DRAWING IN DESIGN AND DETAIL IS OUR PROPERTY AND MUST NOT BE USED EXCEPT IN CONNECTION WITH OUR WORK ALL RIGHTS OF DESIGN AND INVENTION ARE RESERVED THIS IS AN ELECTRONICALLY GENERATED DOCUMENT - DO NOT SCALE THIS PRINT				RFP	04/12/02	CAD FILE	00501001		SIZE	DRAWING NO.	REV.
				DIST	BRF-NLV			A	005010-01	A	



P.O. BOX 8003
WAUSAU, WI 54401-8003
PH. 715-675-3311

DATA VOLTS: 460

CERTIFICATION DATA SHEET

CONN. DIAGRAM: 005010.01
OUTLINE: 607-0003-775
WINDING: T634341

CAT #: 121871.00

FR 3

TYPICAL MOTOR PERFORMANCE DATA

HP	KW	SYNC RPM	FL RPM	FRAME	ENCLOSURE	TYPE	KVA CODE	DESIGN		
1.5	1.1	1800	1750	145TC	TEFC	TFR	L	B		
PH	HZ	VOLTS	AMPS	START TYPE	DUTY	INSL	S.F.	AMB	ELEV.	
3	60/50	230/460#190/380	4.3/2.15#3.6/1.8	ACROSS THE LINE	CONT	F	1.15	40	3300	
F.L. EFF		3/4 LD EFF		1/2 LD EFF		ELECT. TYPE				
86.5		87.2		84.0		SQ CAGE IND RUN				
F.L. PF		3/4 LD PF		1/2 LD PF						
67.7		63.0		55.0		0.0				
F.L. TORQUE		LR AMPS @ 460 V		L.R. TORQUE		B.D. TORQUE		F.L. RISE (°C)		
4.5 LB-FT		18.5		17.2 LB-FT		382%		20.4 LB-FT		
PRESSURE @ 3		POWER		ROTOR WK²		MAX. LOAD WK²		SAFE STALL TIME	STARTS/HOUR	MOTOR WGT
65 DBA		74 DBA		0.14 LB-FT²		0.1 LB-FT²		10 SEC.	3	0 LB.

*** SUPPLEMENTAL INFORMATION ***

DE BRACKET TYPE	ODE BRACKET TYPE	MOUNT TYPE	MOTOR ORIENTATION	SEVERE DUTY	HAZARDOUS LOCATION	DRIIP COVER	SCREENS	PAINT
C-FACE	STANDARD	RIGID	HORIZONTAL	NO	NONE	NO	NONE	ITE - LEESON (EPO
BEARINGS		SHAFT TYPE		SPECIAL DE		SPECIAL ODE		SHAFT MATERIAL
DE	ODE	GREASE	T	NONE	NONE	NONE	NONE	303 STAINLESS (C-501)
BALL	BALL	POLYREX EM						ROLLED STEEL
6205	6203							

THERMOSTATS	PROTECTORS	WDG RTD's	BRG RTD's	THERMISTORS	CONTROL	SPACE HEATERS
NONE	NOT	NONE	NONE	NONE	FALSE	NA
R1 (ohms/ph)	R2 (ohms/ph)	X1 (ohms/ph)	X2 (ohms/ph)	Xm (ohms/ph)	VIBRATION (in/sec)	FLOAT
0	0	0	0	0	0.080	ODE

* N O T E S *		INVERTER TORQUE: NONE	
		INV. HP SPEED RANGE: NONE	
		ENCODER: NONE	
		BRAKE: NONE	
		NONE	
		NONE PPR	

DATE: 1/31/2018	UL: Y-(LEESON UL REC)	FT-LB: NA	VOLTAGE: NONE	HZ: NONE
-----------------	-----------------------	-----------	---------------	----------

Data Sheet

Date: 1/31/2018

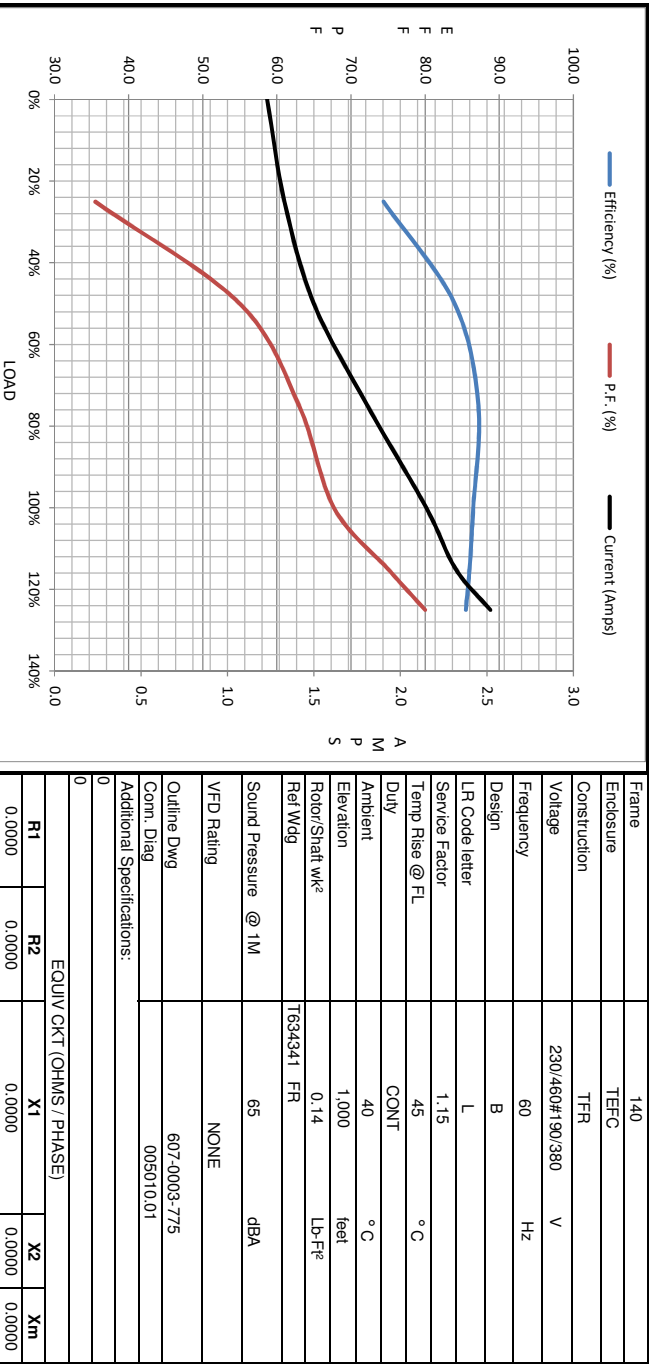
121871.00



Data @ 460 V

Motor Load Data								
Load	0%	25%	50%	75%	100%	115%	125%	LR
Current (Amps)	1.23	1.33	1.50	1.81	2.15	2.32	2.52	18.5
Torque (ft-lb)	0.00	1.10	2.25	3.4	4.5	5.2	5.6	17.2
RPM	1800	1785	1772	1760	1750	1738	1732	0
Efficiency (%)		74.4	84.0	87.2	88.5	86.0	85.5	
P.F. (%)	9.9	35.5	55.0	63.0	67.7	75.0	80.0	48.0

Motor Speed Data						Information Block																				
Speed (RPM)	LR	Pull-Up	BD	Rated	Idle	HP	Sync. RPM	Frame	Enclosure	Construction	Voltage	Frequency	Design	LR Code letter	Service Factor	Temp Rise @ FL	Duty	Ambient	Elevation	Rotor/Shaft wk ²	Ref Wdg	Sound Pressure @ 1M	VFD Rating	Outline Dwg	Conn. Diag	Additional Specifications:
0		900	1600	1750	1800	1.5	1800	140	TEFC	TFR	230/460#190/380	60	B	L	1.15	45	CONT	40	1,000	0.14	T634341 FR	65	NONE	607-0003-775	005010.01	
Current (Amps)	18.5	16.1	12.1	2.15	1.23																					
Torque (ft-lb)	17.2	16.0	20.4	4.5	0.00																					



R1	R2	X1	X2	Xm
0.0000	0.0000	0.0000	0.0000	0.0000

