

PRODUCT INFORMATION PACKET



Model No: CZ143T34UK1D

Catalog No: 121879.00

..1 1/2HP..3490RPM.143.TEFC.230/460V.3PH.60HZ.CONT.40C.1.25SF.C
FACE.CZ143T34WK8.....WASHGUARD - ALL STAINLESS.NOT.....

Encapsulated



Regal and Leeson are trademarks of Regal Beloit Corporation or one of its affiliated companies.

©2018 Regal Beloit Corporation, All Rights Reserved. MC017097E



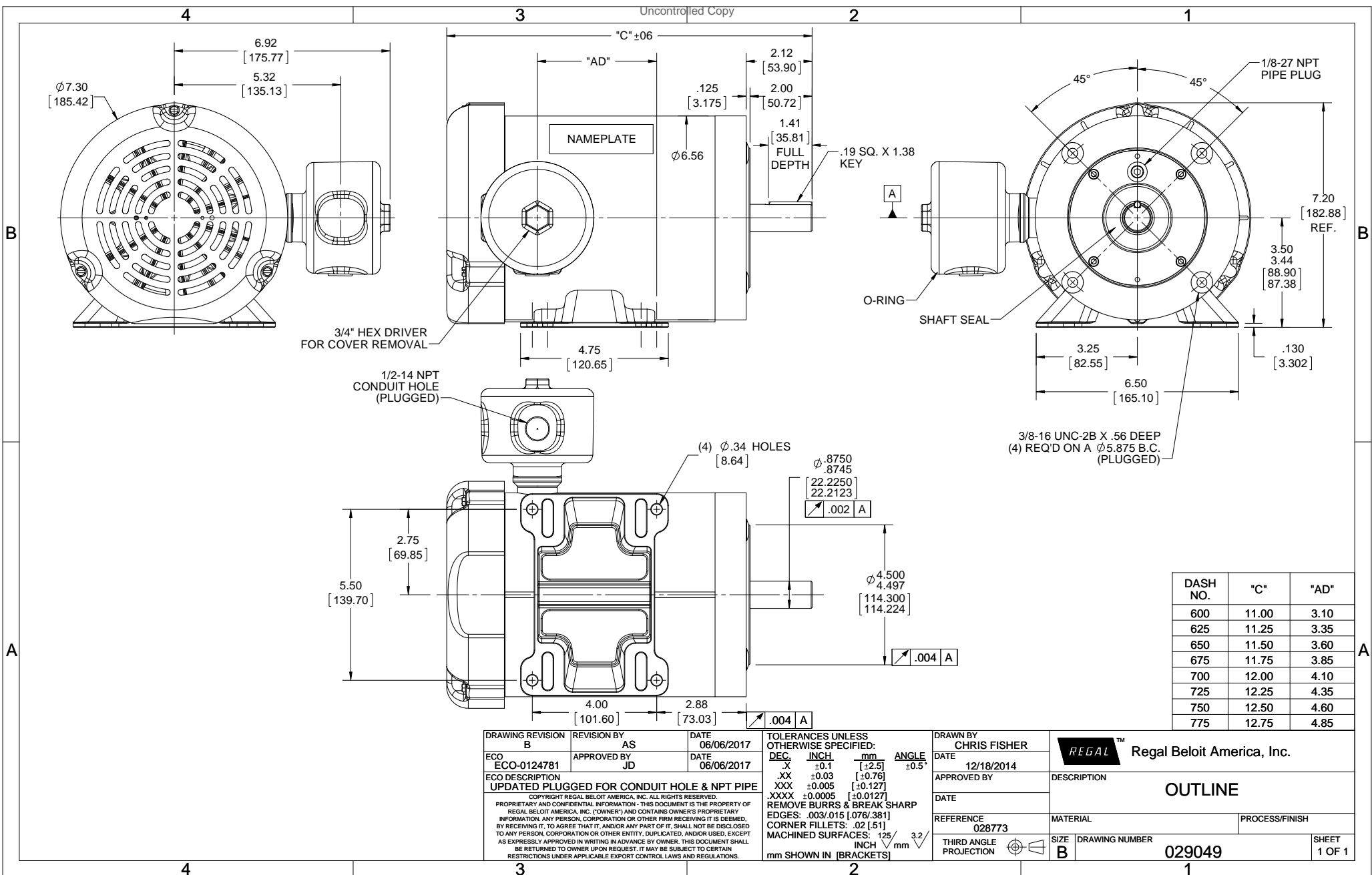


Nameplate Specifications

Output HP	1.50 Hp	Output KW	1.1 kW
Frequency	60 Hz	Voltage	230/460 V
Current	4.0/2.0 A	Speed	3450 rpm
Service Factor	1.15	Phase	3
Efficiency	84 %	Duty	Continuous
Insulation Class	F	Design Code	B
KVA Code	M	Frame	143TC
Enclosure	Totally Enclosed Fan Cooled	Overload Protector	No
Ambient Temperature	40 °C	Drive End Bearing Size	6205
Opp Drive End Bearing Size	6205	UL	Recognized
CSA	Y	CE	Y
IP Code	69		

Technical Specifications

Electrical Type	Squirrel Cage Induction Run	Starting Method	Across The Line
Poles	2	Rotation	Reversible
Mounting	Rigid base	Motor Orientation	HORIZONTAL
Drive End Bearing	BALL	Opp Drive End Bearing	BALL
Frame Material	Rolled Steel	Shaft Type	T
Overall Length	11.75 in	Frame Length	6.75 in
Shaft Diameter	0.875 in	Shaft Extension	2.25 in
Assembly/Box Mounting	F1 ONLY		
Outline Drawing	029049-675	Connection Diagram	005010.52



DASH NO.	"C"	"AD"
600	11.00	3.10
625	11.25	3.35
650	11.50	3.60
675	11.75	3.85
700	12.00	4.10
725	12.25	4.35
750	12.50	4.60
775	12.75	4.85

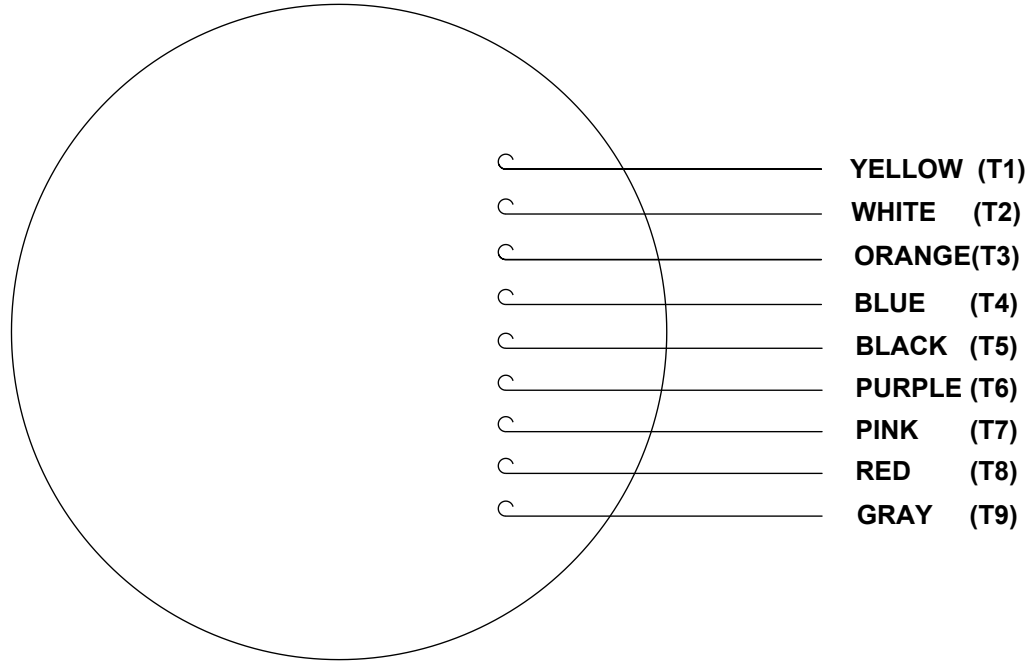
DRAWING REVISION B	REVISION BY AS	DATE 06/06/2017
ECO ECO-0124781	APPROVED BY JD	DATE 06/06/2017
ECO DESCRIPTION UPDATED PLUGGED FOR CONDUIT HOLE & NPT PIPE		
<small> COPYRIGHT REGAL BELOIT AMERICA, INC. ALL RIGHTS RESERVED. PROPRIETARY AND CONFIDENTIAL INFORMATION - THIS DOCUMENT IS THE PROPERTY OF REGAL BELOIT AMERICA, INC. (OWNER) AND CONTAINS OWNER'S PROPRIETARY INFORMATION. ANY PERSON, CORPORATION OR OTHER FIRM RECEIVING IT IS DEEMED, BY RECEIVING IT, TO AGREE THAT IT, AND/OR ANY PART OF IT, SHALL NOT BE DISCLOSED TO ANY PERSON, CORPORATION OR OTHER ENTITY, DUPLICATED, AND/OR USED, EXCEPT AS EXPRESSLY APPROVED IN WRITING IN ADVANCE BY OWNER. THIS DOCUMENT SHALL BE RETURNED TO OWNER UPON REQUEST. IT MAY BE SUBJECT TO CERTAIN RESTRICTIONS UNDER APPLICABLE EXPORT CONTROL LAWS AND REGULATIONS. </small>		

TOLERANCES UNLESS OTHERWISE SPECIFIED:			
DEC.	INCH	mm	ANGLE
.X	±0.1	[±2.5]	±0.5°
.XX	±0.03	[±0.76]	
.XXX	±0.005	[±0.127]	
.XXXX	±0.0005	[±0.0127]	
REMOVE BURRS & BREAK SHARP			
EDGES: .003/.015 [0.076/3.81]			
CORNER FILLETS: .02 [51]			
MACHINED SURFACES: 125/3.2			
mm SHOWN IN [BRACKETS]			

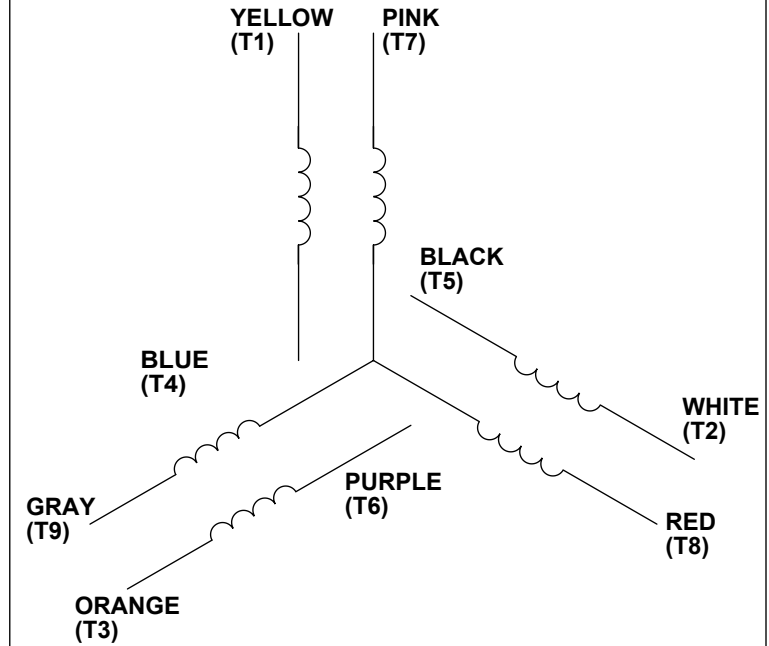
DRAWN BY CHRIS FISHER
DATE 12/18/2014
APPROVED BY
DATE
REFERENCE 028773
THIRD ANGLE PROJECTION

Regal Beloit America, Inc.	
DESCRIPTION OUTLINE	
MATERIAL	PROCESS/FINISH
SIZE B	DRAWING NUMBER 029049
	SHEET 1 OF 1

VIEW FROM OUTSIDE OF MOTOR AT SWITCH END.



LINE LEADS



VOLTAGE	L1	L2	L3	JOIN & INSULATE
HIGH	T1	T2	T3	(T4, T7) (T5, T8) (T6, T9)
LOW	T1, T7	T2, T8	T3, T9	T4, T5, T6

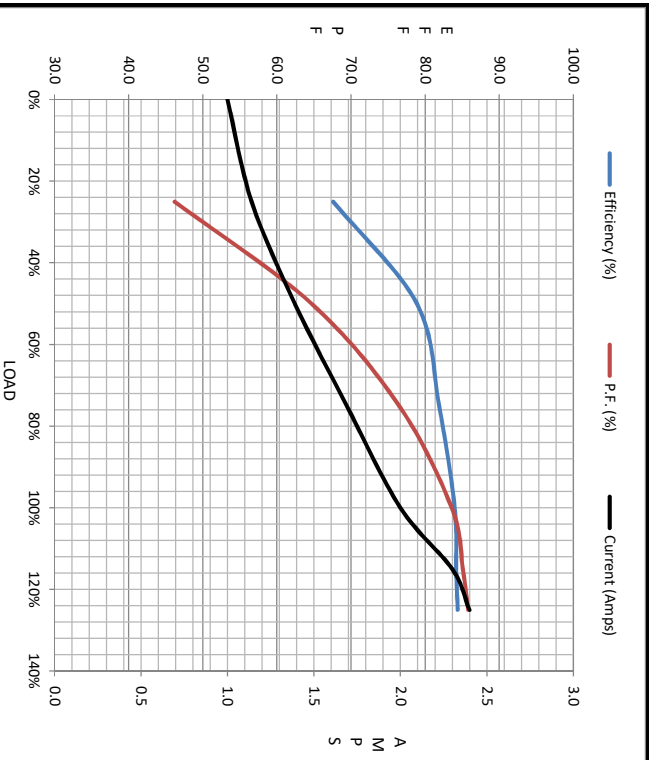
RBC PROPRIETARY AND CONFIDENTIAL INFORMATION
This document is the property of REGAL BELOIT CORPORATION ("RBC") including its subsidiaries and divisions and contains proprietary information of RBC. This document is loaned on the express condition that neither it nor the information contained therein shall be disclosed to others without the express written consent of RBC, and that the information shall be used by the recipient only as approved expressly by RBC. This document shall be returned to RBC upon its request. This document may be subject to certain restrictions under U.S. export control laws and regulations.

DRAWING REVISION C	REVISION BY PVR	DATE 04/23/14	TOLERANCES UNLESS OTHERWISE SPECIFIED:		DRAWN BY LST	Regal Beloit America, Inc.
ECO ECO-0049985	APPROVED BY JD	DATE 04/23/14	DEC. ± 0.1 [±2.5]	INCH ± 0.01 [±0.25]	DATE 4/3/14	
ECO DESCRIPTION UPDATED PER ECO-0049985			ANGLE $\pm 0.5^\circ$	XXX ± 0.005 [±0.127]	APPROVED BY	DESCRIPTION LEAD ASSY EXT. WIRING DIA. 3 PH. W/O PROT.
<small>COPYRIGHT REGAL BELOIT AMERICA, INC. ALL RIGHTS RESERVED. PROPRIETARY AND CONFIDENTIAL INFORMATION - THIS DOCUMENT IS THE PROPERTY OF REGAL BELOIT AMERICA, INC. ("OWNER") AND CONTAINS OWNER'S PROPRIETARY INFORMATION. ANY PERSON, CORPORATION OR OTHER FIRM RECEIVING IT IS DEEMED, BY RECEIVING IT, TO AGREE THAT IT, AND/OR ANY PART OF IT, SHALL NOT BE DISCLOSED TO ANY PERSON, CORPORATION OR OTHER ENTITY, DUPLICATED, AND/OR USED, EXCEPT AS EXPRESSLY APPROVED IN WRITING IN ADVANCE BY OWNER. THIS DOCUMENT SHALL BE RETURNED TO OWNER UPON REQUEST. IT MAY BE SUBJECT TO CERTAIN RESTRICTIONS UNDER APPLICABLE EXPORT CONTROL LAWS AND REGULATIONS.</small>			.XXXX ± 0.0005 [±0.0127]	REMOVE BURRS & BREAK SHARP	DATE	MATERIAL
			EDGES: .003/.015 [.076/.381]	CORNER FILLETS: .02 [.51]	MACHINED SURFACES: $\frac{125}{\text{INCH}} \sqrt{\frac{3.2}{\text{mm}}}$	PROCESS/FINISH
			mm SHOWN IN [BRACKETS]	THIRD ANGLE PROJECTION		



Motor Load Data								
Load	0%	25%	50%	75%	100%	115%	125%	LR
Current (Amps)	1.00	1.14	1.39	1.69	2.00	2.30	2.40	20.1
Torque (ft-lb)	0.00	0.56	1.12	1.68	2.25	2.65	2.80	8.9
RPM	3600	3570	3549	3535	3500	3488	3480	0
Efficiency (%)		67.6	78.9	81.9	84.0	84.2	84.4	
P.F. (%)	12.6	46.2	64.7	76.5	83.6	85.1	85.8	0.0

Motor Speed Data						Information Block																											
LR	Pull-Up	BD	Rated	Idle		HP	Sync. RPM	Frame	Enclosure	Construction	Voltage	Frequency	Design	LR Code letter	Service Factor	Temp Rise @ FL	Duty	Ambient	Elevation	Rotor/Shaft wk ²	Ref Wdg	Sound Pressure @ 1M	VFD Rating	Outline Dwg	Conn. Diag	Additional Specifications:	R1	R2	X1	X2	Xm		
0	220	2200	3500	3600		1.5	3600	140	TEFC	TFR	230/460#190/380	60	A	M	1.15	50	CONT	40 °C	1,000 feet	0.06	LB-Fc	0	dB(A)	NONE	029049-675	005010.52		0.0000	0.0000	0.0000	0.0000	0.0000	
20.1	18.5	16.0	2.00	1.00																													
8.9	8.6	10.7	2.25	0.00																													



EQUIV CKT (OHMS / PHASE)			
R1	R2	X1	Xm
0.0000	0.0000	0.0000	0.0000

