

PRODUCT INFORMATION PACKET



Model No: C143T34FC20AA

Catalog No: 122086.00

..1.5HP..3600RPM.143JMV.TEFC.230/460V.3PH.60HZ.CONT.40C..C-FACE.....JM PUMP MOTOR.....
JM



Regal and Leeson are trademarks of Regal Beloit Corporation or one of its affiliated companies.

©2018 Regal Beloit Corporation, All Rights Reserved. MC017097E



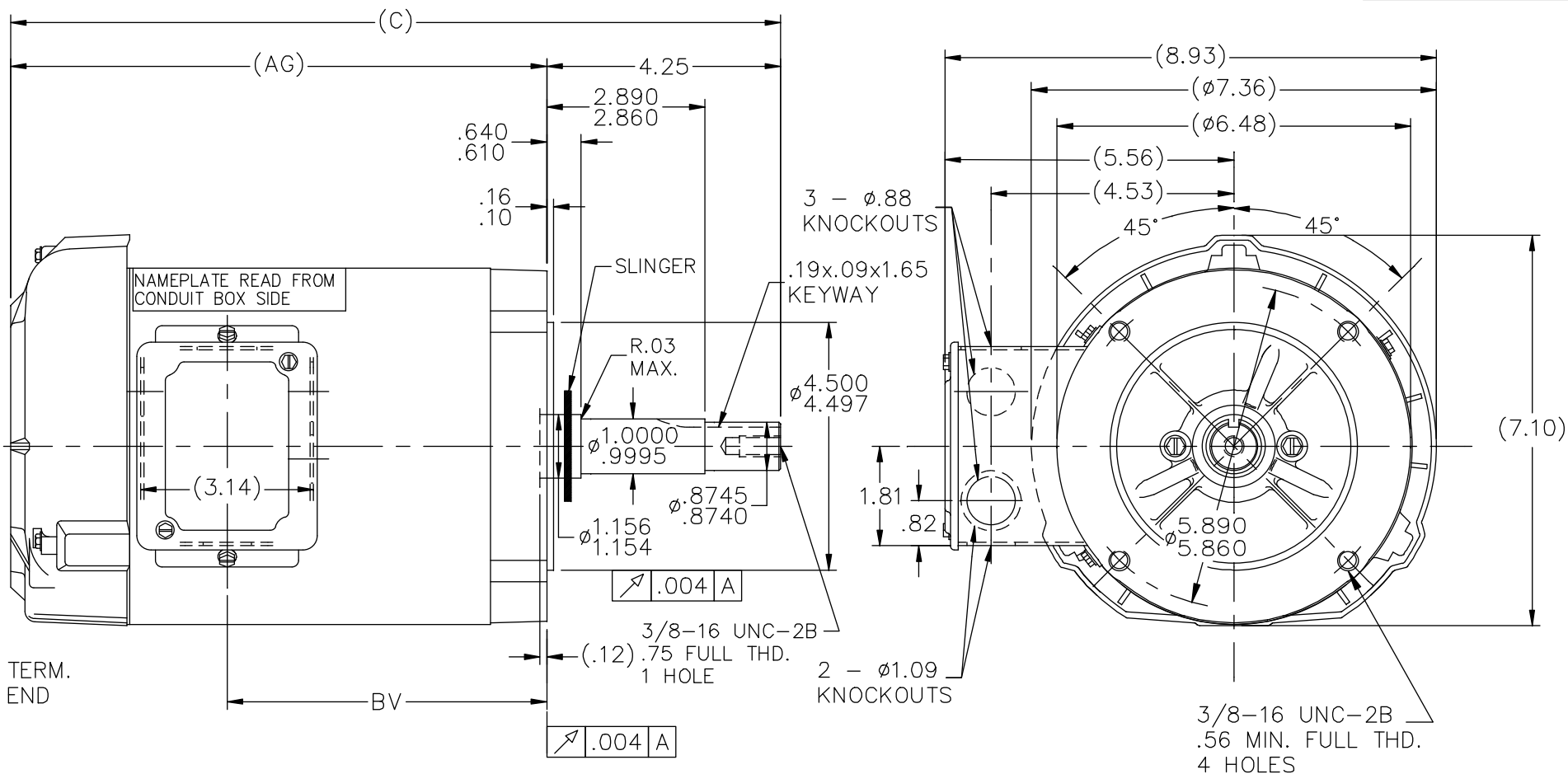


Nameplate Specifications

| | | | |
|----------------------------|-----------------------------|------------------------|------------|
| Output HP | 1.50 Hp | Output KW | 1.1 kW |
| Frequency | 60 Hz | Voltage | 230/460 V |
| Current | 4.0/2.0 A | Speed | 3515 rpm |
| Service Factor | 1.15 | Phase | 3 |
| Efficiency | 84 % | Duty | Continuous |
| Insulation Class | F | Design Code | B |
| KVA Code | M | Frame | 143JM |
| Enclosure | Totally Enclosed Fan Cooled | Overload Protector | No |
| Ambient Temperature | 40 °C | Drive End Bearing Size | 6206 |
| Opp Drive End Bearing Size | 6203 | UL | Recognized |
| CSA | Y | CE | Y |
| IP Code | 43 | | |

Technical Specifications

| | | | |
|-----------------------|------------------------------|-----------------------|------------------|
| Electrical Type | Squirrel Cage Inverter Rated | Starting Method | Line Or Inverter |
| Poles | 2 | Rotation | Reversible |
| Mounting | Round | Motor Orientation | HORIZONTAL |
| Drive End Bearing | BALL | Opp Drive End Bearing | BALL |
| Frame Material | Rolled Steel | Shaft Type | JM |
| Overall Length | 15.49 in | Frame Length | 8.06 in |
| Shaft Diameter | 0.875 in | Shaft Extension | 4.28 in |
| Assembly/Box Mounting | F1 ONLY | | |
| Outline Drawing | B-100878LE-806 | Connection Diagram | A-EE7308-LE |



| DASH | FR | C | AG | BV | DASH | FR | C | AG | BV |
|------|-----|-------|-------|------|------|-----|-------|-------|------|
| | | | | | 806 | 145 | 15.49 | 11.24 | 7.31 |
| 656 | 145 | 13.99 | 11.74 | 5.81 | 856 | 145 | 15.99 | 11.74 | 7.81 |
| 706 | 145 | 14.49 | 10.24 | 6.31 | 906 | 145 | 16.49 | 12.24 | 8.31 |
| 756 | 145 | 14.99 | 11.74 | 6.81 | 956 | 145 | 16.99 | 12.74 | 8.81 |

NOTE:
'C' BOX CAN BE ROTATED 180°

| NO. | | REVISION | | BY & DATE | | CHK | | ANG | | FINISH | | DRAWN | | PAGE | | OF | | REV. | |
|-----|--|----------|--|-----------|--|-----|--|-----|--|--------|--|-------------|--|-------------|--|------|--|------|--|
| | | | | | | | | | | | | UD 01/08/14 | | | | | | | |
| | | | | | | | | | | | | PI 01/08/14 | | | | | | | |
| | | | | | | | | | | | | APPD | | | | | | | |
| | | | | | | | | | | | | SCALE | | 11=32 | | | | | |
| | | | | | | | | | | | | REF | | 100878 | | | | | |
| | | | | | | | | | | | | FMF | | | | | | | |
| | | | | | | | | | | | | PREV | | | | | | | |
| | | | | | | | | | | | | SIZE | | DRAWING NO. | | PAGE | | OF | |
| | | | | | | | | | | | | A | | 100878LE | | | | | |

THIS DRAWING IN DESIGN AND DETAIL IS OUR PROPERTY AND MUST NOT BE USED EXCEPT IN CONNECTION WITH OUR WORK ALL RIGHTS OF DESIGN AND INVENTION ARE RESERVED THIS IS AN ELECTRONICALLY GENERATED DOCUMENT - DO NOT SCALE THIS PRINT

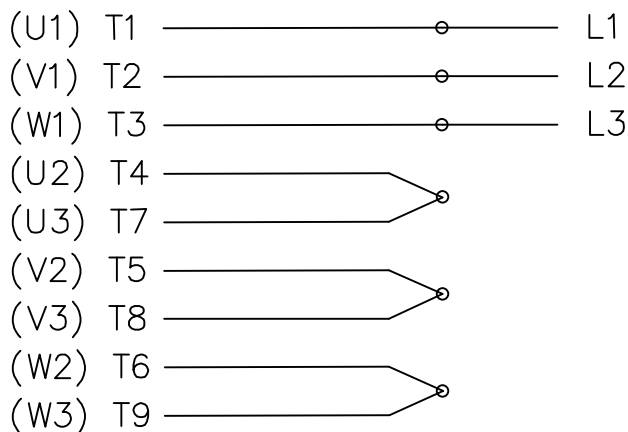
RFP
DIST WP

CAD FILE 100878LE

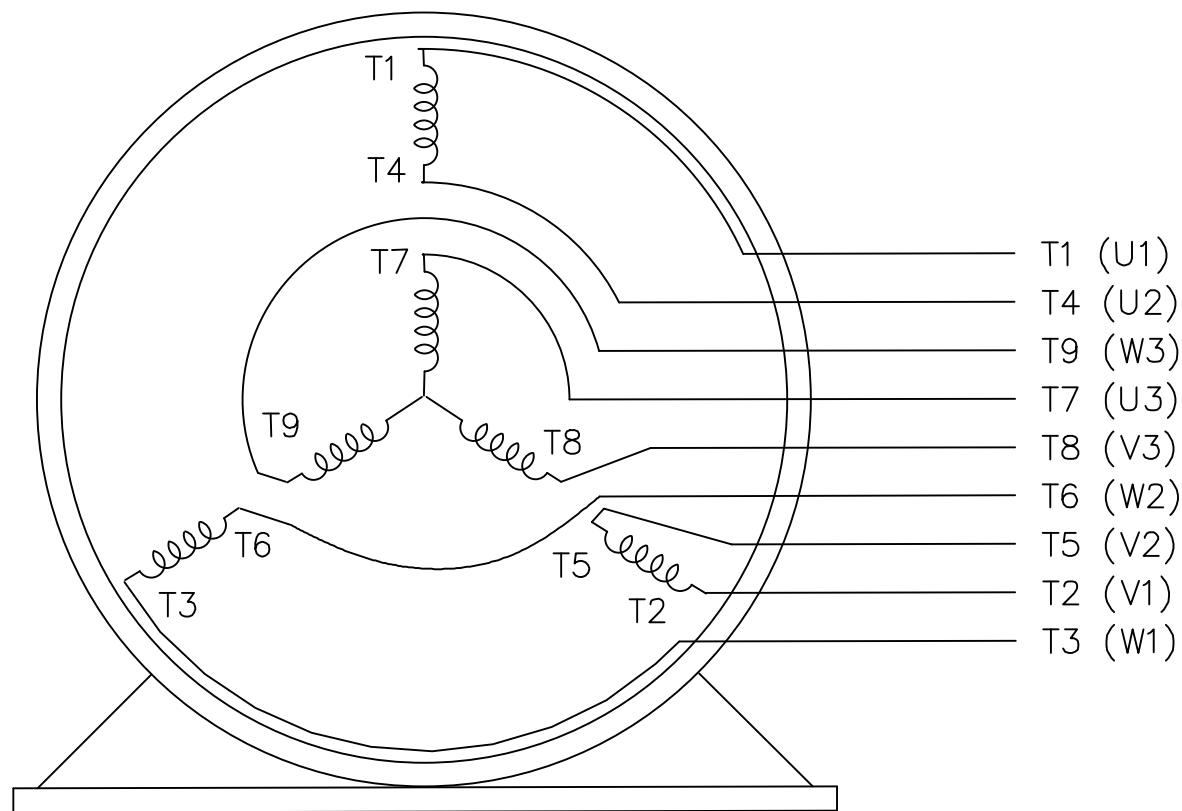
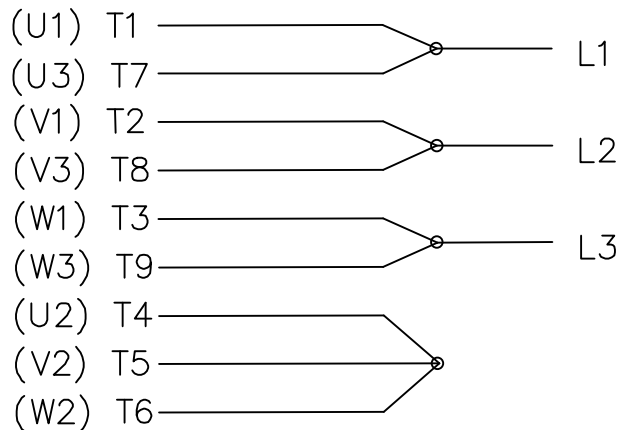
SIZE A
DRAWING NO. 100878LE
PAGE OF
REV.

THREE PHASE DUAL VOLTAGE MOTOR

HIGH VOLTAGE




LOW VOLTAGE



VIEW OF TERMINAL END

REF.
WINDING DIAGRAM

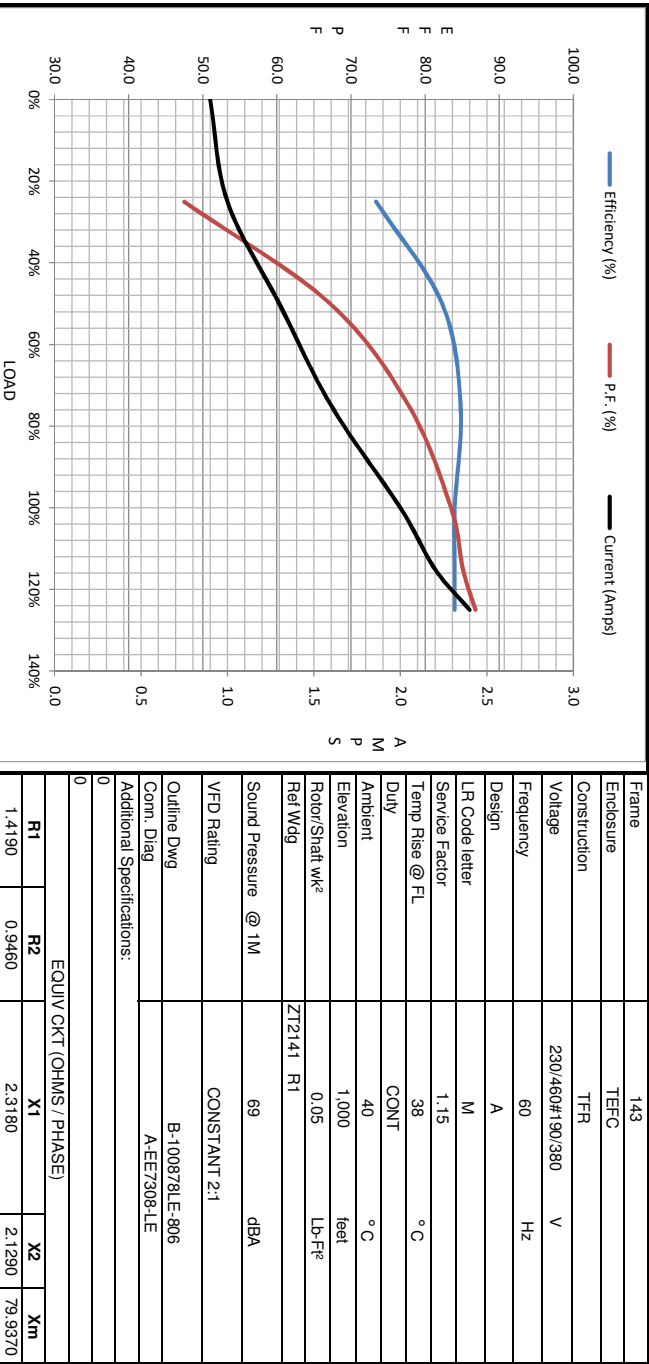
T8Y, T2Y, T2BL, T4BX, T2EC, T2G
T6BZ, T2B, T6BL, T4AV, T6B, T4B

| | | | | TOLERANCES UNLESS SPECIFIED | |  ELECTRIC MOTORS GEARMOTORS AND DRIVES | DRAWN HLB 04-29-2002 | | |
|--|---|----------------|-----|-----------------------------|--------|---|----------------------|---------------------|------|
| | | | | DEC. | INCHES | | CHK | ML 05-03-2002 | |
| | | | | .X | ±.1 | | APPD | GK 05-03-2002 | |
| | | | | .XX | ±.01 | TITLE CONNECTION DIAGRAM 3Ø - DUAL VOLTAGE MOTOR | SCALE | 1=1 | |
| 2 | ADDED IEC NOTATIONS... (U1), (V1) ETC. (MU105786) | REP 01-11-2012 | DR | .XXX | ±.005 | | REF | | |
| 1 | NEW DRAWING | HLB 05-03-2002 | ML | .XXXX | ±.0005 | MAT'L. | FMF | | |
| NO. | REVISION | BY & DATE | CHK | ANG | ±1/2' | FINISH | PREV | | |
| THIS DRAWING IN DESIGN AND DETAIL IS OUR PROPERTY AND MUST NOT BE USED EXCEPT IN CONNECTION WITH OUR WORK ALL RIGHTS OF DESIGN AND INVENTION ARE RESERVED THIS IS AN ELECTRONICALLY GENERATED DOCUMENT - DO NOT SCALE THIS PRINT | | | | RFP | | CAD FILE EE7308-LE | SIZE | DRAWING NO. PAGE OF | REV. |
| | | | | DIST | LB-WP | | A | EE7308-LE | 2 |



| Motor Load Data | | | | | | | | |
|-----------------|------|------|------|------|------|------|------|------|
| Load | 0% | 25% | 50% | 75% | 100% | 115% | 125% | LR |
| Current (Amps) | 0.90 | 1.00 | 1.30 | 1.60 | 2.00 | 2.20 | 2.40 | 19.4 |
| Torque (ft-lb) | 0.00 | 0.60 | 1.10 | 1.70 | 2.20 | 2.60 | 2.80 | 7.3 |
| RPM | 3600 | 3575 | 3555 | 3535 | 3515 | 3500 | 3485 | 0 |
| Efficiency (%) | | 73.4 | 82.3 | 84.8 | 84.0 | 84.0 | 84.0 | |
| P.F. (%) | 17.0 | 47.5 | 67.2 | 77.8 | 83.5 | 85.1 | 86.8 | 58.0 |

| Motor Speed Data | | | | | | Information Block | | | | | | | | | | | | | | | | | | | | | |
|------------------|---------|------|-------|------|------|-------------------|-----------|-------|-----------|--------------|-----------------|-----------|--------|----------------|----------------|----------------|------|---------|------------|-----------------------------|-----------|---------------------|--------------|----------------|-------------|----------------------------|--|
| LR | Pull-Up | BD | Rated | Idle | | HP | Sync. RPM | Frame | Enclosure | Construction | Voltage | Frequency | Design | LR Code letter | Service Factor | Temp Rise @ FL | Duty | Ambient | Elevation | Rotor/Shaft wk ² | Ref Wdg | Sound Pressure @ 1M | VFD Rating | Outline Dwg | Conn. Diag | Additional Specifications: | |
| LR | 650 | 2815 | 3515 | 3600 | | 1.5 | 3600 | 143 | TEFC | TFR | 230/460#190/380 | 60 | A | M | 1.15 | 38 | CONT | 40 °C | 1,000 feet | 0.05 | Z12141 R1 | 69 | CONSTANT 2:1 | B-100878LE-806 | A-EE7308-1E | | |
| Speed (RPM) | 0 | 650 | 2815 | 3515 | 3600 | | | | | | | | | | | | | | | | | | | | | | |
| Current (Amps) | 19.4 | 18.6 | 12.1 | 2.00 | 0.90 | | | | | | | | | | | | | | | | | | | | | | |
| Torque (ft-lb) | 7.3 | 6.1 | 9.6 | 2.20 | 0.00 | | | | | | | | | | | | | | | | | | | | | | |



| EQUIV CKT (OHMS / PHASE) | | | | |
|--------------------------|--------|--------|--------|---------|
| R1 | R2 | X1 | X2 | Xm |
| 1.4190 | 0.9460 | 2.3180 | 2.1290 | 79.9370 |

