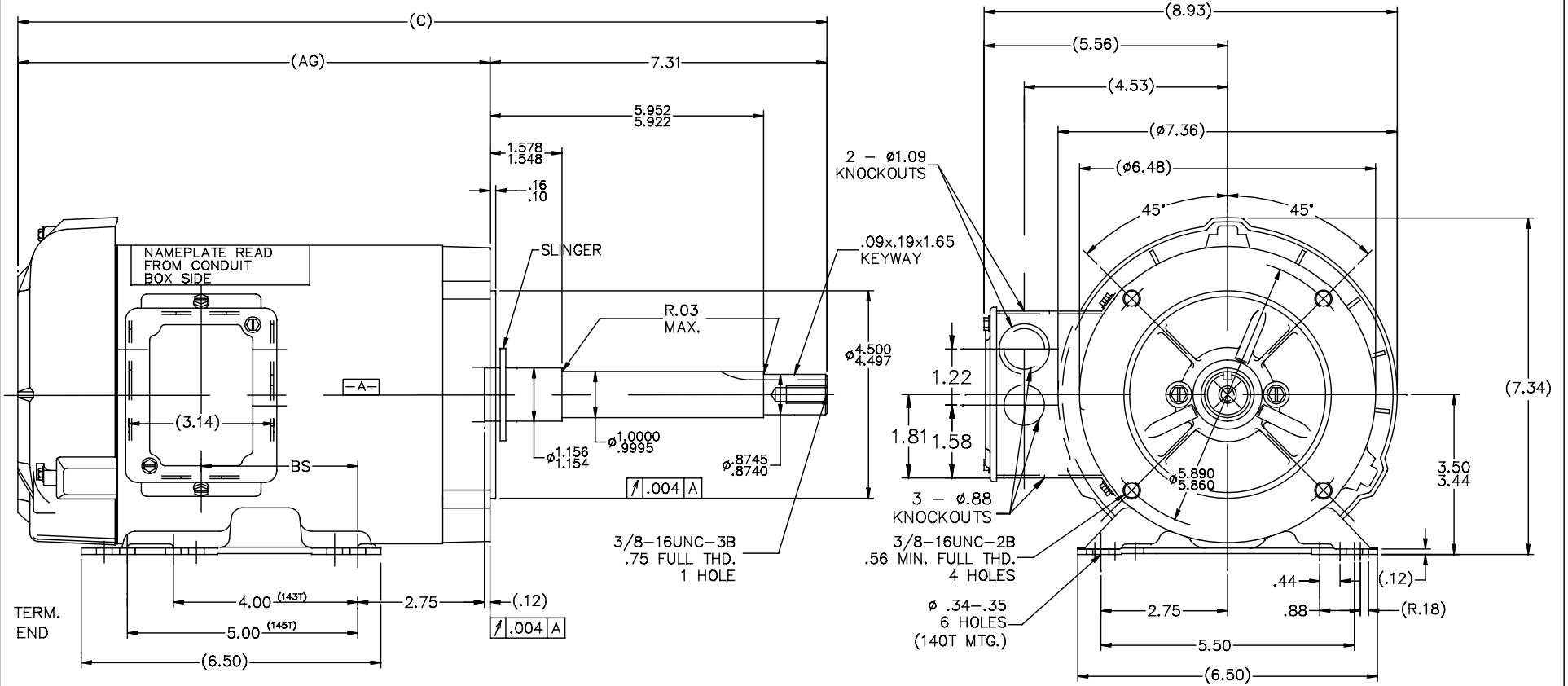


100134



DASH	C	AG	BS
706	17.63	10.32	3.44
756	18.13	10.82	3.94
806	18.63	11.32	4.44
856	19.13	11.82	4.94
906	19.63	12.32	5.44
956	20.13	12.82	5.94

NOTE:
CONDUIT BOX CAN BE ROTATED 180°

REVISION		BY & DATE	CHK	ANG	±7'30"	FINISH	PREV
8	CORRECTED 'C' DIM'S ON 27400-502	BLR 0-28-99	.XXX	±.005		TITLE OUTLINE - TEFC 140 FR. - 3 ϕ -BB -C'FACE -JP EXT.	REF
7	REDRAWN ON CADD, REVISED 'AG' DIM.	DT 06-06-96	.XXXX	±.0005		MAT'L	FMF
TOLERANCES UNLESS SPECIFIED							
	DEC.						
	.X						
	.XX						
THIS DRAWING IN DESIGN AND DETAIL IS OUR PROPERTY AND MUST NOT BE USED EXCEPT IN CONNECTION WITH OUR WORK. ALL RIGHTS OF DESIGN AND INVENTION ARE RESERVED. THIS IS AN ELECTRONICALLY GENERATED DOCUMENT - DO NOT SCALE THIS PRINT		RFP				CAD FILE 100134	SIZE B
		DIST WP					DRAWING NO. 100134
							REV. 8

Regal Beloit America, Inc.
 DRAWN DT 05-30-96
 CHK KL 06-06-96
 APPD ML 06-06-96
 SCALE 5=9
 DRAWING NO. 100134
 REV. 8