

PRODUCT INFORMATION PACKET



Model No: C182T28FB3C

Catalog No: 131480.00

3HP.2.2kW.2850RPM.182.IP54.220/380V.3PH.50HZ.CONT.NOT.40C.1.15SF.RIGID.50HZ.C182T28FB3C
50 Hz



Regal and Leeson are trademarks of Regal Beloit Corporation or one of its affiliated companies.

©2018 Regal Beloit Corporation, All Rights Reserved. MC017097E





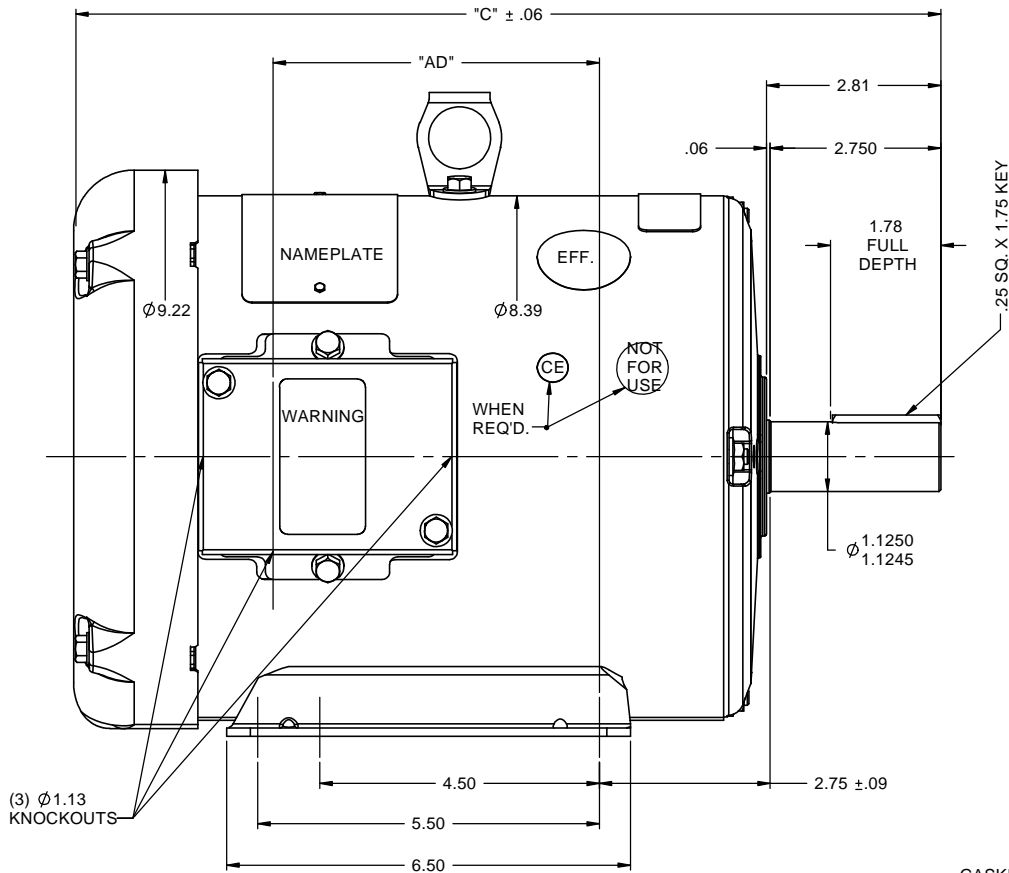
Nameplate Specifications

Output HP	3 Hp	Output KW	2.2 kW
Frequency	50 Hz	Voltage	220/380/440 V
Current	8.4/4.8/4.2 A	Speed	2850 rpm
Service Factor	1.15	Phase	3
Efficiency	82.5 %	Duty	Continuous
Insulation Class	F	Design Code	B
KVA Code	K	Frame	182T
Enclosure	Totally Enclosed Fan Cooled	Overload Protector	No
Ambient Temperature	40 °C	Drive End Bearing Size	6206
Opp Drive End Bearing Size	6205	UL	Recognized
CSA	Y	CE	Y
IP Code	54		

Technical Specifications

Electrical Type	Squirrel Cage Induction Run	Starting Method	Across The Line
Poles	2	Rotation	Reversible
Mounting	Rigid base	Motor Orientation	HORIZONTAL
Drive End Bearing	BALL	Opp Drive End Bearing	BALL
Frame Material	Rolled Steel	Shaft Type	T
Overall Length	13.46 in	Frame Length	8.00 in
Shaft Diameter	1.125 in	Shaft Extension	2.75 in
Assembly/Box Mounting	F1/F2 CAPABLE		
Outline Drawing	035465-800	Connection Diagram	005381.01

RBC PROPRIETARY AND CONFIDENTIAL INFORMATION
 This document is the property of REGAL BELOIT CORPORATION ("RBC") including its subsidiaries and divisions and contains proprietary information of RBC. This document is loaned on the express condition that neither it nor the information contained therein shall be disclosed to others without the express written consent of RBC, and that the information shall be used by the recipient only as approved expressly by RBC. This document shall be returned to RBC upon its request. This document may be subject to certain restrictions under U.S. export control laws and regulations.

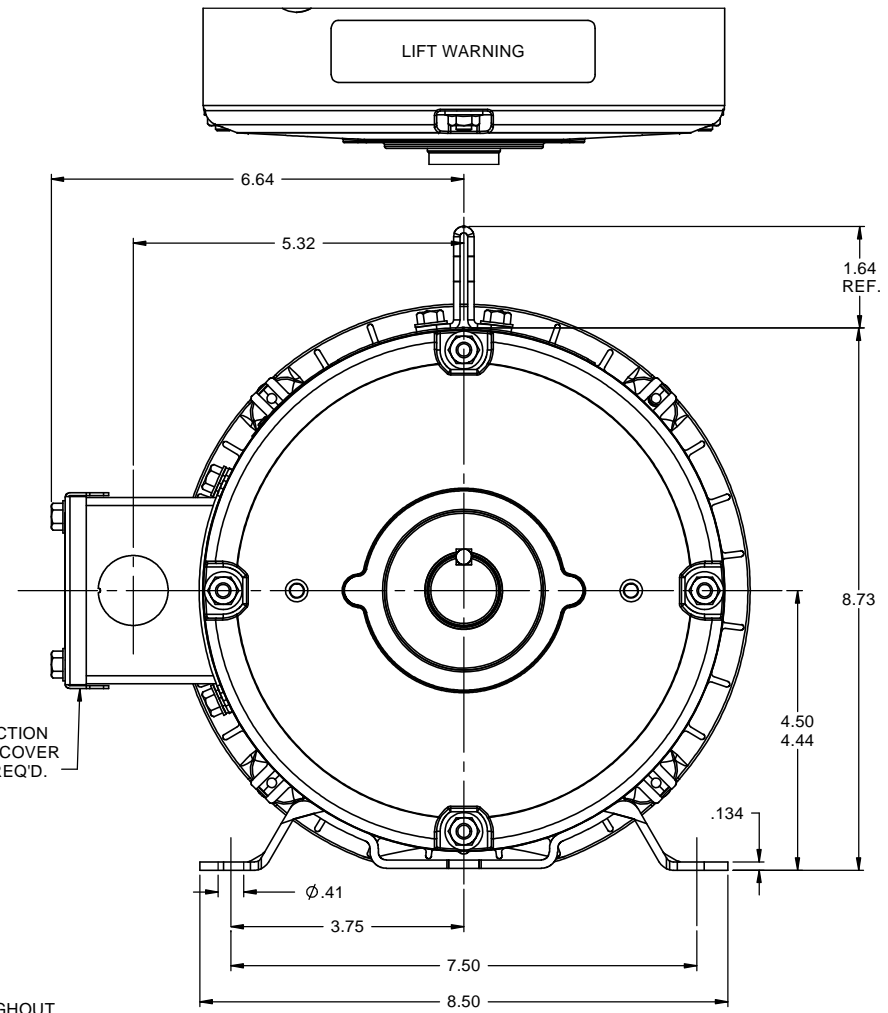


(3) Ø1.13 KNOCKOUTS

.25 SQ. X 1.75 KEY

DECAL-
CONNECTION
UNDER COVER
WHEN REQ'D.

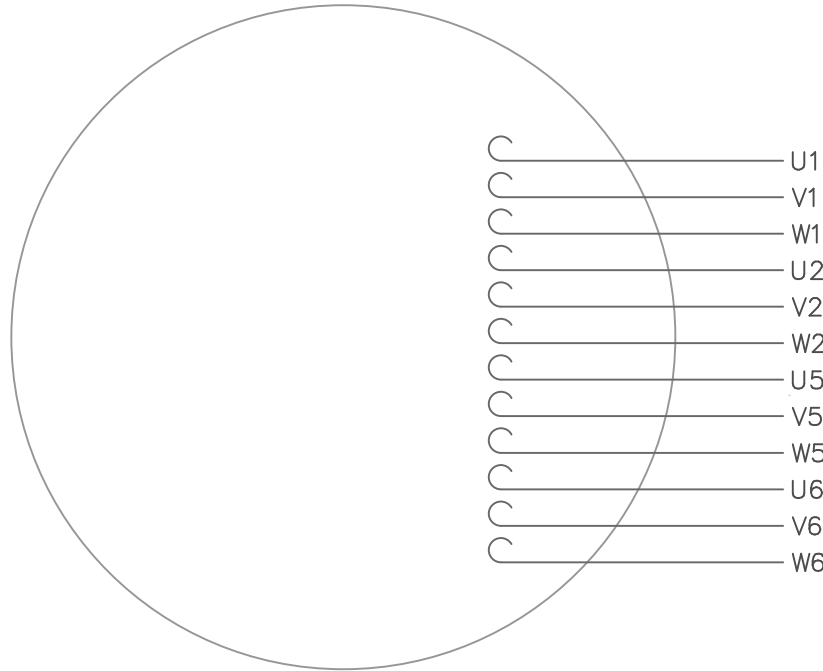
GASKET THROUGHOUT



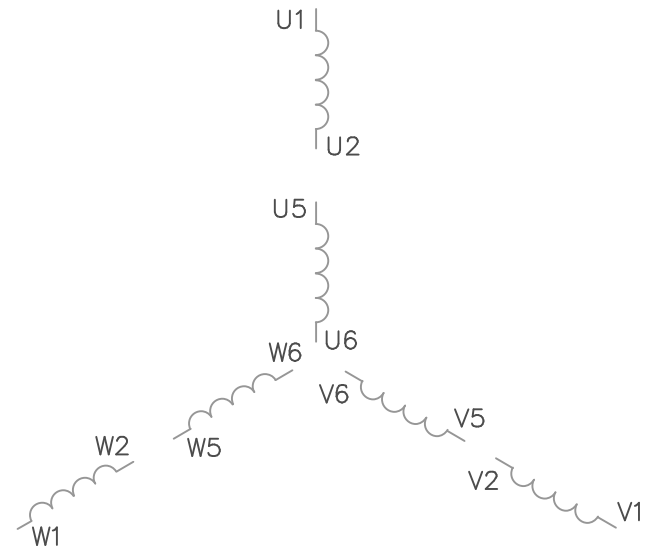
DASH NO.	"C"	"AD"
750	12.96	4.25
800	13.46	4.75
850	13.96	5.25
900	14.46	5.75
950	14.96	6.25
1000	15.46	6.75
1050	15.96	7.25
1100	16.46	7.75
1150	16.96	8.25

				TOLERANCES UNLESS SPECIFIED				DRAWN MGM 2/21/03	
				DEC INCHES				CHK	
				X ±.1		XX ±.03		APPR RDW 2/21/03	
02 REV TO MATCH ORACLE				LST 8/13/2010		XX XXX ±.005		SCALE 1:2	
- UPDATE & REDRAWN IN SOLIDWORKS				LST 12/10/2009		XX XXXX ±.0005		REF 035450	
NO REVISION				BY & DATE		CHK ANG ±1/2°		FINISH	
THIRD ANGLE PROJECTION				RFP		PREV		PAGE OF	
				NETWORK FILE NAME 035465		SIZE B		DRAWING NO 035465	
								REV 02	

VIEW FROM OUTSIDE OF MOTOR AT SWITCH END.



LINE LEADS



VOLTAGE	L1	L2	L3	JOIN
(2Δ) LOW	U1,W2 U5,W6	V1,U2 V5,U6	W1,V2 W5,V6	----
(2Y) MEDIUM	U1,U5	V1,V5	W1,W5	(U2,V2,W2) (U6,V6,W6)
(1Δ) HIGH	U1,W6	V1,U6	W1,V6	(U2,U5) (V2,V5) (W2,W5)

TOLERANCES UNLESS OTHERWISE SPECIFIED

DECIMALS

.00 ± .01

.000 ± .005

.0000 ± .0005

FRACTIONS ± 1/64

ANGLES ± 1/2°

INCH/MM

LEESON ELECTRIC CORPORATION

DRAWN GWS 2/23/96

CH'K'D.

APPR.

SCALE 1=1

REF. 005352 PG 3

FMF

TITLE

MAT'L.

FINISH

EXT. WIRING DIAGRAM

TYPE "T" W/O PROTECTOR

DECAL - 080590

STOCK

SIZE

A

DRAWING NO.

005381-01

1 REDRAWN TO CURRENT STANDARDS

NO. REVISION

DBT

BY

05/30/97

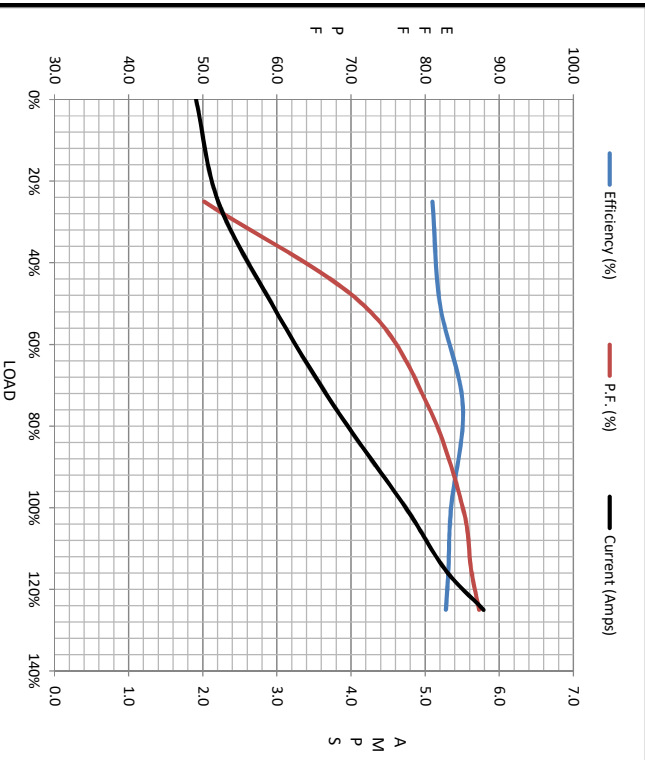
DATE

THIS DRAWING IN DESIGN AND DETAIL IS OUR PROPERTY AND MUST NOT BE USED EXCEPT IN CONNECTION WITH OUR WORK ALL RIGHTS OF DESIGN AND INVENTION ARE RESERVED



Motor Load Data						LR		
Load	0%	25%	50%	75%	100%	115%	125%	
Current (Amps)	1.91	2.21	2.93	3.8	4.7	5.3	5.8	35.4
Torque (ft-lb)	0.00	1.40	2.70	4.1	5.4	6.1	6.8	15.0
RPM	3000	2972	2947	2918	2887	2873	2853	0
Efficiency (%)		81.0	82.0	85.1	83.5	83.2	82.8	
P.F. (%)	13.5	50.2	71.5	80.4	85.1	86.2	87.3	0.0

Motor Speed Data					Information Block					
	LR	Pull-Up	BD	Rated	Idle	HP	Sync. RPM	Frame	Enclosure	Construction
Speed (RPM)	0	1500	2760	2887	3000	3.0	3000	180	IP54	NA
Current (Amps)	35.4	32.6	21.3	4.7	1.91					220/380
Torque (ft-lb)	15.0	14.4	18.2	5.4	0.00					50
										Design
										LR Code letter
										K
										Service Factor
										1.15
										Temp Rise @ FL
										0
										Duty
										CONT
										Ambient
										40
										Elevation
										1,000
										feet
										Rotor/Shaft wk ²
										0.12
										Ref Wdg
										T8263 FR
										Sound Pressure @ 1M
										999
										dB(A)
										VFD Rating
										NONE
										Outline Dwg
										035465-800
										Conn. Diag
										005381.01
										Additional Specifications:
										0
										EQUIV CKT (OHMS / PHASE)
										R1
										0.0000
										R2
										0.0000
										X1
										0.0000
										X2
										0.0000
										Xm
										0.0000



	R1	R2	X1	X2	Xm
0.0000	0.0000	0.0000	0.0000	0.0000	0.0000

