

PRODUCT INFORMATION PACKET



Model No: C182C17DB8A
Catalog No: 131515.00
2HP..1740RPM.182.DP.115/208-230V.1PH.60HZ.CONT.NOT.40C.1.15SF.RIGID.GENERAL
PURPOSE.C182C17DB8A
Air Compressor



Regal and Leeson are trademarks of Regal Beloit Corporation or one of its affiliated companies.

©2018 Regal Beloit Corporation, All Rights Reserved. MC017097E





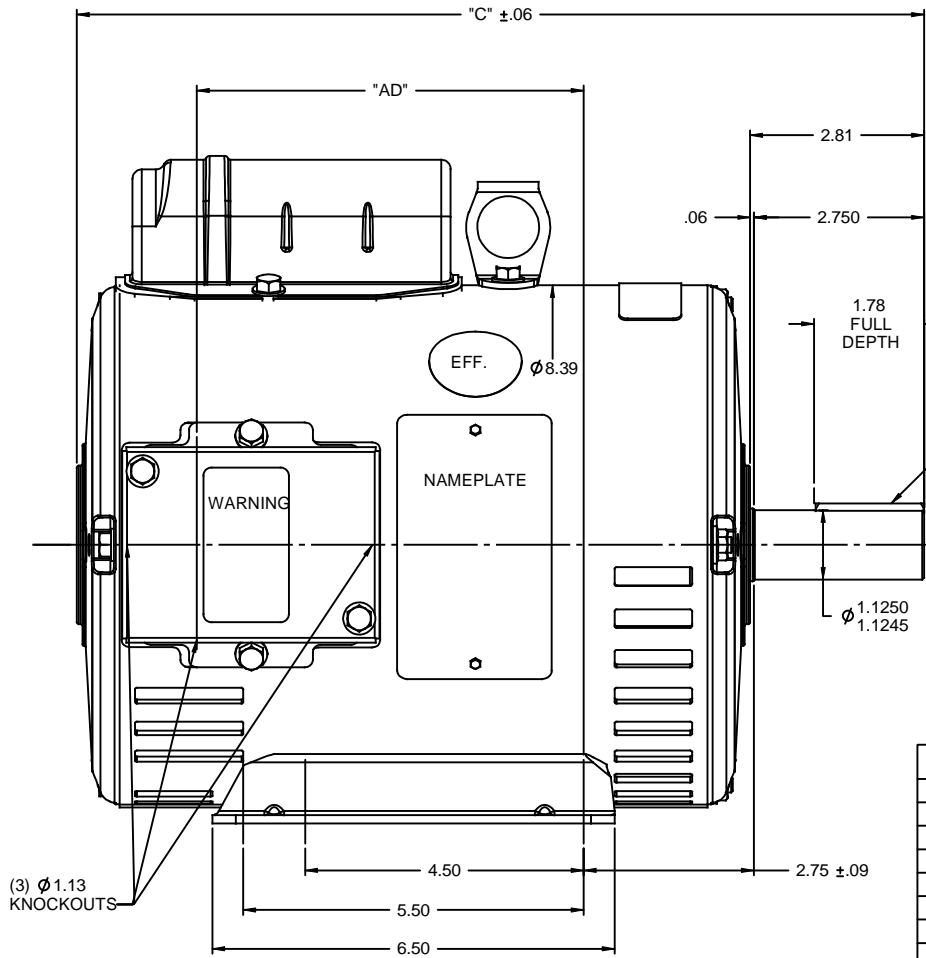
Nameplate Specifications

Output HP	2 Hp	Output KW	1.5 kW
Frequency	60 Hz	Voltage	115/208-230 V
Current	24.5/13.0-12.4 A	Speed	1740 rpm
Service Factor	1.15	Phase	1
Efficiency	72 %	Duty	Continuous
Insulation Class	F	Design Code	L
KVA Code	K	Frame	182T
Enclosure	Drip Proof	Overload Protector	No
Ambient Temperature	40 °C	Drive End Bearing Size	6206
Opp Drive End Bearing Size	6205	UL	Recognized
CSA	Y	CE	N
IP Code	22		

Technical Specifications

Electrical Type	Capacitor Start Induction Run	Starting Method	Across The Line
Poles	4	Rotation	Selective Counterclockwise
Mounting	Rigid base	Motor Orientation	HORIZONTAL
Drive End Bearing	BALL	Opp Drive End Bearing	BALL
Frame Material	Rolled Steel	Shaft Type	T
Overall Length	13.19 in	Frame Length	9.00 in
Shaft Diameter	1.125 in	Shaft Extension	2.75 in
Assembly/Box Mounting	F1 ONLY		
Outline Drawing	035348-900	Connection Diagram	005062.01

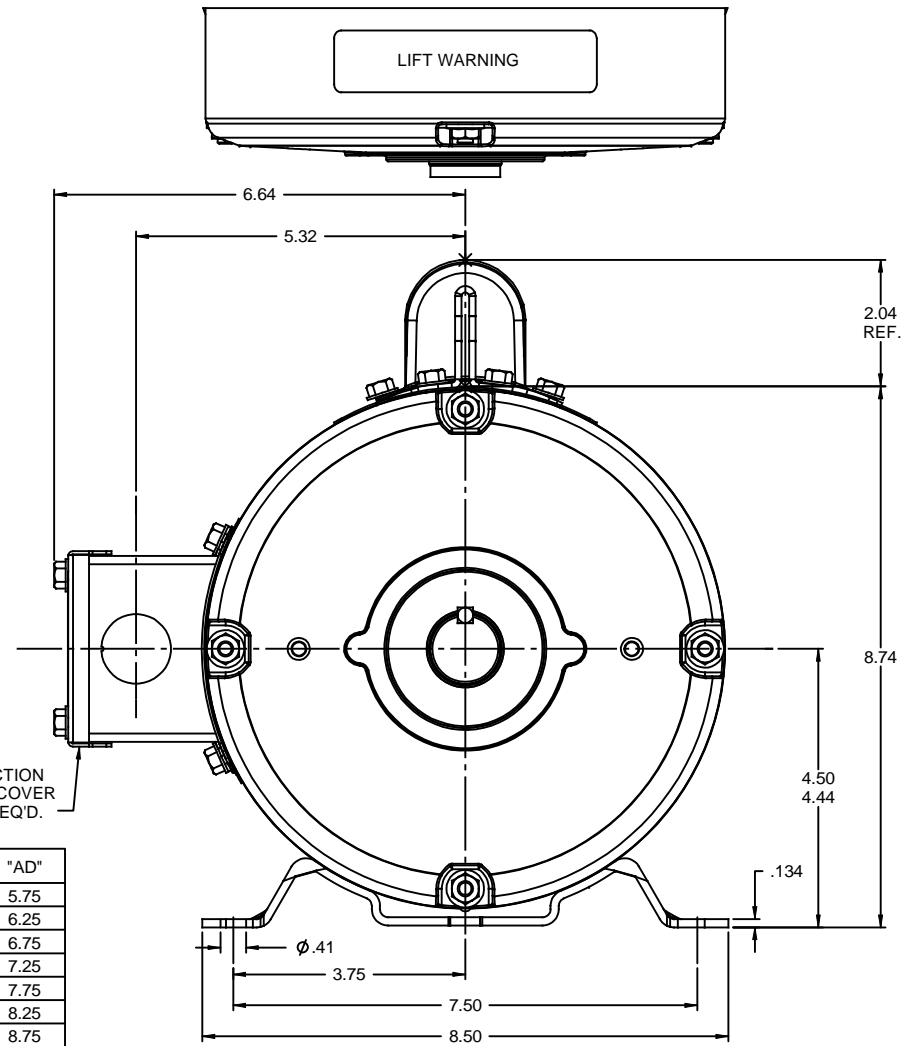
RBC PROPRIETARY AND CONFIDENTIAL INFORMATION
 This document is the property of REGAL BELOIT CORPORATION ("RBC") including its subsidiaries and divisions and contains proprietary information of RBC. This document is loaned on the express condition that neither it nor the information contained therein shall be disclosed to others without the express written consent of RBC, and that the information shall be used by the recipient only as approved expressly by RBC. This document shall be returned to RBC upon its request. This document may be subject to certain restrictions under U.S. export control laws and regulations.



(3) Ø 1.13 KNOCKOUTS

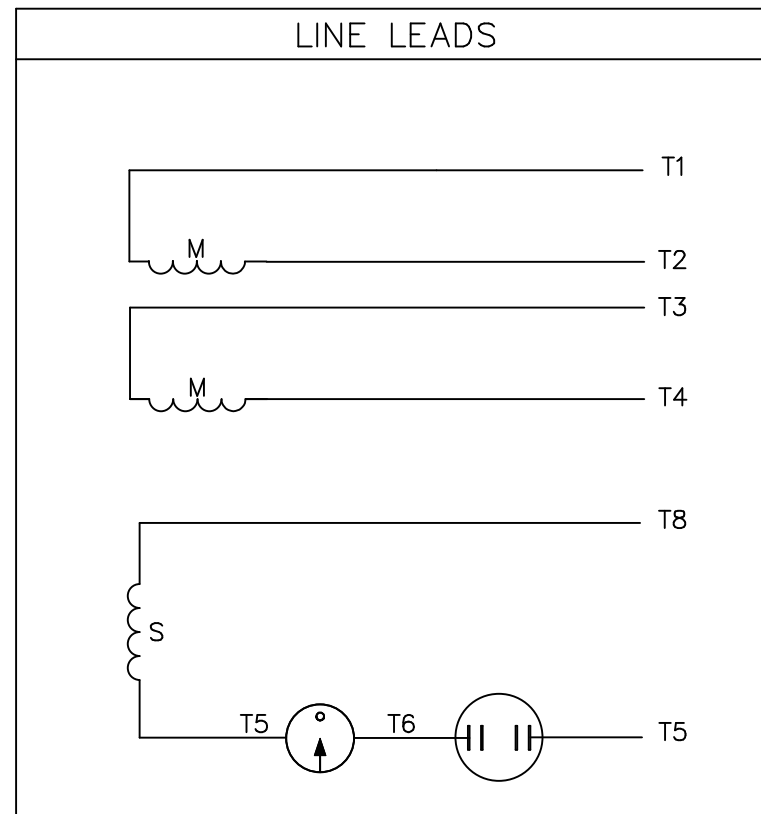
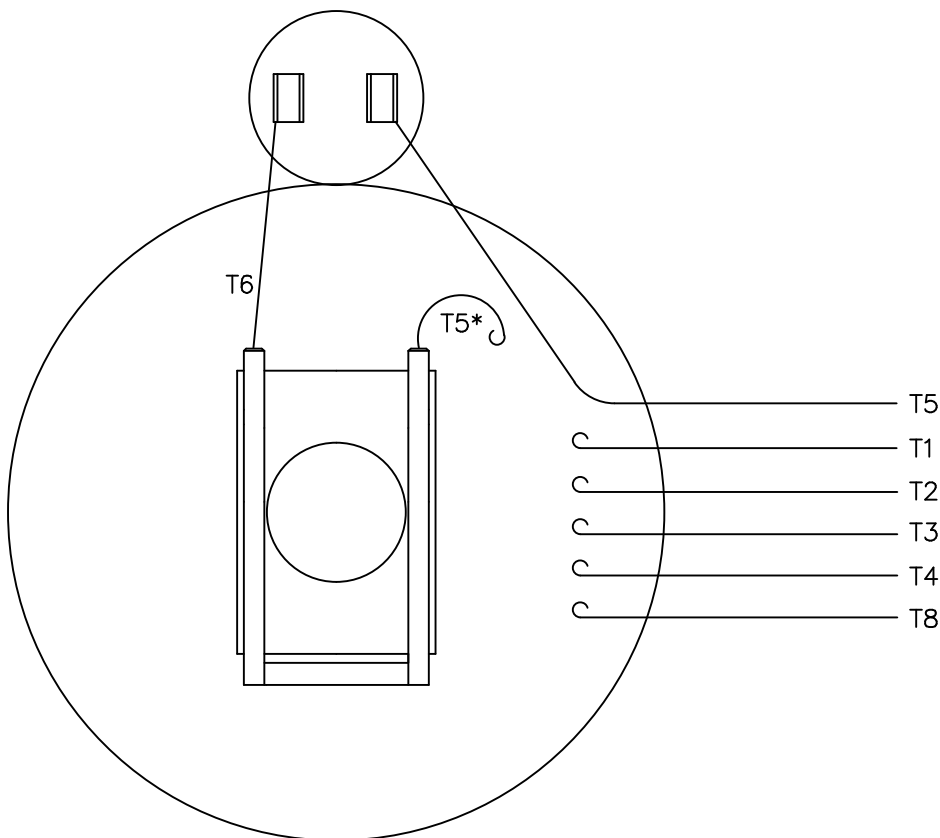
DASH NO.	"C"	"AD"
900	13.19	5.75
950	13.69	6.25
1000	14.19	6.75
1050	14.69	7.25
1100	15.19	7.75
1150	15.69	8.25
1200	16.19	8.75
1250	16.69	9.25

DECAL-
CONNECTION
UNDER COVER
WHEN REQ'D.




		TOLERANCES UNLESS SPECIFIED		DRAWN PG 8/18/97	
		DEC	INCHES	REGAL BELOIT CORPORATION	
		X	±.1	CHK	
		.XX	±.03	APPR	
		.XXX	±.005	TITLE OUTLINE - 180T FRAME	
		.XXXX	±.0005	DRIP PROOF - RIGID MOUNT - 1 PH.	
- UPDATED & REDRAWN IN SOLIDWORKS		LST 12/31/2009	XX	SCALE 1:2	
NO		REVISION	BY & DATE	REF 035000	
			CHK ANG ±1/2°	FMF 131515	
			RFP	PAGE OF	
THIRD ANGLE PROJECTION			FINISH	REV	
			PREV	SIZE DRAWING NO	
			NETWORK FILE NAME	B 035348	

VIEW FROM OUTSIDE OF MOTOR AT SWITCH END.



	ROTATION FACING LEAD END	L1	L2	JOIN
HIGH VOLT	C.C.W.	T1	T4 T5	T2,T3 T8
	C.W.	T1	T4 T8	T2,T3 T5
LOW VOLT	C.C.W.	T1,T3 T8	T2,T4 T5	---
	C.W.	T1,T3 T5	T2,T4 T8	---

* THIS LEAD MAY BE WHITE

		TOLERANCES UNLESS SPECIFIED		 ELECTRIC MOTORS GEARMOTORS AND DRIVES		DRAWN JRW 12/05/74			
		DEC.	INCHES			CHK			
			.X	±.1		APPD T.E.M.			
12	ALTERNATE T5 LEAD MARKING WAS RED	RLW 8/6/02	.XX	±.01	TITLE	SCALE 1=1			
11	ADDED ALTERNATE T5 LEAD MARKING	RLW 5/31/02	KH .XXX	±.005		EXT. WIRING DIAGRAM TYPE "C" W/O PROTECTOR			
10	UPDATED TO CURRENT STANDARDS	DBT 06/09/97	.XXXX	±.0005	MAT'L.	REF A-005061			
			ANG	±1/2"		DECAL - 004012			
NO.	REVISION	BY & DATE	CHK	ANG	FINISH	FMF	PREV		
THIS DRAWING IN DESIGN AND DETAIL IS OUR PROPERTY AND MUST NOT BE USED EXCEPT IN CONNECTION WITH OUR WORK ALL RIGHTS OF DESIGN AND INVENTION ARE RESERVED THIS IS AN ELECTRONICALLY GENERATED DOCUMENT - DO NOT SCALE THIS PRINT			RFP		CAD FILE	00506201	SIZE	DRAWING NO.	REV.
			DIST	NLV			A	005062-01	12



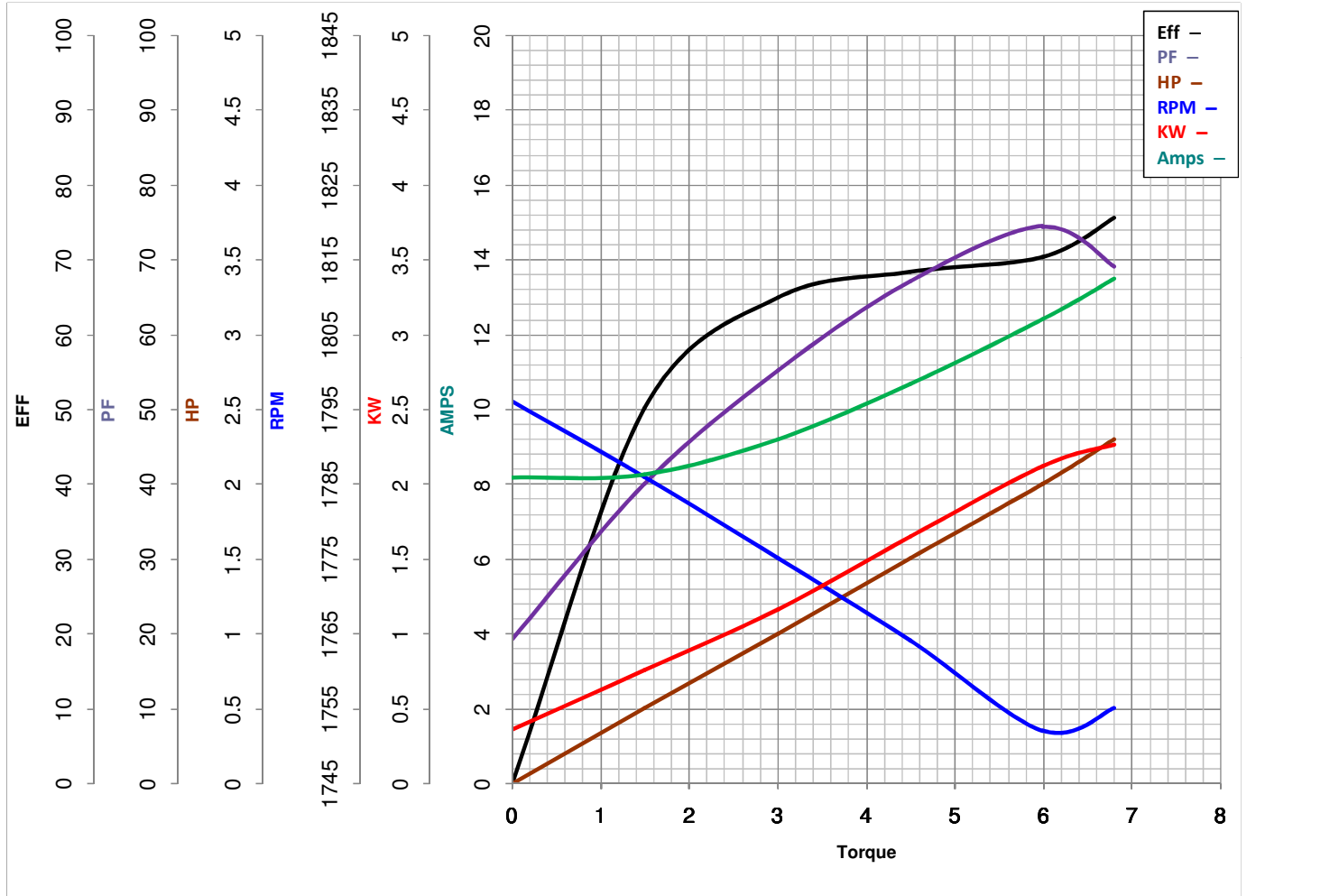
LEESON ELECTRIC CORPORATION
 TYPICAL PERFORMANCE CURVE for AC MOTOR

Model No 131515.00

Curve at 230 Volts HP 2.00 PHASE 1
60 HZ
2 HP VOLTS 115/208-230

Catalog No 131515.00

HZ 60 RPM 1740



FL TORQUE	<u>6</u>	Lb.Ft	FL AMPS	<u>24.5/13-12.4</u>
BD TORQUE	<u>16.1</u>	Lb.Ft	PU TORQUE	<u>15.0</u> Lb.Ft
LR TORQUE	<u>20.6</u>	Lb.Ft	LR AMPS	<u>78</u>
WINDING	C842-3		Date	5/17/2018