

PRODUCT INFORMATION PACKET



Model No: 131533.00

Catalog No: 131533.00

General Purpose Motors, TEFC, 3 HP, 1 Ph, 60 Hz, 115/208-230 V, 1740 RPM, 184T

General Purpose Motors



Regal and Leeson are trademarks of Regal Rexnord Corporation or one of its affiliated companies.
©2022 Regal Rexnord Corporation, All Rights Reserved. MC017097E





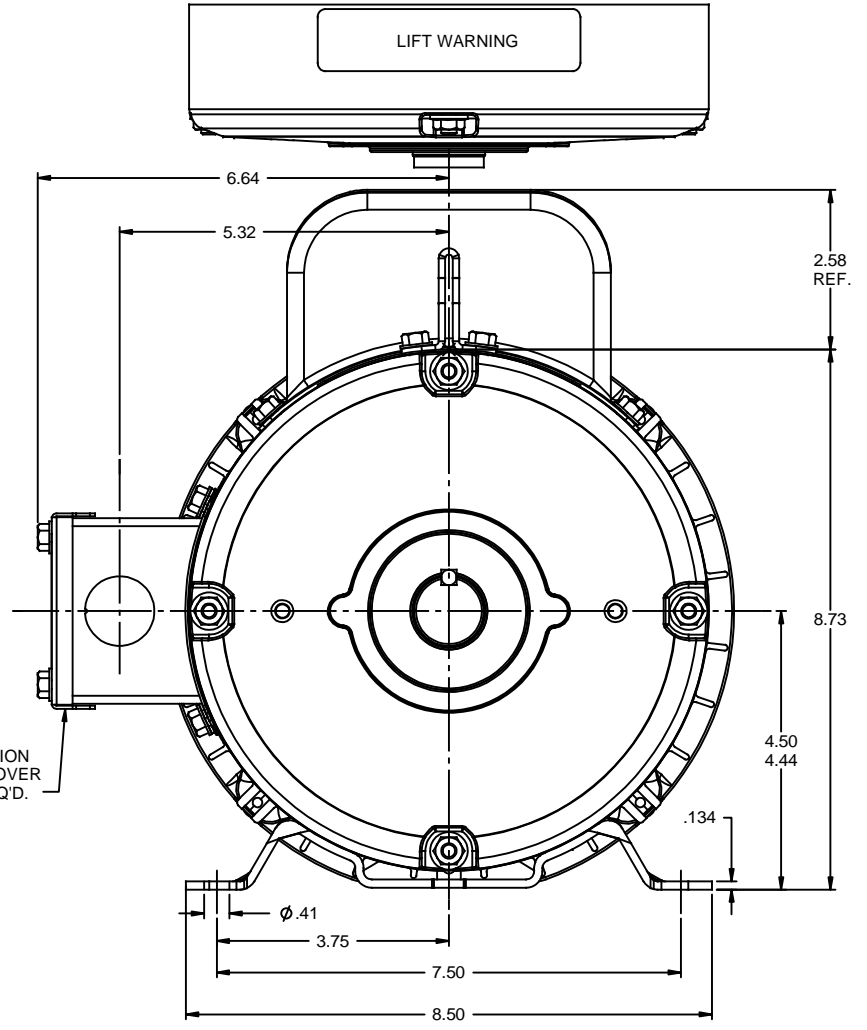
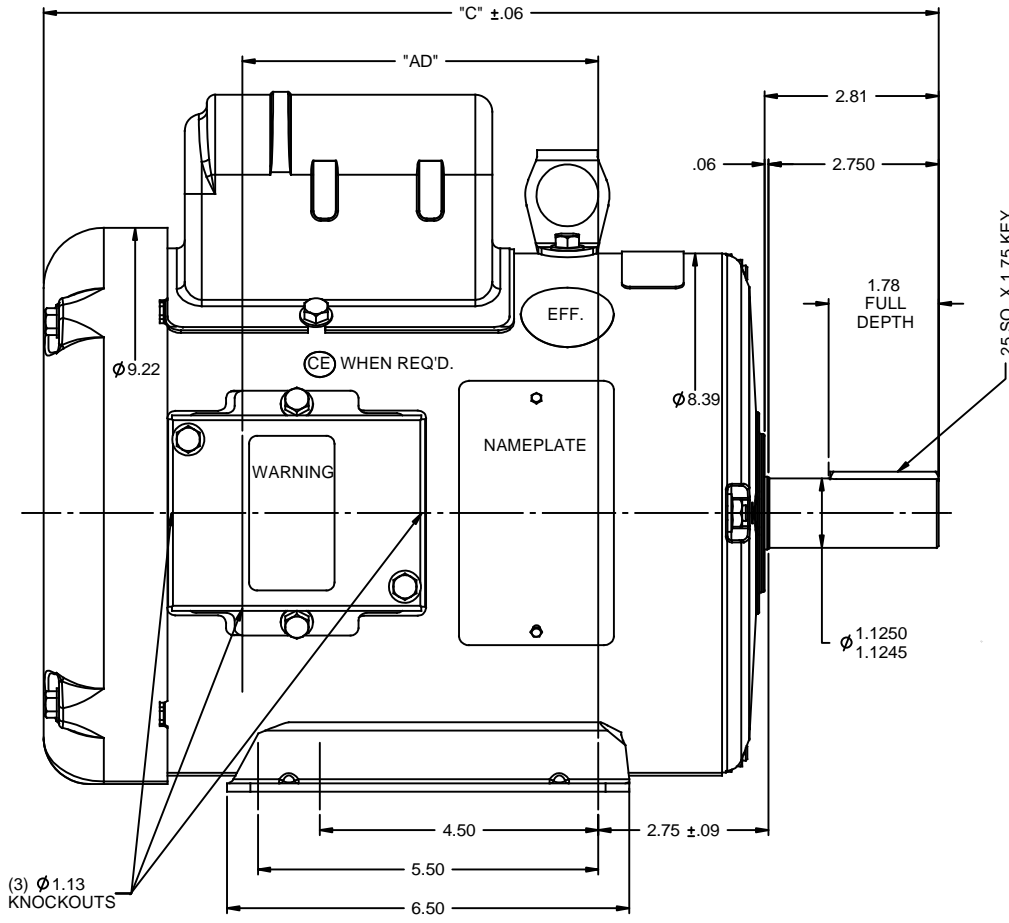
Nameplate Specifications

Output HP	3 Hp	Output KW	2.2 kW
Frequency	60 Hz	Voltage	115/208-230 V
Current	33.6/18.0-16.8 A	Speed	1740 rpm
Service Factor	1	Phase	1
Efficiency	77 %	Power Factor	75
Duty	Continuous	Insulation Class	F
Design Code	L	KVA Code	J
Frame	184T	Enclosure	Totally Enclosed Fan Cooled
Thermal Protection	No	Ambient Temperature	40 °C
Drive End Bearing Size	6206	Opp Drive End Bearing Size	6205
UL	Recognized	CSA	Y
CE	N	IP Code	43
Number of Speeds	1		

Technical Specifications

Electrical Type	Capacitor Start Induction Run	Starting Method	Across The Line
Poles	4	Rotation	Selective Counterclockwise
Resistance Main	.642 Ohms	Mounting	Rigid Base
Motor Orientation	Horizontal	Drive End Bearing	Ball
Opp Drive End Bearing	Ball	Frame Material	Rolled Steel
Shaft Type	T	Overall Length	16.46 in
Frame Length	11.00 in	Shaft Diameter	1.125 in
Shaft Extension	2.75 in	Assembly/Box Mounting	F1 ONLY
Outline Drawing	035352-1100	Connection Drawing	005062.01

RBC PROPRIETARY AND CONFIDENTIAL INFORMATION
 This document is the property of REGAL BELOIT CORPORATION ("RBC") including its subsidiaries and divisions and contains proprietary information of RBC. This document is loaned on the express condition that neither it nor the information contained therein shall be disclosed to others without the express written consent of RBC, and that the information shall be used by the recipient only as approved expressly by RBC. This document shall be returned to RBC upon its request. This document may be subject to certain restrictions under U.S. export control laws and regulations.

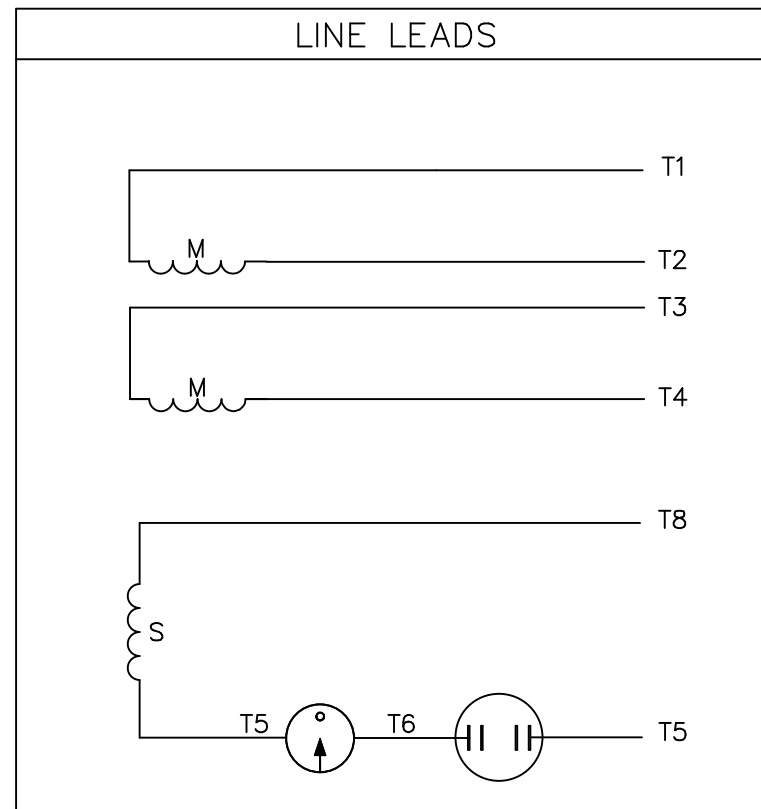
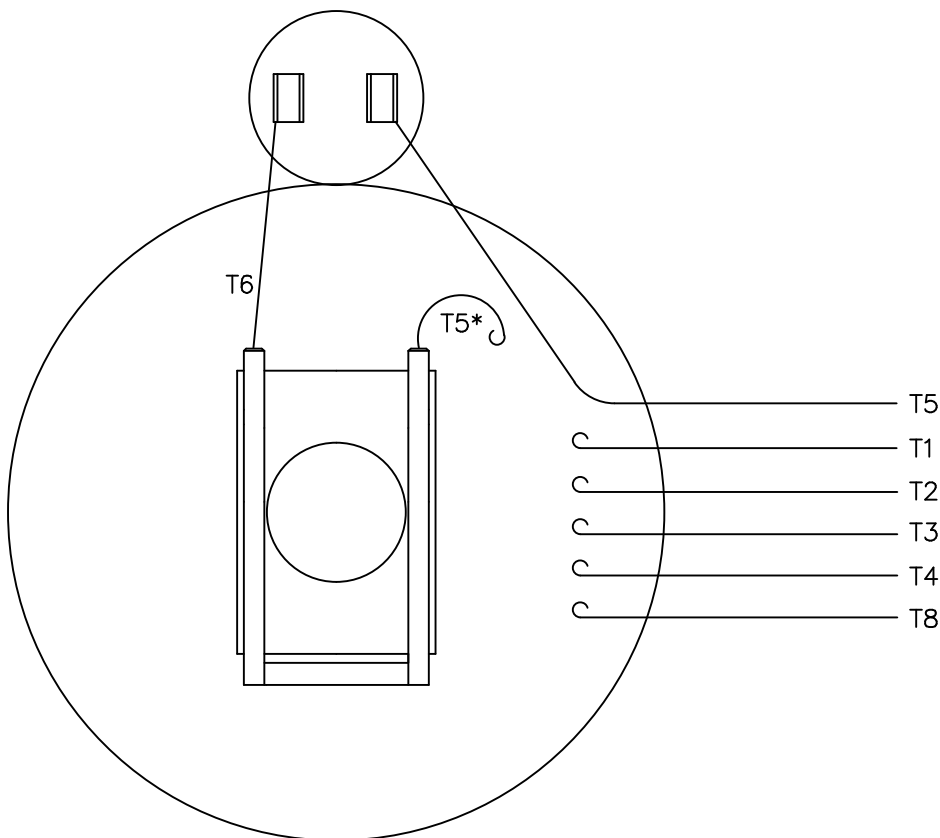


DASH NO.	"C"	"AD"
800	13.46	4.75
850	13.96	5.25
900	14.46	5.75
950	14.96	6.25
1000	15.46	6.75
1050	15.96	7.25
1100	16.46	7.75
1150	16.96	8.25
1200	17.46	8.75

GASKETS THROUGHOUT


		TOLERANCES UNLESS SPECIFIED:		DRAWN PG 6/20/97	
		DEC INCHES		CHK RK 6/20/97	
		X ±.1		APPR	
		.XX ±.03		TITLE OUTLINE - 180T FRAME	
		.XXX ±.005		TEFC - RIGID MOUNT	
- UPDATED & REDRAWN TO SOLIDWORKS		LST 12/15/2009		MATL	
NO REVISION		BY & DATE		FINISH	
THIRD ANGLE PROJECTION		CHK ANG ±1/2"		PREV	
		RFP		SIZE DRAWING NO	
		NETWORK FILE NAME		B 035352	
				PAGE OF	
				REV -	

VIEW FROM OUTSIDE OF MOTOR AT SWITCH END.



* THIS LEAD MAY BE WHITE

	ROTATION FACING LEAD END	L1	L2	JOIN
HIGH VOLT	C.C.W.	T1	T4 T5	T2,T3 T8
	C.W.	T1	T4 T8	T2,T3 T5
LOW VOLT	C.C.W.	T1,T3 T8	T2,T4 T5	---
	C.W.	T1,T3 T5	T2,T4 T8	---

		TOLERANCES UNLESS SPECIFIED		TITLE	DRAWN	CHK			
		DEC.	INCHES				APPD	T.E.M.	
		.X	±.1	 ELECTRIC MOTORS GEARMOTORS AND DRIVES	JRW 12/05/74 SCALE 1=1				
12	ALTERNATE T5 LEAD MARKING WAS RED	RLW	8/6/02		.XX	±.01	REF A-005061		
11	ADDED ALTERNATE T5 LEAD MARKING	RLW	5/31/02		KH	.XXX	±.005		
10	UPDATED TO CURRENT STANDARDS	DBT	06/09/97			.XXXX	±.0005		
NO.	REVISION	BY & DATE	CHK	ANG	±1/2"	FINISH	PREV		
THIS DRAWING IN DESIGN AND DETAIL IS OUR PROPERTY AND MUST NOT BE USED EXCEPT IN CONNECTION WITH OUR WORK ALL RIGHTS OF DESIGN AND INVENTION ARE RESERVED THIS IS AN ELECTRONICALLY GENERATED DOCUMENT - DO NOT SCALE THIS PRINT				RFP	CAD FILE	00506201	SIZE	DRAWING NO.	REV.
				DIST	NLV		A	005062-01	12



1051 CHEYENNE AVE.
GRAFTON, WI 53024
PH. 262-377-8810

CERTIFICATION DATA SHEET

CONN. DIAGRAM: 005062.01
OUTLINE: 035352-1100
WINDING #: C8427 FR 3 A

CATALOG #: 131533.00
MOUNTING: F1 ONLY

TYPICAL MOTOR PERFORMANCE DATA

HP	kW	SYNC. RPM	F.L. RPM	FRAME	ENCLOSURE	KVA CODE	DESIGN
3	2.24	1800	1740	184T	TEFC	J	L

PH	Hz	VOLTS	AMPS	START TYPE	DUTY	INSL	S.F.	AMB°C
1	60	115/208-230	33.6/18-16.8	ACROSS THE LINE	CONTINUOUS	F4	1.0	40

FULL LOAD EFF:	77	3/4 LOAD EFF:	74.2	1/2 LOAD EFF:	70.9	GTD. EFF	ELEC. TYPE
FULL LOAD PF:	75	3/4 LOAD PF:	72.5	1/2 LOAD PF:	61.7	74	CAP START IND RUN

F.L. TORQUE	LOCKED ROTOR AMPS	L.R. TORQUE	B.D. TORQUE	F.L. RISE°C
9 LB-FT	200 / 100	24 LB-FT 267 %	19.5 LB-FT 217 %	75

SOUND PRESSURE @ 3 FT.	SOUND POWER	ROTOR WK^2	MAX. WK^2	SAFE STALL TIME	STARTS / HOUR	APPROX. MOTOR WGT
0 dBA	10 dBA	0.51 LB-FT^2	0.5 LB-FT^2	0 SEC.	0	86 LBS.

***** SUPPLEMENTAL INFORMATION *****

DE BRACKET TYPE	ODE BRACKET TYPE	MOUNT TYPE	ORIENTATION	SEVERE DUTY	HAZARDOUS LOCATION	DRIP COVER	SCREENS	PAINT
STANDARD	STANDARD	RIGID	HORIZONTAL	FALSE	NONE	FALSE	NONE	BLUE - LEESON (ENAMEL)

BEARINGS		GREASE	SHAFT TYPE	SPECIAL DE	SPECIAL ODE	SHAFT MATERIAL	FRAME MATERIAL
DE	ODE						
BALL	BALL	POLYREX EM	T	NONE	NONE	AISI 1045 (C-240)	ROLLED STEEL
6206	6205						

THERMO-PROTECTORS				THERMISTORS	CONTROL	SPACE HEATERS
THERMOSTATS	PROTECTORS	WDG RTDs	BRG RTDs			
NONE	NOT	NONE	NONE	NONE	FALSE	NONE VOLTS

INVERTER TORQUE: NONE
INV. HP SPEED RANGE: NONE
ENCODER: NONE
NONE NONE
NONE NONE PPR
BRAKE: NONE NONE
NONE P/N NONE
NONE NONE
NONE FT-LB NONE V NONE Hz

*
N
O
T
E
S
*



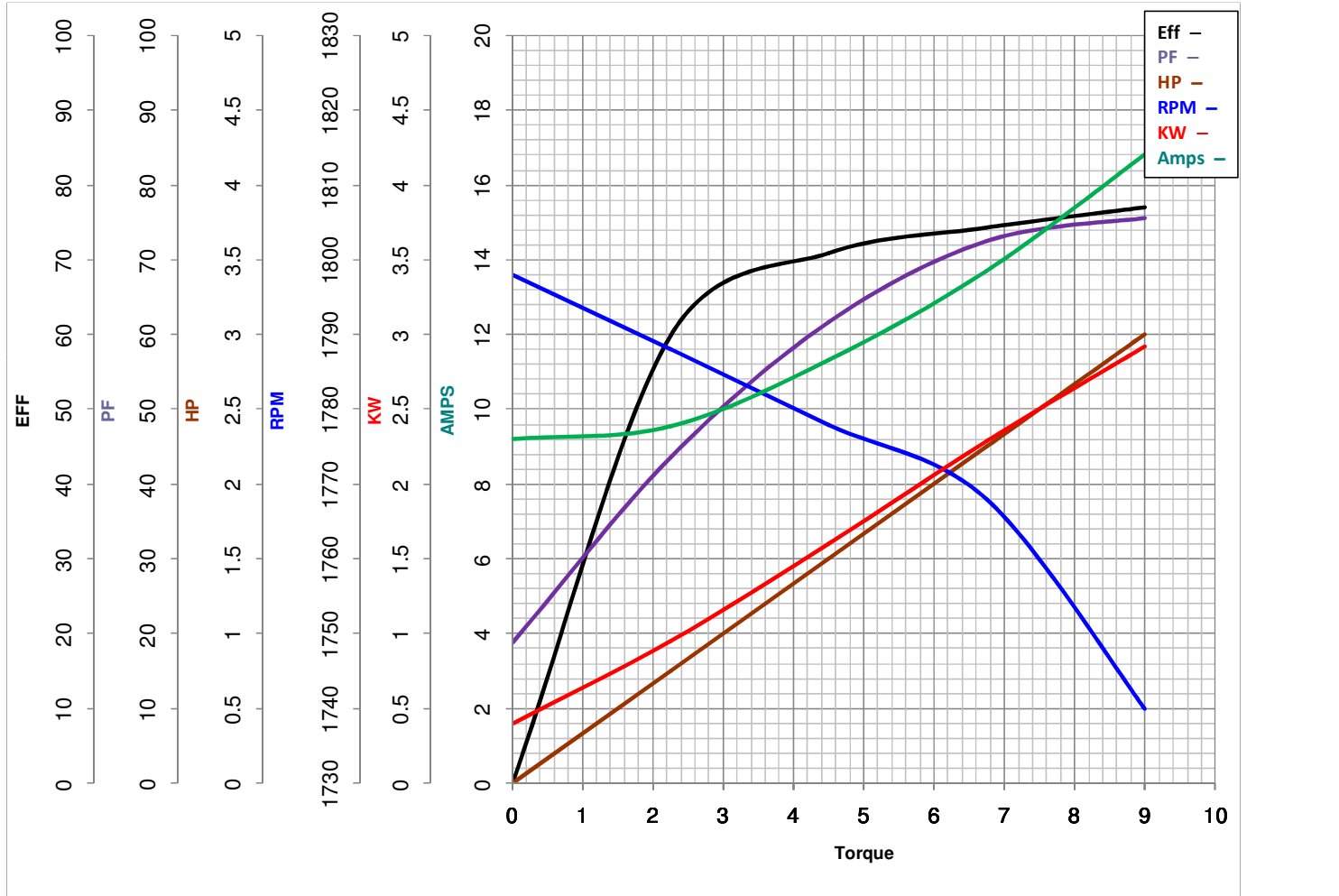
LEESON ELECTRIC CORPORATION
 TYPICAL PERFORMANCE CURVE for AC MOTOR

Model No 131533.00

Curve at 230 Volts HP 3.00 PHASE 1
60 HZ
3 HP VOLTS 115/208-230

Catalog No 131533.00

HZ 60 RPM 1740



Torque in Lb.Ft

FL TORQUE 9 Lb.Ft
 BD TORQUE 19.5 Lb.Ft
 LR TORQUE 24 Lb.Ft

FL AMPS 33.6/18-16.8
 PU TORQUE 17.6 Lb.Ft
 LR AMPS 100

WINDING C8427-3

Date 3/27/2018