

# PRODUCT INFORMATION PACKET



Model No: C184K17FB15C

Catalog No: 131538.00

..5HP..1740RPM.184T.TEFC./230V.1PH.60HZ.CONT.40C.1.0SF.RIGID.C184K17FB15C.....GENERAL  
PURPOSE.NOT.....

Totally Enclosed Fan Cooled (TEFC)



Regal and Leeson are trademarks of Regal Beloit Corporation or one of its affiliated companies.

©2018 Regal Beloit Corporation, All Rights Reserved. MC017097E





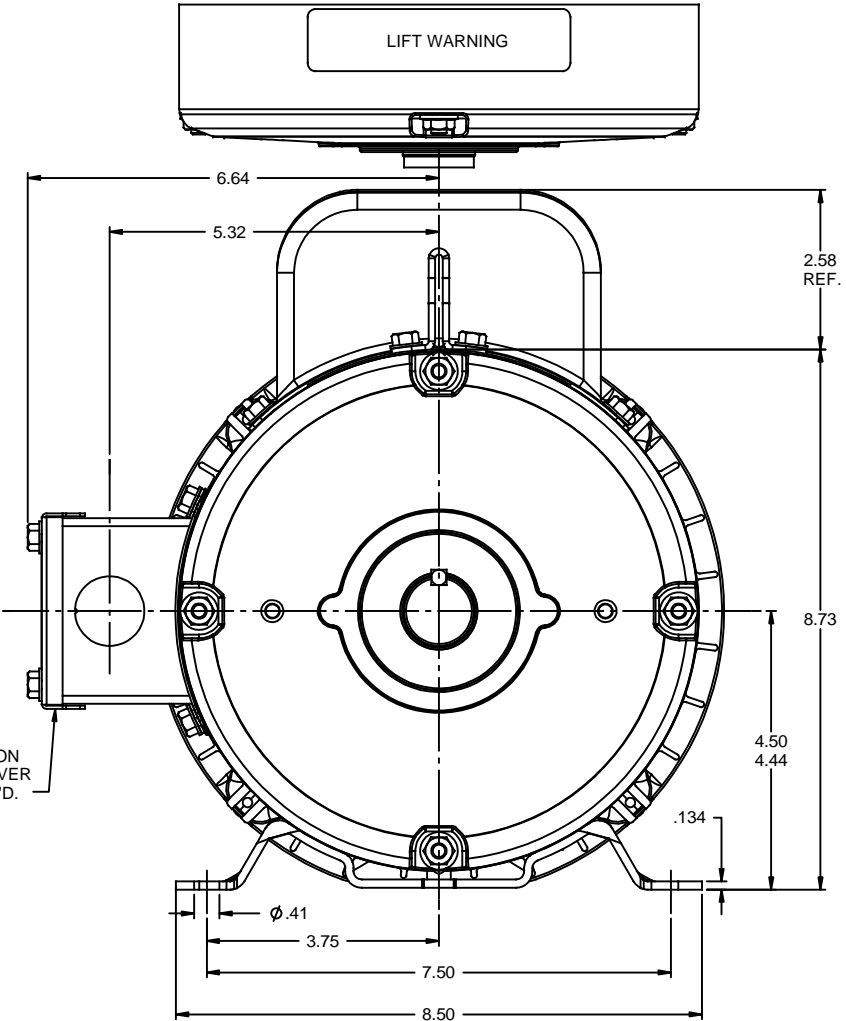
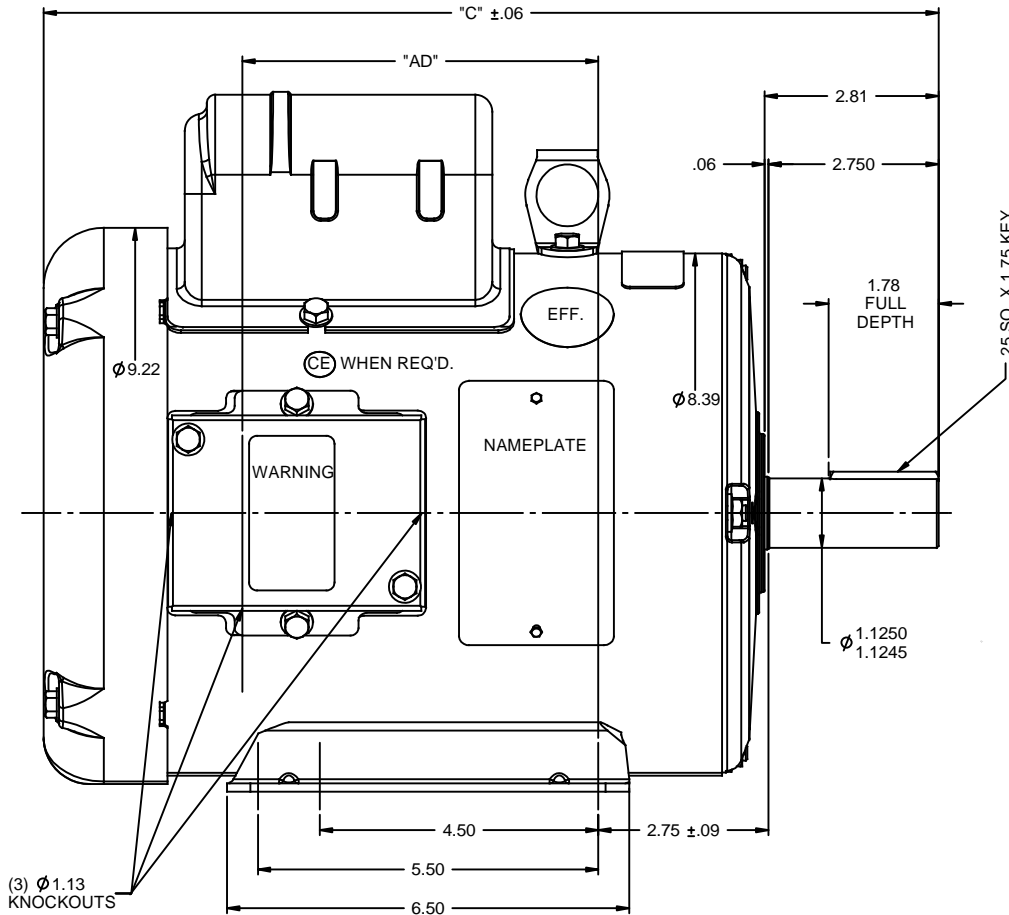
### Nameplate Specifications

Output HP	<b>5 Hp</b>	Output KW	<b>3.7 kW</b>
Frequency	<b>60 Hz</b>	Voltage	<b>230 V</b>
Current	<b>23.0 A</b>	Speed	<b>1740 rpm</b>
Service Factor	<b>1</b>	Phase	<b>1</b>
Efficiency	<b>81 %</b>	Duty	<b>Continuous</b>
Insulation Class	<b>F</b>	Design Code	<b>L</b>
KVA Code	<b>H</b>	Frame	<b>184T</b>
Enclosure	<b>Totally Enclosed Fan Cooled</b>	Overload Protector	<b>No</b>
Ambient Temperature	<b>40 °C</b>	Drive End Bearing Size	<b>6206</b>
Opp Drive End Bearing Size	<b>6205</b>	UL	<b>Recognized</b>
CSA	<b>Y</b>	CE	<b>N</b>
IP Code	<b>43</b>		

### Technical Specifications

Electrical Type	<b>Capacitor Start Capacitor Run</b>	Starting Method	<b>Across The Line</b>
Poles	<b>4</b>	Rotation	<b>Selective Counterclockwise</b>
Mounting	<b>Rigid base</b>	Motor Orientation	<b>HORIZONTAL</b>
Drive End Bearing	<b>BALL</b>	Opp Drive End Bearing	<b>BALL</b>
Frame Material	<b>Rolled Steel</b>	Shaft Type	<b>T</b>
Overall Length	<b>17.46 in</b>	Frame Length	<b>12.00 in</b>
Shaft Diameter	<b>1.125 in</b>	Shaft Extension	<b>2.75 in</b>
Assembly/Box Mounting	<b>F1 ONLY</b>		
Outline Drawing	<b>035352-1200</b>	Connection Diagram	<b>005018.01</b>

RBC PROPRIETARY AND CONFIDENTIAL INFORMATION  
 This document is the property of REGAL BELOIT CORPORATION ("RBC") including its subsidiaries and divisions and contains proprietary information of RBC. This document is loaned on the express condition that neither it nor the information contained therein shall be disclosed to others without the express written consent of RBC, and that the information shall be used by the recipient only as approved expressly by RBC. This document shall be returned to RBC upon its request. This document may be subject to certain restrictions under U.S. export control laws and regulations.

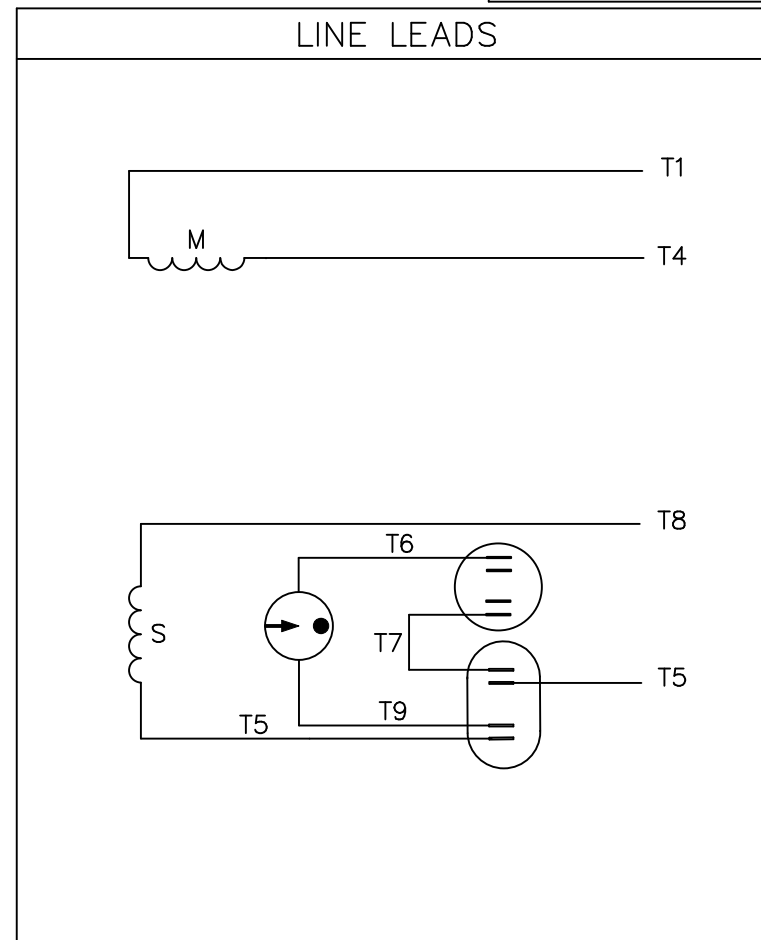
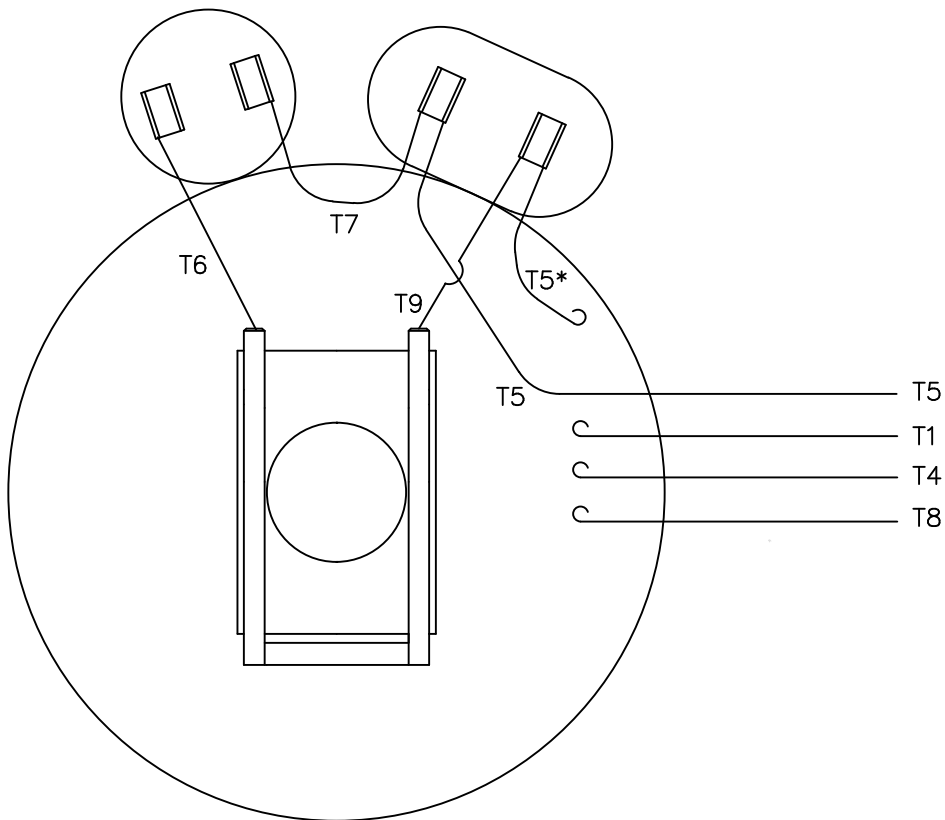


DASH NO.	"C"	"AD"
800	13.46	4.75
850	13.96	5.25
900	14.46	5.75
950	14.96	6.25
1000	15.46	6.75
1050	15.96	7.25
1100	16.46	7.75
1150	16.96	8.25
1200	17.46	8.75

GASKETS THROUGHOUT

		TOLERANCES UNLESS SPECIFIED:			DRAWN PG 6/20/97
		DEC	INCHES		
		x	±.1	APPR	
		.xx	±.03	TITLE	OUTLINE - 180T FRAME
		.xxx	±.005		TEFC - RIGID MOUNT
- UPDATED & REDRAWN TO SOLIDWORKS		LST 12/15/2009	XX .xxx± ±.0005	MATL	SCALE 1:2
NO	REVISION	BY & DATE	CHK ANG ±1/2°	FINISH	REF
			RFP	PREV	FMF
THIRD ANGLE PROJECTION				SIZE	DRAWING NO
				<b>B</b>	<b>035352</b>
			NETWORK FILE NAME		PAGE OF
					REV -

VIEW FROM OUTSIDE OF MOTOR AT SWITCH END.



ROTATION FACING LEAD END	L1	L2
C.C.W.	T1,T8	T4,T5
C.W.	T1,T5	T4,T8

\* THIS LEAD MAY BE WHITE

NO.	REVISION	BY & DATE	CHK	TOLERANCES UNLESS SPECIFIED	
				DEC.	INCHES
				.X	±.1
20	ALTERNATE T5 LEAD MARKING WAS RED	RLW 7/22/02	KH	.XX	±.01
19	ADDED ALTERNATE T5 LEAD MARKING	RLW 5/31/02	KH	.XXX	±.005
18	REDRAWN ON CAD	DBT 06/24/97		.XXXX	±.0005
				ANG	±1/2°



ELECTRIC MOTORS  
GEARMOTORS  
AND DRIVES

DRAWN	ADH 02/19/74
CHK	WRK 02/20/74
APPD	JCW 02/20/74
SCALE	1=1
REF	
FMF	
PREV	

TITLE	EXTERNAL WIRING DIAGRAM TYPE "K" W/O PROTECTOR
MAT'L.	DECAL - 004018
FINISH	

THIS DRAWING IN DESIGN AND DETAIL IS OUR PROPERTY AND MUST NOT BE USED EXCEPT IN CONNECTION WITH OUR WORK ALL RIGHTS OF DESIGN AND INVENTION ARE RESERVED THIS IS AN ELECTRONICALLY GENERATED DOCUMENT - DO NOT SCALE THIS PRINT	RFP	CAD FILE	00501801	SIZE	DRAWING NO.	REV.
	DIST	BRF-NLV		A	005018-01	20

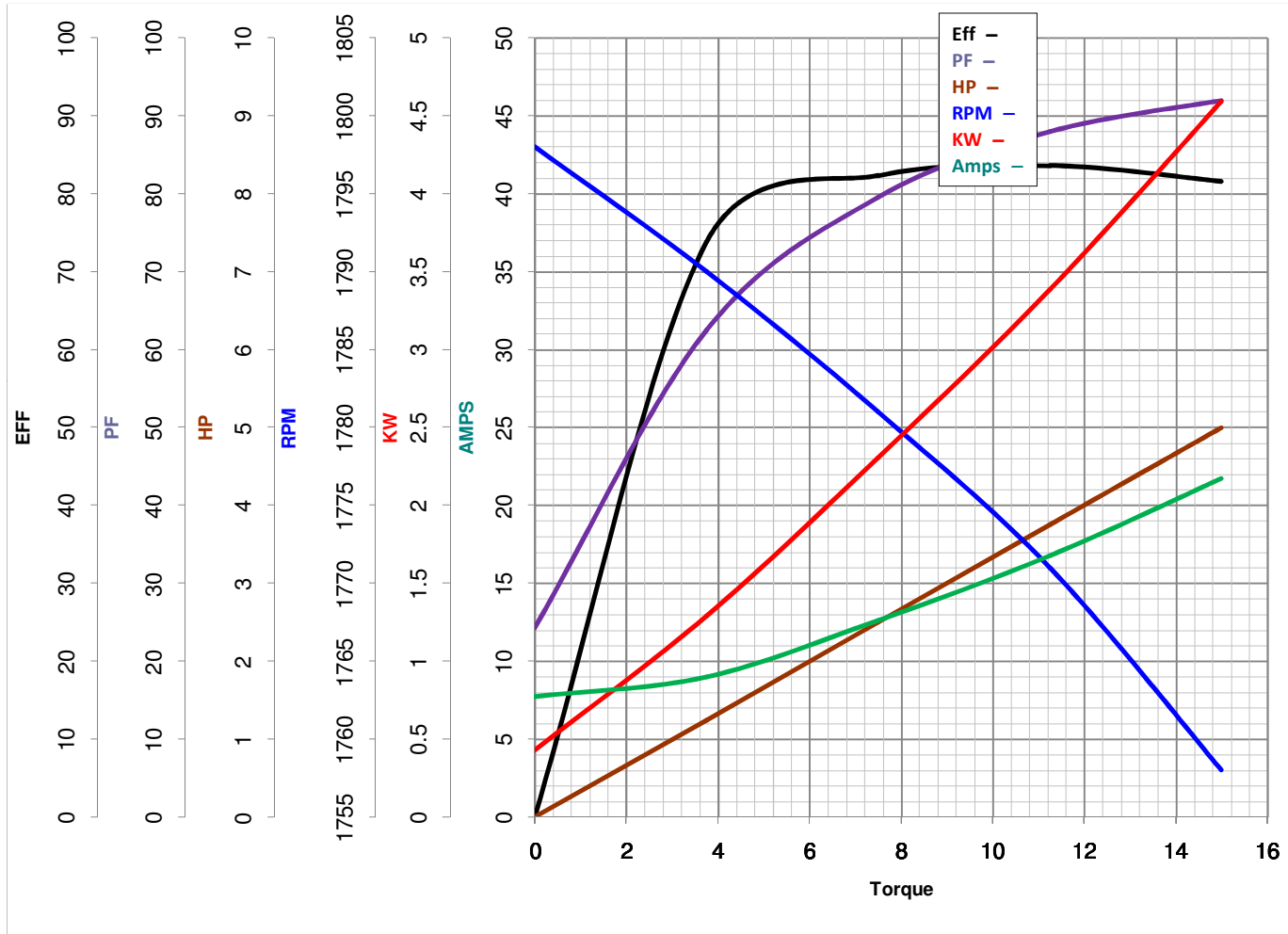


**LEESON ELECTRIC CORPORATION**  
 TYPICAL PERFORMANCE CURVE for AC MOTOR

Model No 131538.00

Catalog No 131538.00

Curve at 230 Volts      HP 5.00      PHASE 1  
60 HZ  
5 HP      VOLTS 230  
    HZ 60      RPM 1740



Torque in Lb.Ft

FL TORQUE 15 Lb.Ft  
 BD TORQUE 35.3 Lb.Ft  
 LR TORQUE 46.5 Lb.Ft

FL AMPS 23  
 PU TORQUE 30.5 Lb.Ft  
 LR AMPS 149

WINDING K843-2

Date 3/26/2018