

# PRODUCT INFORMATION PACKET



Model No: C184K17DC6A  
Catalog No: 131539.00  
5HP..1740RPM.184.DP./208-230V.1PH.60HZ.CONT.NOT.40C.1.15SF.C FACE.GENERAL  
PURPOSE.C184K17DC6A  
Open Drip Proof (ODP)



Regal and Leeson are trademarks of Regal Beloit Corporation or one of its affiliated companies.  
©2018 Regal Beloit Corporation, All Rights Reserved. MC017097E



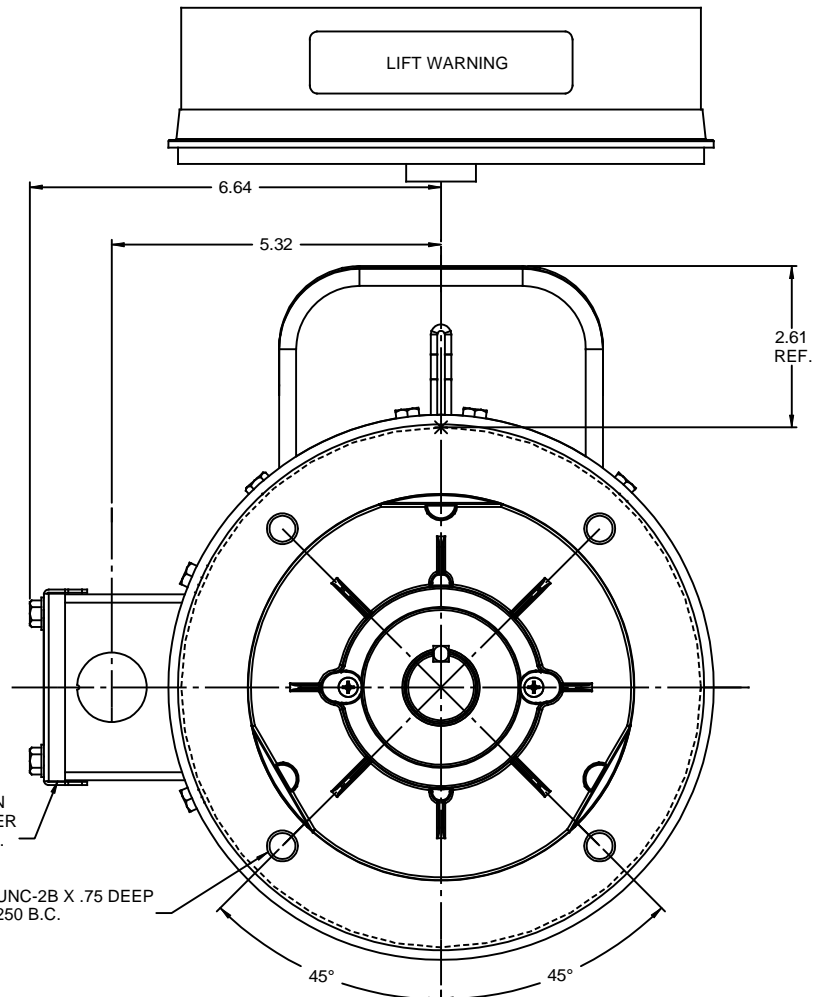
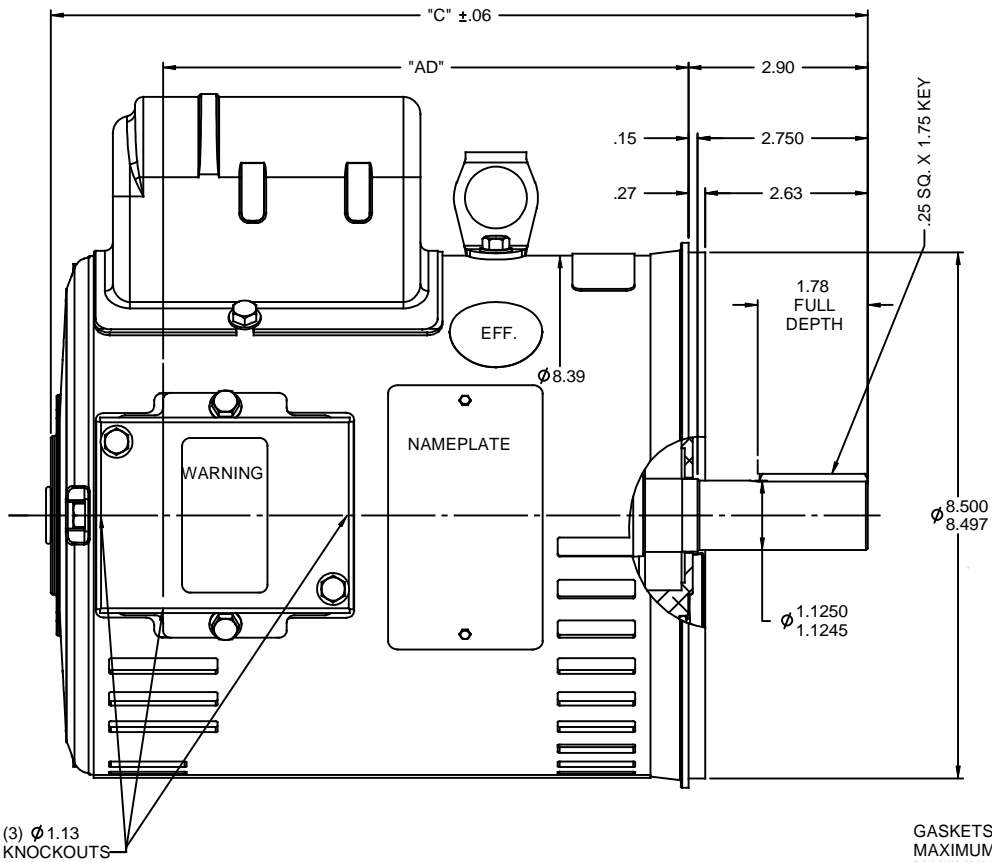


### Nameplate Specifications

|                            |                    |                        |                   |
|----------------------------|--------------------|------------------------|-------------------|
| Output HP                  | <b>5 Hp</b>        | Output KW              | <b>3.7 kW</b>     |
| Frequency                  | <b>60 Hz</b>       | Voltage                | <b>208-230 V</b>  |
| Current                    | <b>23.0-21.0 A</b> | Speed                  | <b>1740 rpm</b>   |
| Service Factor             | <b>1.15</b>        | Phase                  | <b>1</b>          |
| Efficiency                 | <b>83 %</b>        | Duty                   | <b>Continuous</b> |
| Insulation Class           | <b>F</b>           | Design Code            | <b>L</b>          |
| KVA Code                   | <b>H</b>           | Frame                  | <b>184TC</b>      |
| Enclosure                  | <b>Drip Proof</b>  | Overload Protector     | <b>No</b>         |
| Ambient Temperature        | <b>40 °C</b>       | Drive End Bearing Size | <b>6206</b>       |
| Opp Drive End Bearing Size | <b>6205</b>        | UL                     | <b>Recognized</b> |
| CSA                        | <b>Y</b>           | CE                     | <b>N</b>          |
| IP Code                    | <b>22</b>          |                        |                   |

### Technical Specifications

|                       |                                      |                       |                                   |
|-----------------------|--------------------------------------|-----------------------|-----------------------------------|
| Electrical Type       | <b>Capacitor Start Capacitor Run</b> | Starting Method       | <b>Across The Line</b>            |
| Poles                 | <b>4</b>                             | Rotation              | <b>Selective Counterclockwise</b> |
| Mounting              | <b>Round</b>                         | Motor Orientation     | <b>HORIZONTAL</b>                 |
| Drive End Bearing     | <b>BALL</b>                          | Opp Drive End Bearing | <b>BALL</b>                       |
| Frame Material        | <b>Rolled Steel</b>                  | Shaft Type            | <b>T</b>                          |
| Overall Length        | <b>14.70 in</b>                      | Frame Length          | <b>10.50 in</b>                   |
| Shaft Diameter        | <b>1.125 in</b>                      | Shaft Extension       | <b>2.75 in</b>                    |
| Assembly/Box Mounting | <b>F1 ONLY</b>                       |                       |                                   |
| Outline Drawing       | <b>035371-1050</b>                   | Connection Diagram    | <b>005018.01</b>                  |

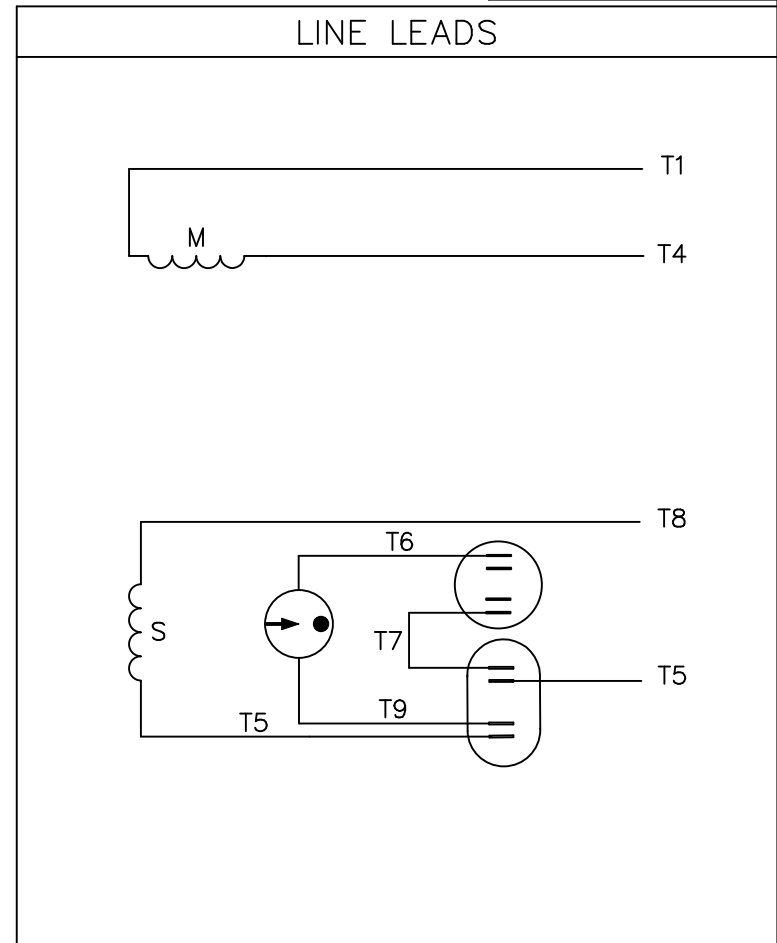
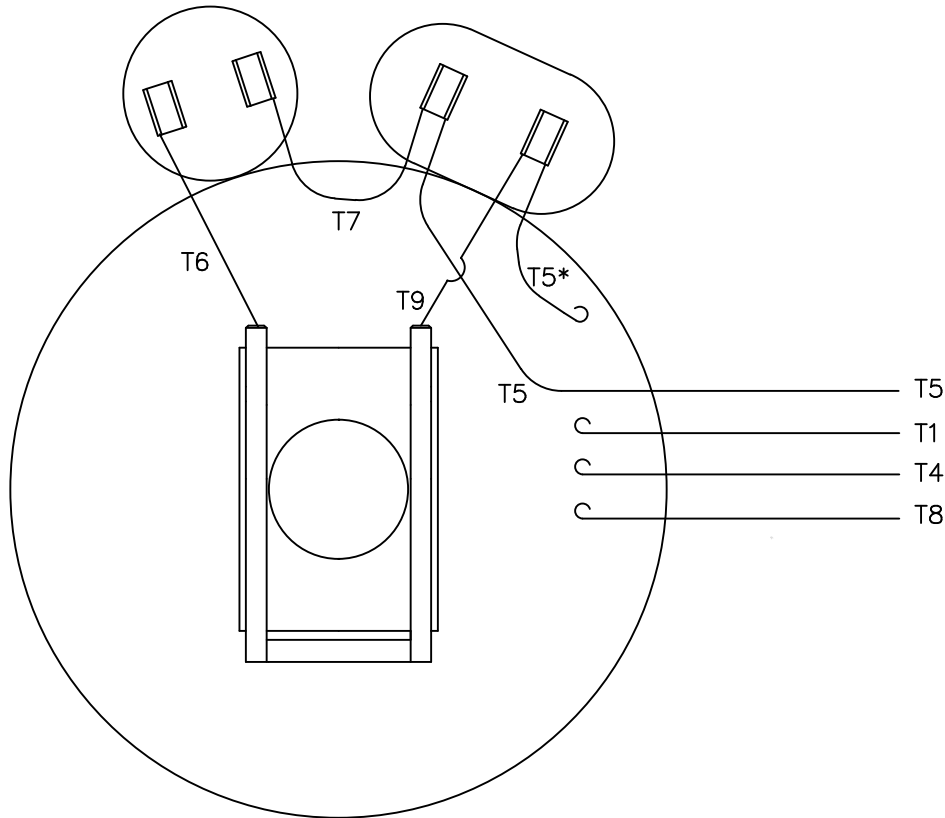


GASKETS THROUGHOUT  
 MAXIMUM FACE RUNOUT TO BE .004 T.I.R.  
 MAXIMUM PILOT ECCENTRICITY TO BE .004 T.I.R.  
 PERMISSIBLE SHAFT RUNOUT TO BE .002 T.I.R.

| DASH NO. | "C"   | "AD"  |
|----------|-------|-------|
| 850      | 12.70 | 7.88  |
| 900      | 13.20 | 8.38  |
| 950      | 13.70 | 8.88  |
| 1000     | 14.20 | 9.38  |
| 1050     | 14.70 | 9.88  |
| 1100     | 15.20 | 10.38 |
| 1150     | 15.70 | 10.88 |

|                                     |          |           |     | TOLERANCES UNLESS SPECIFIED |         | DRAWN PG 10/3/97 |              |
|-------------------------------------|----------|-----------|-----|-----------------------------|---------|------------------|--------------|
|                                     |          |           |     | DEC                         | INCHES  | CHK RSK 10/3/97  |              |
|                                     |          |           |     | x                           | ±.1     | APPR             |              |
|                                     |          |           |     | .xx                         | ±.03    | SCALE            | 1:2          |
|                                     |          |           |     | .xxx                        | ±.005   | REF              | 035059       |
| - UPDATED AND REDRAWN IN SOLIDWORKS |          |           |     | LST 12/21/2009              | XX .xxx | ±.005            | FMF STANDARD |
| NO                                  | REVISION | BY & DATE | CHK | ANG                         | ±1/2°   | FINISH           | PAGE OF      |
|                                     |          |           | RFP |                             |         | PREV             |              |
| THIRD ANGLE PROJECTION              |          |           |     |                             |         | SIZE             | DRAWING NO   |
|                                     |          |           |     |                             |         | B                | 035371       |
|                                     |          |           |     |                             |         | REV              | -            |

VIEW FROM OUTSIDE OF MOTOR AT SWITCH END.



|                          |       |       |
|--------------------------|-------|-------|
| ROTATION FACING LEAD END | L1    | L2    |
| C.C.W.                   | T1,T8 | T4,T5 |
| C.W.                     | T1,T5 | T4,T8 |

\* THIS LEAD MAY BE WHITE

| NO. | REVISION                          | BY & DATE    | CHK | TOLERANCES UNLESS SPECIFIED |        |
|-----|-----------------------------------|--------------|-----|-----------------------------|--------|
|     |                                   |              |     | DEC.                        | INCHES |
|     |                                   |              |     | .X                          | ±.1    |
| 20  | ALTERNATE T5 LEAD MARKING WAS RED | RLW 7/22/02  | KH  | .XX                         | ±.01   |
| 19  | ADDED ALTERNATE T5 LEAD MARKING   | RLW 5/31/02  | KH  | .XXX                        | ±.005  |
| 18  | REDRAWN ON CAD                    | DBT 06/24/97 |     | .XXXX                       | ±.0005 |
|     |                                   |              |     | ANG                         | ±1/2°  |



ELECTRIC MOTORS  
GEARMOTORS  
AND DRIVES

|       |              |
|-------|--------------|
| DRAWN | ADH 02/19/74 |
| CHK   | WRK 02/20/74 |
| APPD  | JCW 02/20/74 |
| SCALE | 1=1          |
| REF   |              |
| FMF   |              |
| PREV  |              |

|        |   |
|--------|---|
| TITLE  | EXTERNAL WIRING DIAGRAM<br>TYPE "K" W/O PROTECTOR |
| MAT'L. | DECAL - 004018                                    |
| FINISH |   |

|  |  |      |          |          |      |             |      |
|--|--|------|----------|----------|------|-------------|------|
| THIS DRAWING IN DESIGN AND DETAIL IS OUR PROPERTY AND MUST NOT BE USED EXCEPT IN CONNECTION WITH OUR WORK ALL RIGHTS OF DESIGN AND INVENTION ARE RESERVED THIS IS AN ELECTRONICALLY GENERATED DOCUMENT - DO NOT SCALE THIS PRINT |  | RFP  | CAD FILE | 00501801 | SIZE | DRAWING NO. | REV. |
|  |  | DIST | BRF-NLV  |          | A    | 005018-01   | 20   |

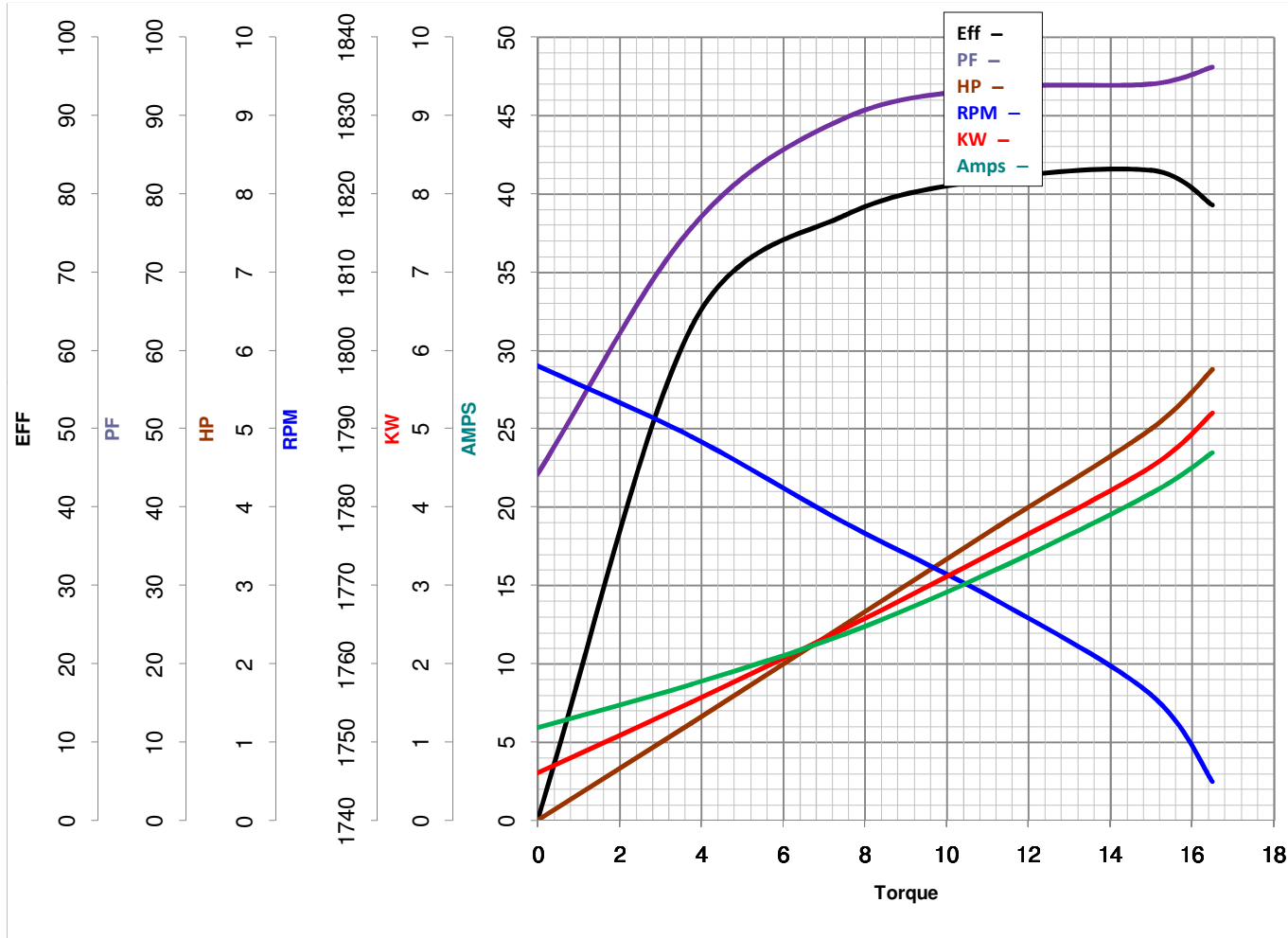


**LEESON ELECTRIC CORPORATION**  
 TYPICAL PERFORMANCE CURVE for AC MOTOR

Model No 131539.00

Catalog No 131539.00

Curve at 230 Volts      HP 5.00      PHASE 1  
60 HZ  
5 HP      VOLTS 208-230  
    HZ 60      RPM 1740



Torque in Lb.Ft

FL TORQUE 15 Lb.Ft  
 BD TORQUE 32.5 Lb.Ft  
 LR TORQUE 41.1 Lb.Ft

FL AMPS 23-21  
 PU TORQUE 28.9 Lb.Ft  
 LR AMPS 138

WINDING K8450-2

Date 4/9/2018