

PRODUCT INFORMATION PACKET



Model No: C184K14FB5C

Catalog No: 131578.00

..5HP..1440RPM.184T.IP54./220V.1PH.50HZ.CONT.40C.1.0SF.RIGID.N184K14FB5C.....50
HERTZ.NOT....3.7kW...

50 Hz



Regal and Leeson are trademarks of Regal Beloit Corporation or one of its affiliated companies.

©2018 Regal Beloit Corporation, All Rights Reserved. MC017097E





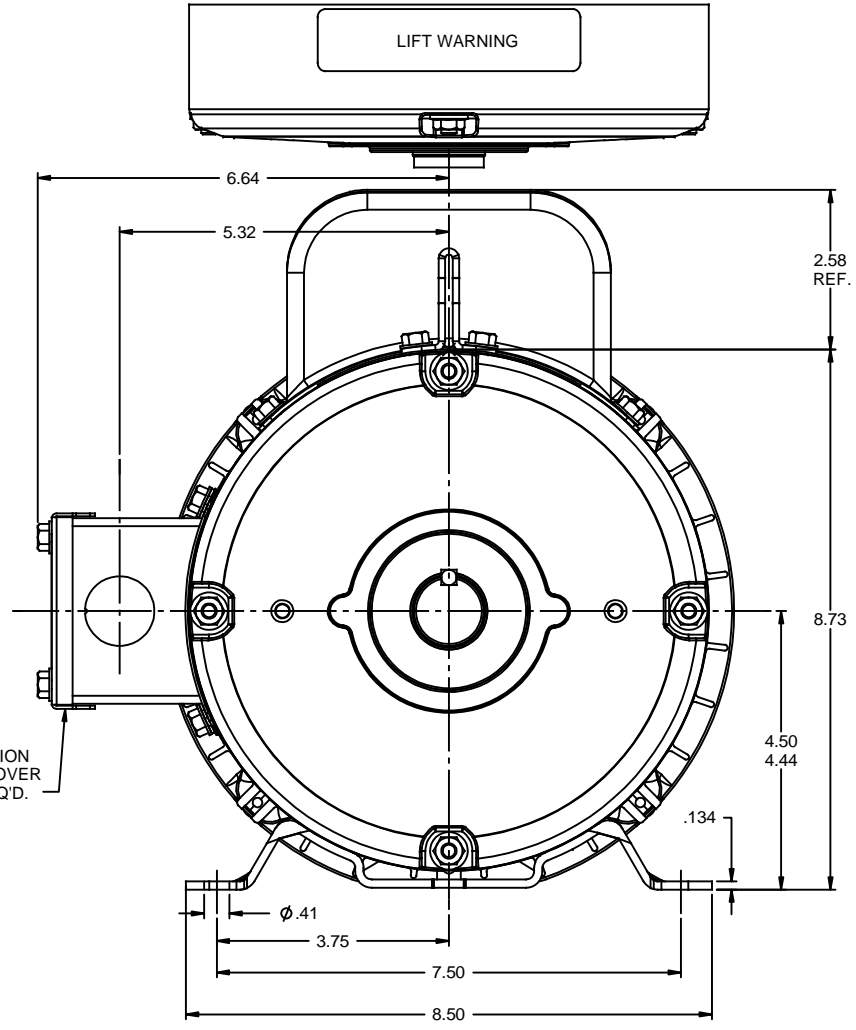
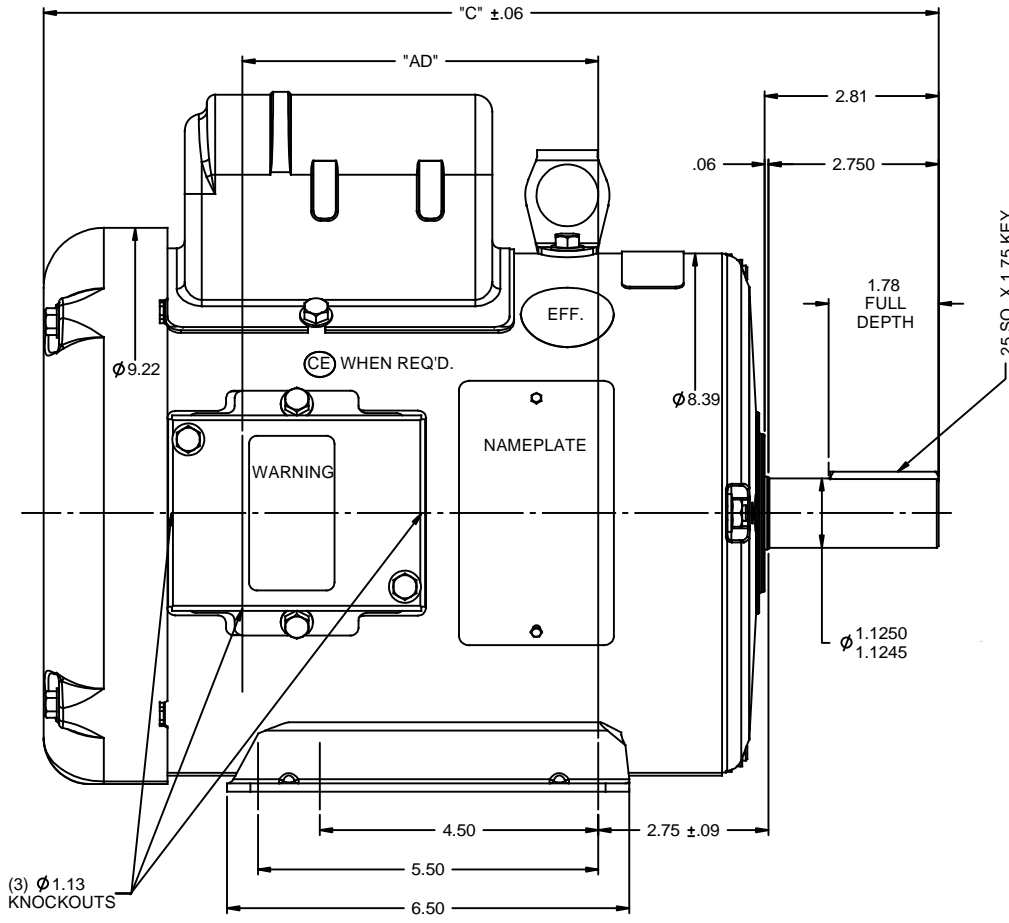
Nameplate Specifications

Output HP	5 Hp	Output KW	3.7 kW
Frequency	50 Hz	Voltage	220 V
Current	21.0 A	Speed	1440 rpm
Service Factor	1	Phase	1
Efficiency	82.5 %	Duty	Continuous
Insulation Class	F	Design Code	NO DESIGN CODE
KVA Code	G	Frame	184T
Enclosure	Totally Enclosed Fan Cooled	Overload Protector	No
Ambient Temperature	40 °C	Drive End Bearing Size	6206
Opp Drive End Bearing Size	6205	UL	Recognized
CSA	Y	CE	Y
IP Code	54		

Technical Specifications

Electrical Type	Capacitor Start Capacitor Run	Starting Method	Across The Line
Poles	4	Rotation	Selective Counterclockwise
Mounting	Rigid base	Motor Orientation	HORIZONTAL
Drive End Bearing	BALL	Opp Drive End Bearing	BALL
Frame Material	Rolled Steel	Shaft Type	T
Overall Length	17.46 in	Frame Length	12.00 in
Shaft Diameter	1.125 in	Shaft Extension	2.75 in
Assembly/Box Mounting	F1 ONLY		
Outline Drawing	035352-1200	Connection Diagram	005413.01

RBC PROPRIETARY AND CONFIDENTIAL INFORMATION
 This document is the property of REGAL BELOIT CORPORATION ("RBC") including its subsidiaries and divisions and contains proprietary information of RBC. This document is loaned on the express condition that neither it nor the information contained therein shall be disclosed to others without the express written consent of RBC, and that the information shall be used by the recipient only as approved expressly by RBC. This document shall be returned to RBC upon its request. This document may be subject to certain restrictions under U.S. export control laws and regulations.

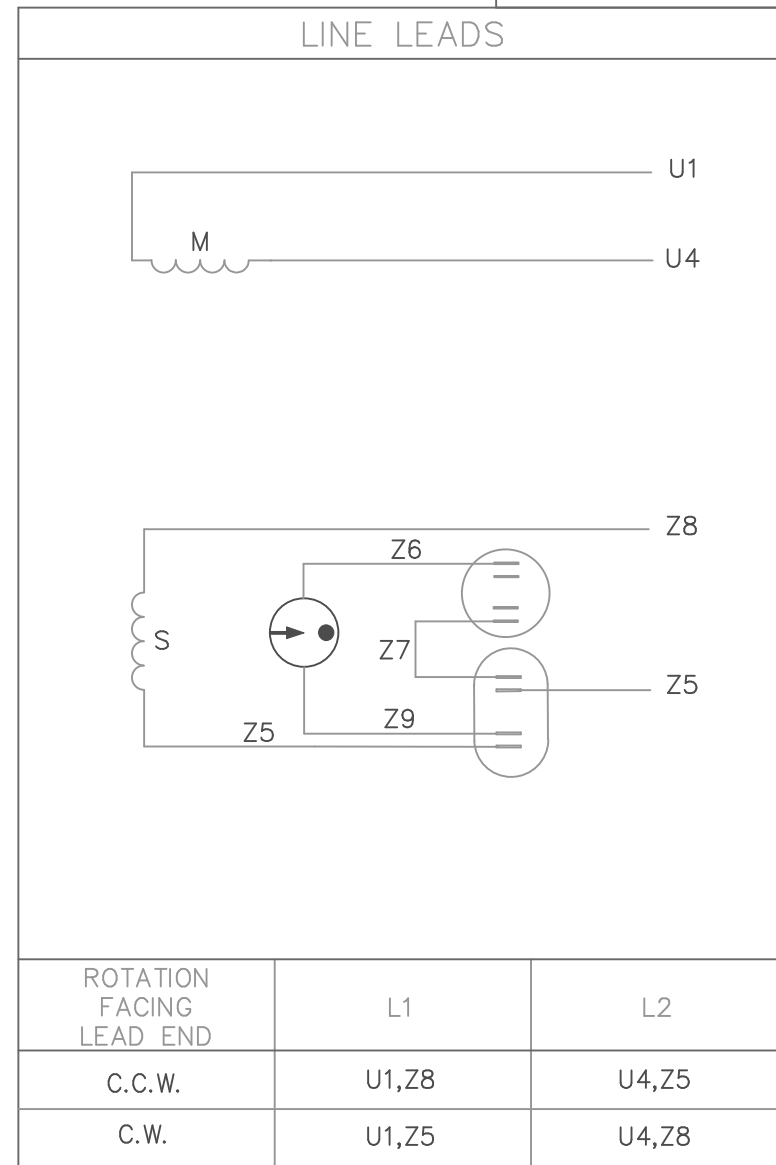
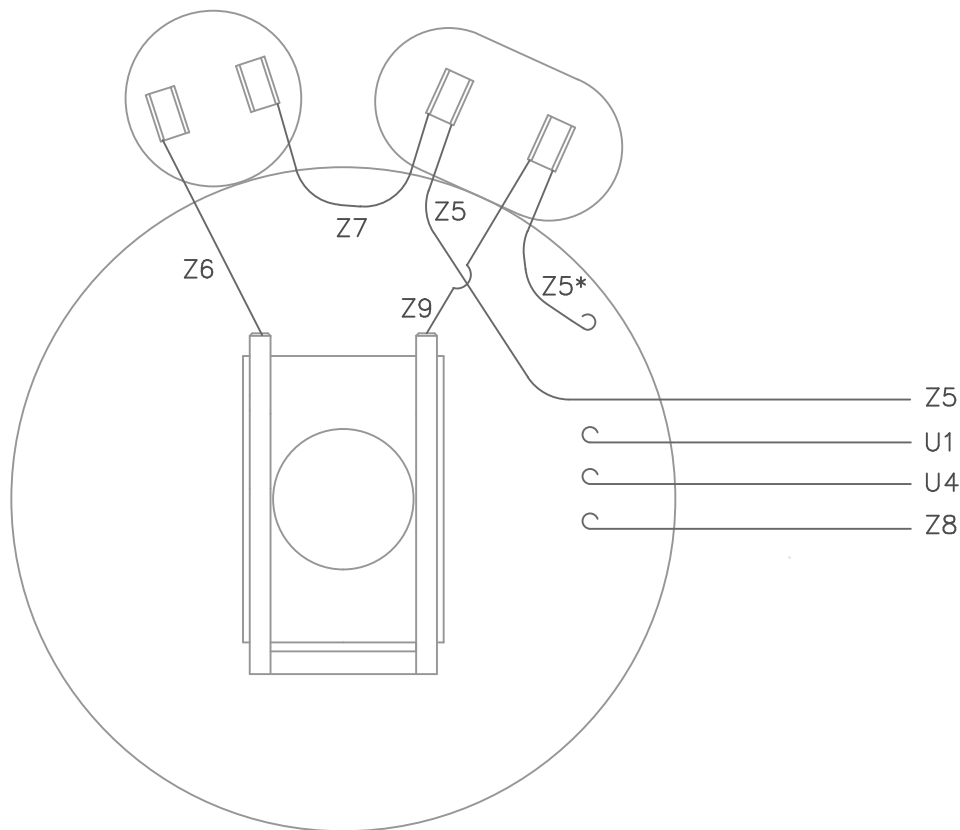


DASH NO.	"C"	"AD"
800	13.46	4.75
850	13.96	5.25
900	14.46	5.75
950	14.96	6.25
1000	15.46	6.75
1050	15.96	7.25
1100	16.46	7.75
1150	16.96	8.25
1200	17.46	8.75

GASKETS THROUGHOUT

		TOLERANCES UNLESS SPECIFIED:		REGAL-BELOIT CORPORATION	DRAWN PG 6/20/97
		DEC	INCHES		CHK RK 6/20/97
		x	±.1	APPR	
		.xx	±.03	TITLE	OUTLINE - 180T FRAME
		.xxx	±.005		TEFC - RIGID MOUNT
- UPDATED & REDRAWN TO SOLIDWORKS		LST 12/15/2009	XX .xxx± ±.0005	MATL	SCALE 1:2
NO	REVISION	BY & DATE	CHK ANG ±1/2°	FINISH	REF
			RFP	PREV	FMF
THIRD ANGLE PROJECTION			NETWORK FILE NAME	SIZE	PAGE OF
				B	DRAWING NO
					035352
					REV
					-

VIEW FROM OUTSIDE OF MOTOR AT SWITCH END.



* THIS LEAD MAY BE WHITE

				TOLERANCES UNLESS OTHERWISE SPECIFIED		LEESON ELECTRIC CORPORATION	
				DECIMALS			
				.00	± .01	DRAWN DBT 07/21/97	TITLE
				.000	± .005	CH'K'D.	EXTERNAL WIRING DIAGRAM
01	ADDED NOTE *	KA	03/24/2008	.0000	± .0005	APPR.	TYPE "K" W/O PROTECTOR
NO.	REVISION	BY	DATE	FRACTIONS	± 1/64	SCALE 1=1	MAT'L. DECAL - 80670
THIS DRAWING IN DESIGN AND DETAIL IS OUR PROPERTY AND MUST NOT BE USED EXCEPT IN CONNECTION WITH OUR WORK ALL RIGHTS OF DESIGN AND INVENTION ARE RESERVED				ANGLES	± 1/2"	REF. 005018-01	FINISH I.E.C.
				INCH/MM		FMF	MARKINGS

