

# PRODUCT INFORMATION PACKET



Model No: C215K34DB2A

Catalog No: 140640.00

..10-

15HP..3455RPM.215.DP.230V.1PH.60HZ.CONT.40C.1.0SF.RIGID.C215K34DB2A.....AGRICULTURAL.NOT.

.....

Crop Dryer



Regal and Leeson are trademarks of Regal Beloit Corporation or one of its affiliated companies.

©2018 Regal Beloit Corporation, All Rights Reserved. MC017097E





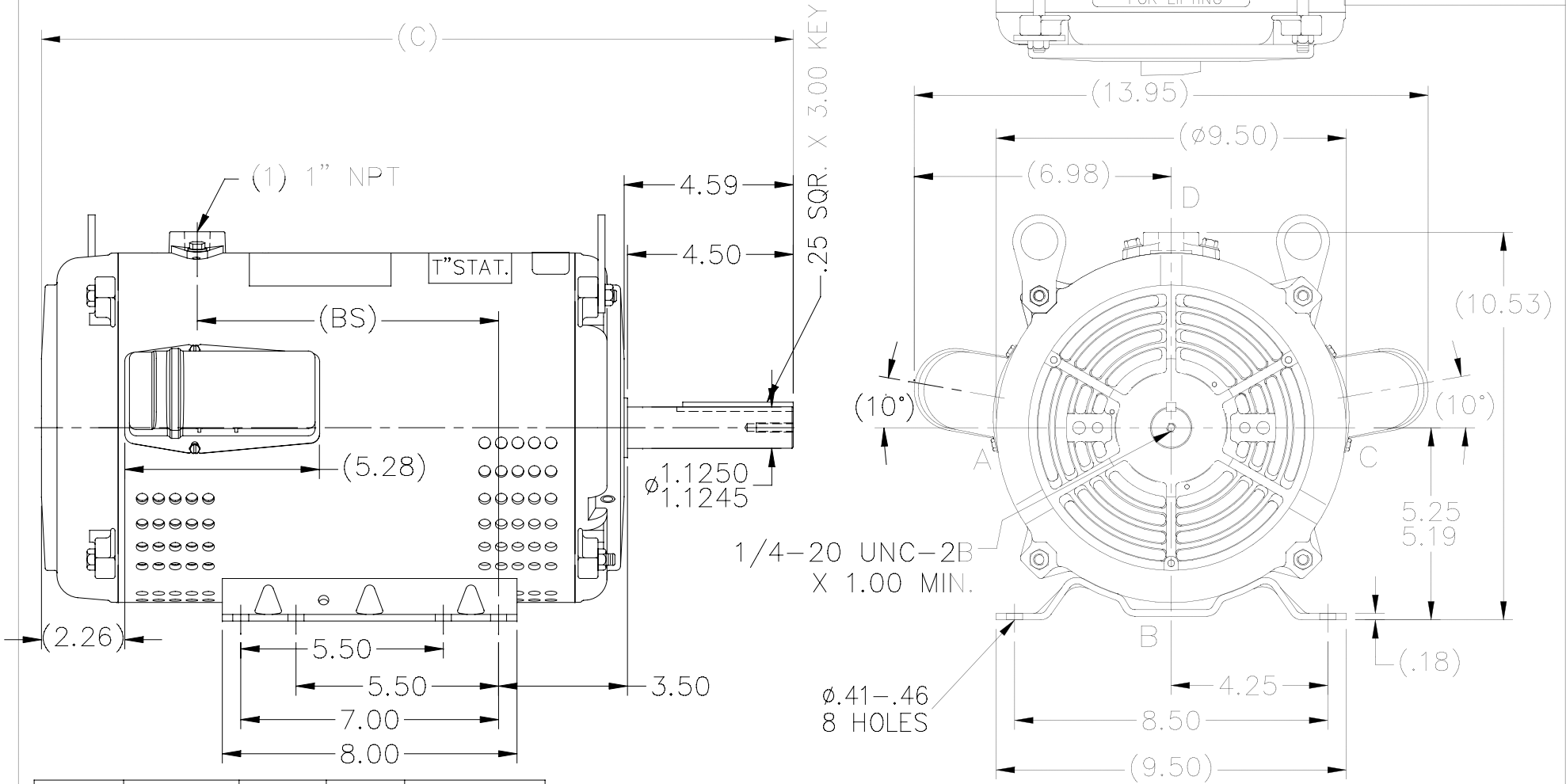
### Nameplate Specifications

Output HP	<b>10 Hp</b>	Output KW	<b>7.5 kW</b>
Frequency	<b>60 Hz</b>	Voltage	<b>230 V</b>
Current	<b>39.5 A</b>	Speed	<b>3520 rpm</b>
Service Factor	<b>1</b>	Phase	<b>1</b>
Efficiency	<b>85.5 %</b>	Duty	<b>Continuous</b>
Insulation Class	<b>F</b>	Design Code	<b>L</b>
KVA Code	<b>E</b>	Frame	<b>215TZ</b>
Enclosure	<b>Drip Proof</b>	Overload Protector	<b>No</b>
Ambient Temperature	<b>40 °C</b>	Drive End Bearing Size	<b>307</b>
Opp Drive End Bearing Size	<b>206</b>	UL	<b>Recognized</b>
CSA	<b>Y</b>	CE	<b>N</b>
IP Code	<b>22</b>		

### Technical Specifications

Electrical Type	<b>Capacitor Start Capacitor Run</b>	Starting Method	<b>Across The Line</b>
Poles	<b>2</b>	Rotation	<b>Selective Counterclockwise</b>
Mounting	<b>Rigid base</b>	Motor Orientation	<b>HORIZONTAL</b>
Drive End Bearing	<b>BALL</b>	Opp Drive End Bearing	<b>BALL</b>
Frame Material	<b>Rolled Steel</b>	Shaft Type	<b>Single Special Extension</b>
Overall Length	<b>20.42 in</b>	Frame Length	<b>12.40 in</b>
Shaft Diameter	<b>1.125 in</b>	Shaft Extension	<b>4.5 in</b>
Assembly/Box Mounting	<b>F3</b>		
Outline Drawing	<b>037961-1240</b>	Connection Diagram	<b>A-EE9048PH-LE</b>

037961



DASH	FR.	C	BS	MOUNTING
1240	213/15T	20.42	8.18	

- NOTES:  
 1. NAMEPLATE TO BE READ FROM 'A' SIDE OF MOTOR.  
 2. SEE MODEL FOR LEAD LENGTH.

ORACLE	REV	02

TOLERANCES  
UNLESS SPECIFIED  
DEC. INCHES



ELECTRIC MOTORS  
GEARMOTORS  
AND DRIVES

DRAWN LST 9/15/14

NO.	REVISION	BY & DATE	CHK	ANG	±	FINISH
C	ADD LIFTING LUGS ECO-0087439	LST 10/20/15	.XX	±.03		TITLE OUTLINE
B	1" NPT WAS 3/4" NPT ECO 0076543	GWS 4/24/15	.XXX	±.005		210T FR. -BB-SS-DR.PR.-SINGLE PHASE
A	RELEASED PER ECO-0053334	LST 9/15/14	.XXXX	±.0005		MAT'L.

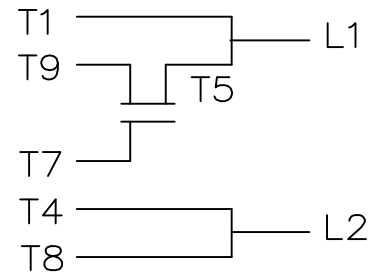
THIS DRAWING IN DESIGN AND DETAIL IS OUR PROPERTY AND MUST NOT BE USED EXCEPT IN CONNECTION WITH OUR WORK ALL RIGHTS OF DESIGN AND INVENTION ARE RESERVED THIS IS AN ELECTRONICALLY GENERATED DOCUMENT - DO NOT SCALE THIS PRINT

RFP  
DIST LE

CAD FILE 037699

SIZE	DRAWING NO.	PAGE	OF	REV.
A	037961			C

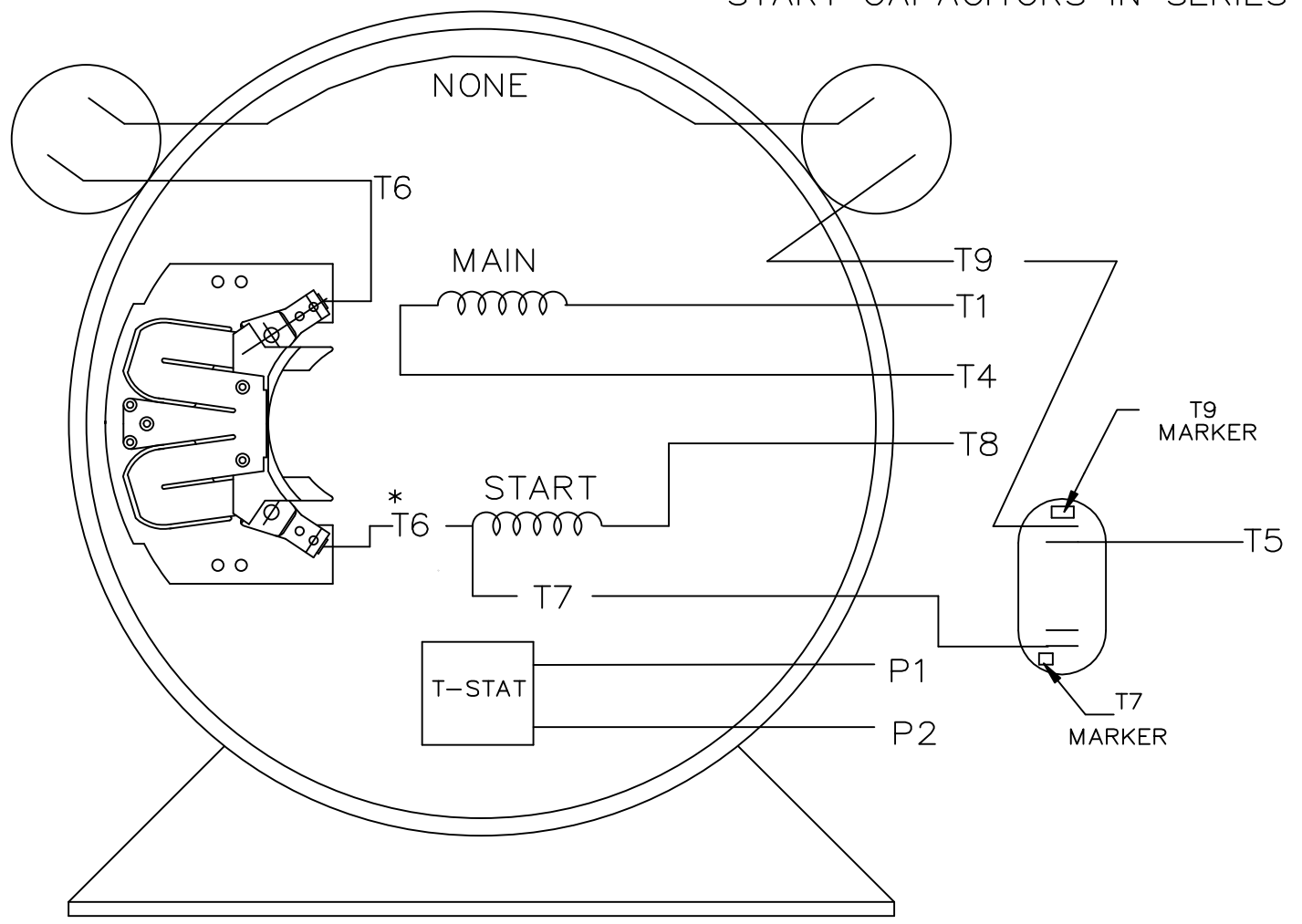
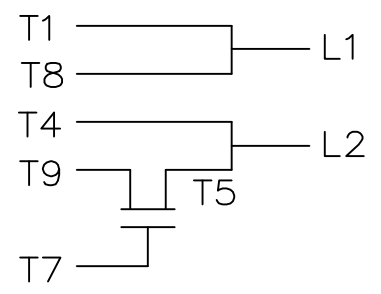
C.W. ROTATION



\* THIS LEAD MAY BE WHITE

CONNECT:  
START CAPACITORS IN SERIES


C.C.W. ROTATION



SINGLE VOLTAGE  
CAPACITOR START  
CAPACITOR RUN  
REVERSIBLE

VIEW OF TERMINAL END

180 - 210 SWITCH

		TOLERANCES UNLESS SPECIFIED		 ELECTRIC MOTORS GEARMOTORS AND DRIVES	DRAWN HLB 09-22-2004	
		DEC.	INCHES		CHK ML 09-23-2004	
		.X	± -		APPD JET 09-27-2004	
		.XX	± -	TITLE	SCALE	
02	ADDED " * " NOTE, ISAAC 10-2838	KA	07/23/10	.XXX ± -	REF	
01	"T-STAT" WAS "PROT" ,ISAAC 09-5096	KA	12/02/09	.XXXX ± -	FMF	
NO.	REVISION	BY & DATE	CHK	ANG ± -	FINISH	
THIS DRAWING IN DESIGN AND DETAIL IS OUR PROPERTY AND MUST NOT BE USED EXCEPT IN CONNECTION WITH OUR WORK ALL RIGHTS OF DESIGN AND INVENTION ARE RESERVED THIS IS AN ELECTRONICALLY GENERATED DOCUMENT - DO NOT SCALE THIS PRINT		RFP 09-27-2004	CAD FILE ee9048ph_le	SIZE A	DRAWING NO. EE9048PH-LE	PAGE OF 02
		DIST LB-LE				REV. 02