

# PRODUCT INFORMATION PACKET



Model No: C326T17FB8D

Catalog No: 170121.60

50HP..1780RPM.326T.TEFC.575V.3PH.60HZ.CONT.TSTAT.40C.1.15SF.RIGID.575 VOLT.C326T17FB8D  
575 Volts



Regal and Leeson are trademarks of Regal Beloit Corporation or one of its affiliated companies.

©2018 Regal Beloit Corporation, All Rights Reserved. MC017097E





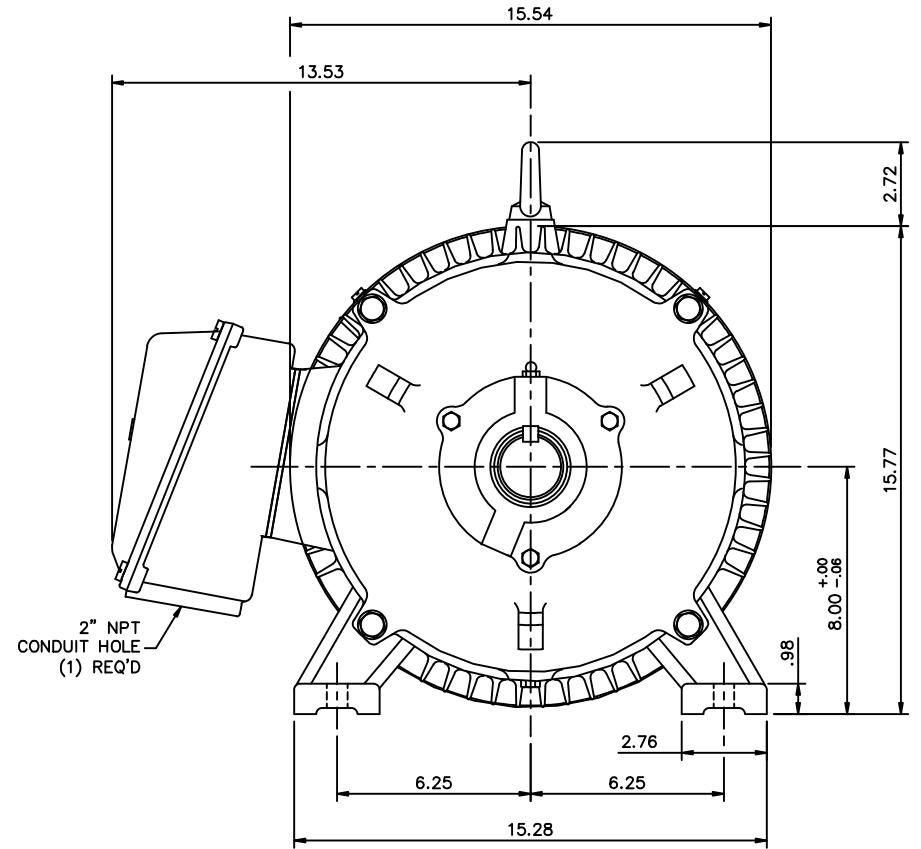
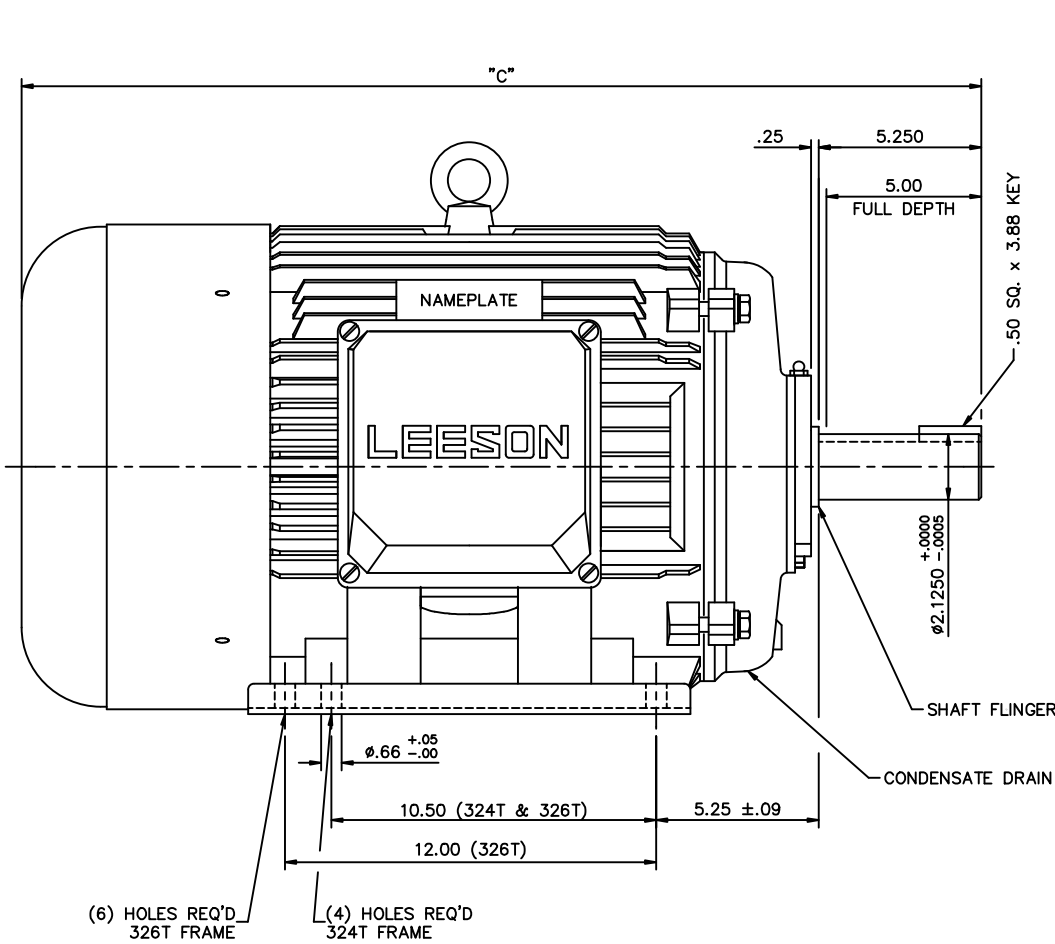
### Nameplate Specifications

Output HP	<b>50 Hp</b>	Output KW	<b>37.0 kW</b>
Frequency	<b>60 Hz</b>	Voltage	<b>575 V</b>
Current	<b>46.0 A</b>	Speed	<b>1780 rpm</b>
Service Factor	<b>1.15</b>	Phase	<b>3</b>
Efficiency	<b>94.1 %</b>	Duty	<b>Continuous</b>
Insulation Class	<b>F</b>	Design Code	<b>B</b>
KVA Code	<b>G</b>	Frame	<b>326T</b>
Enclosure	<b>Totally Enclosed Fan Cooled</b>	Overload Protector	<b>No</b>
Ambient Temperature	<b>40 °C</b>	Drive End Bearing Size	<b>6312</b>
Opp Drive End Bearing Size	<b>6312</b>	UL	<b>Recognized</b>
CSA	<b>Y</b>	CE	<b>N</b>
IP Code	<b>43</b>		

### Technical Specifications

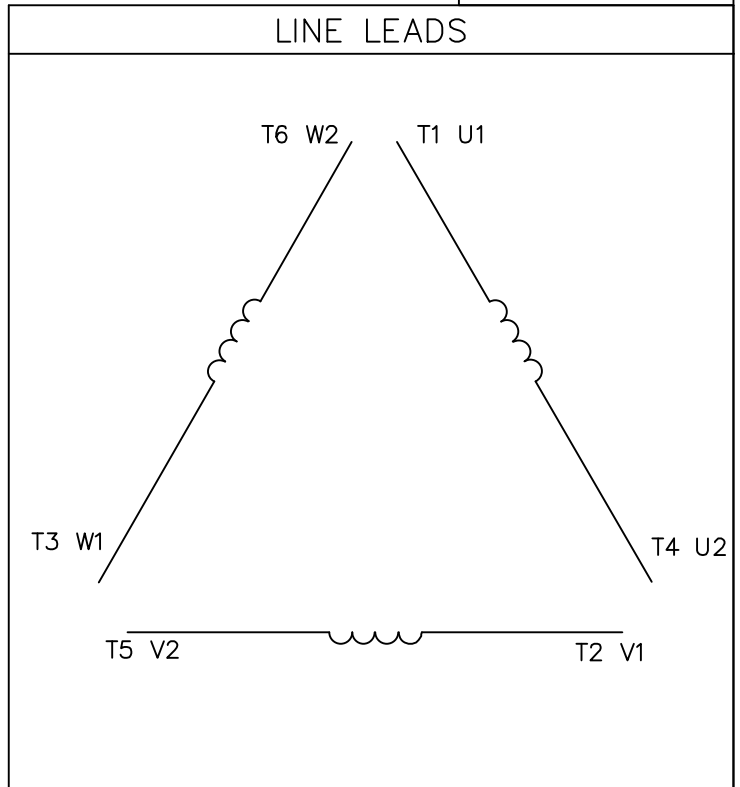
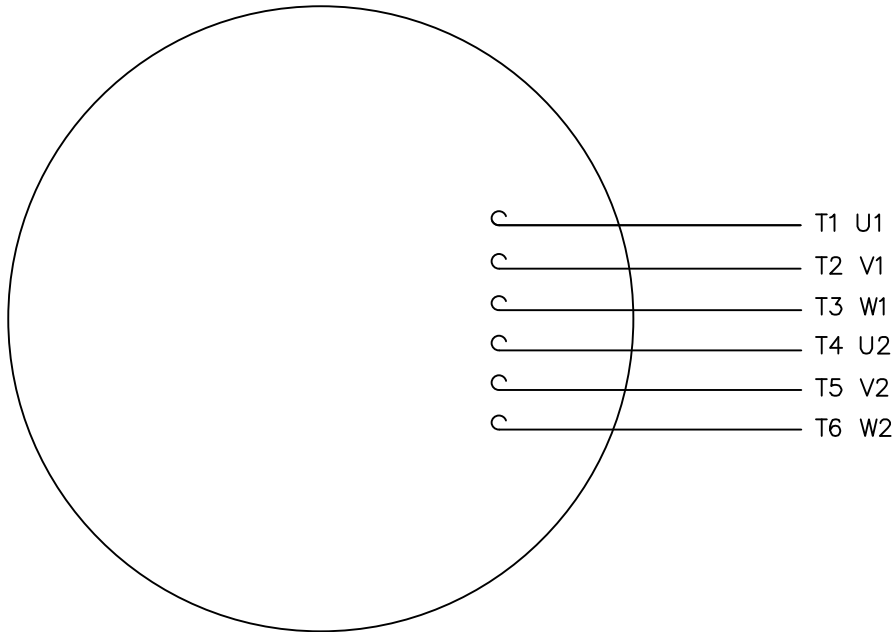
Electrical Type	<b>Squirrel Cage Inverter Rated</b>	Starting Method	<b>Wye Start Delta Run Or Inverter</b>
Poles	<b>4</b>	Rotation	<b>Reversible</b>
Mounting	<b>Rigid base</b>	Motor Orientation	<b>HORIZONTAL</b>
Drive End Bearing	<b>BALL</b>	Opp Drive End Bearing	<b>BALL</b>
Frame Material	<b>Cast Iron</b>	Shaft Type	<b>T</b>
Overall Length	<b>31.02 in</b>	Shaft Diameter	<b>2.125 in</b>
Shaft Extension	<b>5.25 in</b>	Assembly/Box Mounting	<b>F1 ONLY</b>
Outline Drawing	<b>16954160</b>	Connection Diagram	<b>005190.01</b>

This is an uncontrolled document once printed or downloaded and is subject to change without notice. Date Created: 10/15/2018



FRAME DESIGN	"C"
324T	29.53
326T	31.02

				TOLERANCES UNLESS OTHERWISE SPECIFIED		<b>LEESON</b> ELECTRIC CORPORATION				
				DECIMALS						
				.00	± .06	DRAWN	JJK 03/29/99	TITLE	OUTLINE - 320T FRAME	
				.000	± .005	CH'K'D.		TEFC - RIGID		
01	ADDED HOLES FOR 326T BASE	JJK	07/13/99	.0000	± .0005	APPR.	PG 03/31/99	MAT'L	CAST IRON	
NO.	REVISION	BY	DATE	FRACTIONS ± 1/64		SCALE	1=4			
THIS DRAWING IN DESIGN AND DETAIL IS OUR PROPERTY AND MUST NOT BE USED EXCEPT IN CONNECTION WITH OUR WORK ALL RIGHTS OF DESIGN AND INVENTION ARE RESERVED				ANGLES ± 1/2°		REF.	169504	FINISH	SIZE	DRAWING NO.
				INCH/MM		FMF		B	169541-60	



	L1	L2	L3	JOIN
START (WYE)	T1 U1	T2 V1	T3 U2	(T4,T5,T6) (U2,V2,W2)
RUN (DELTA)	(T1,T6) (U1,W2)	(T2,T4) (V1,U2)	(T3,T5) (W1,V2)	

TOLERANCES UNLESS OTHERWISE SPECIFIED

DECIMALS

**LEESON** ELECTRIC CORPORATION

NO.	REVISION	BY	DATE	FRACTIONS	±	SCALE
03	ADDED IEC DESIGNATIONS	MOL	4/27/2012	.00	± .01	DRAWN PG 05/07/82
02	REMOVED OBSOLETE STATUS	KJH	6/28/99	.000	± .005	CH'K'D. TEM
01	REDRAWN ON CAD	DBT	05/30/97	.0000	± .0005	APPR. 05/07/82

TITLE	MAT'L.
EXT. WIRING DIAGRAM STAR START - DELTA RUN	Y-CONNECTED START DELTA CONNECTED RUN - SINGLE VOLTAGE

THIS DRAWING IN DESIGN AND DETAIL IS OUR PROPERTY AND MUST NOT BE USED EXCEPT IN CONNECTION WITH OUR WORK ALL RIGHTS OF DESIGN AND INVENTION ARE RESERVED

ANGLES ± 1/2°  
INCH/MM

REF. T2E  
FMF ELECTRO POWER

FINISH

SIZE A

DRAWING NO.  
005190-01



CERTIFICATION DATA SHEET

1051 CHEYENNE AVE.  
 GRAFTON, WI 53024  
 PH. 262-377-8810

CATALOG #: 170121.60

CONN. DIAGRAM: 005190.01

OUTLINE: 16954160

MOUNTING: F1 ONLY

WINDING #: T16104006 FR 4 A

TYPICAL MOTOR PERFORMANCE DATA

HP	KW	SYNC. RPM	F.L. RPM	FRAME	ENCLOSURE	KVA CODE	DESIGN
50	37.0	1800	1780	326T	TEFC	G	B

PH	HZ	VOLTS	AMPS	START TYPE	DUTY	INSL	S.F.	AMB°C
3	60	575	46	Y START D RUN OR INV	CONTINUOUS	F5	1.15	40

FULL LOAD EFF:	94.1	3/4 LOAD EFF:	94.5	1/2 LOAD EFF:	94.6	GTD. EFF	ELEC. TYPE
FULL LOAD PF:	86.5	3/4 LOAD PF:	84.5	1/2 LOAD PF:	76.6	-	SQ CAGE INV RATED

F.L. TORQUE	LOCKED ROTOR AMPS	L.R. TORQUE	B.D. TORQUE	F.L. RISE°C
0 LB-FT	296	303.4 LB-FT 205 %	444 LB-FT 300 %	-

SOUND PRESSURE @ 3 FT.	SOUND POWER	ROTOR WK^2	MAX. WK^2	SAFE STALL TIME	STARTS / HOUR	APPROX. MOTOR WGT
- DBA	- DBA	7.39 LB-FT^2	- LB-FT^2	15 SEC.	2	580 LBS.

\*\*\* SUPPLEMENTAL INFORMATION \*\*\*

DE BRACKET TYPE	ODE BRACKET TYPE	MOUNT TYPE	ORIENTATION	SEVERE DUTY	HAZARDOUS LOCATION	DRIP COVER	SCREENS	PAINT
STANDARD	STANDARD	RIGID	HORIZONTAL	FALSE	NONE	FALSE	NONE	BLUE (ENAMEL)

BEARINGS	GREASE	SHAFT TYPE	SPECIAL DE	SPECIAL ODE	SHAFT MATERIAL	FRAME MATERIAL
DE ODE BALL BALL	POLYREX EM	T	NONE	NONE	AISI 1045 (C-240)	CAST IRON

THERMO-PROTECTORS							
THERMOSTATS	PROTECTORS	WDG RTDS	BRG RTDS	THERMISTORS	CONTROL	SPACE HEATERS	VOLTS
TSTATS (N/C)	NOT	NONE	NONE	NONE	FALSE	NONE	NONE

INVERTER TORQUE: CONSTANT 10:1  
 INV. HP SPEED RANGE: NONE

ENCODER:	NONE
NONE	NONE
NONE	PPR

BRAKE:	NONE	NONE
NONE	P/N NONE	NONE
NONE	NONE	NONE
NONE	FT-LB	NONE V NONE HZ

\*  
 N  
 O  
 T  
 E  
 S