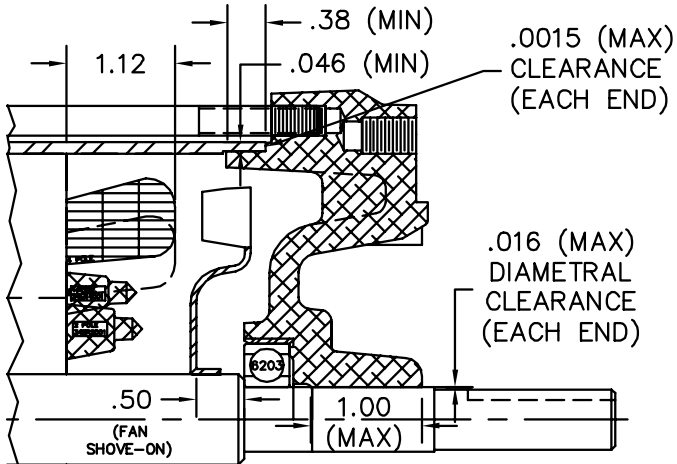


4 HOLES
.38-16 TAP ON
5.88 DIA. B.C.



CUSTOMER IS RESPONSIBLE FOR DETERMINING THAT BALDOR'S PRODUCT WILL PERFORM SUITABLY IN THE INTENDED APPLICATION.

| | | |
|--|------------------------------|------------------|
| REV. DESC: ADD NOTE FOR KEY & KEY LENGTH | | |
| REV. LTR: K | VERSION: 07 | TDR: 00000998375 |
| FILE: \AAA\00026\670 | REVISED: 03:22:06 09/26/2016 | BY: ENMAIYO |
| MTL: - | | |

BALDOR

VERT X34M 56C XPFC CL-I GP-D, CL-II GP-F&G, .50 NPT LEAD
 SH 1 of 1