

PRODUCT INFORMATION PACKET



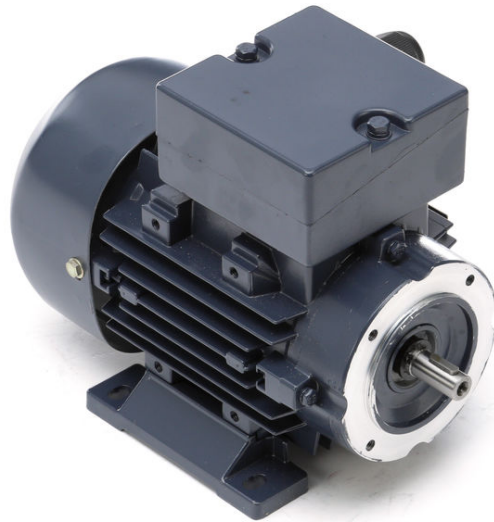
Model No: C63T34FZ4C

Catalog No: 192027.00

1/3HP-

.25KW..3430/2760RPM.63.IP55.230/460V.3PH.60/50HZ.CONT.40C.1.15/1.15SF.B3/B14.C63T34FZ4C.....IE
C METRIC.NOT.....

TEFC



Regal and Leeson are trademarks of Regal Beloit Corporation or one of its affiliated companies.

©2018 Regal Beloit Corporation, All Rights Reserved. MC017097E



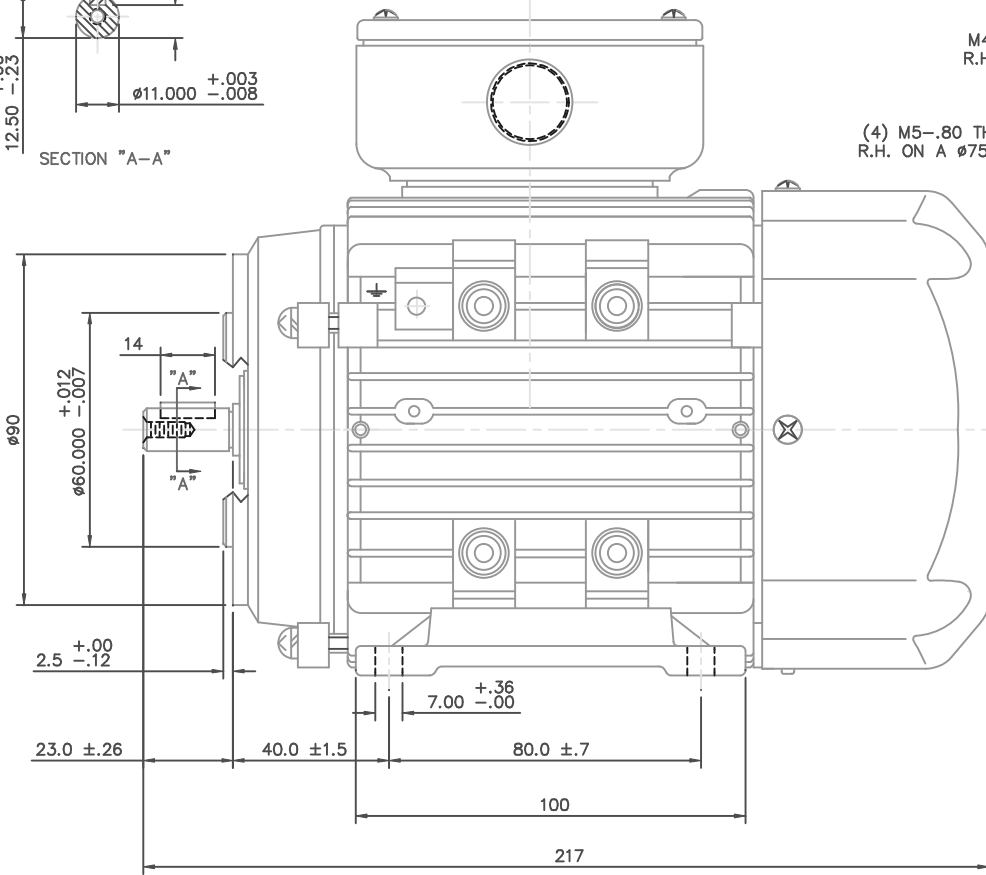
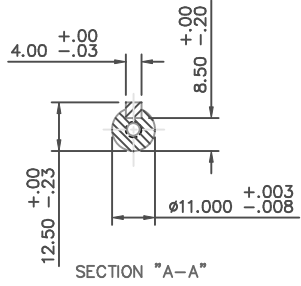


Nameplate Specifications

Output HP	0.33 Hp	Output KW	0.25 kW
Frequency	60 Hz	Voltage	230/460 V
Current	1.1/0.55 A	Speed	3430 rpm
Service Factor	1.15	Phase	3
Efficiency	72 %	Duty	Continuous
Insulation Class	F	Design Code	B
KVA Code	J	Frame	D63C
Enclosure	Totally Enclosed Fan Cooled	Overload Protector	No
Ambient Temperature	40 °C	Drive End Bearing Size	6202
Opp Drive End Bearing Size	6202	UL	Recognized
CSA	Y	CE	Y
IP Code	55		

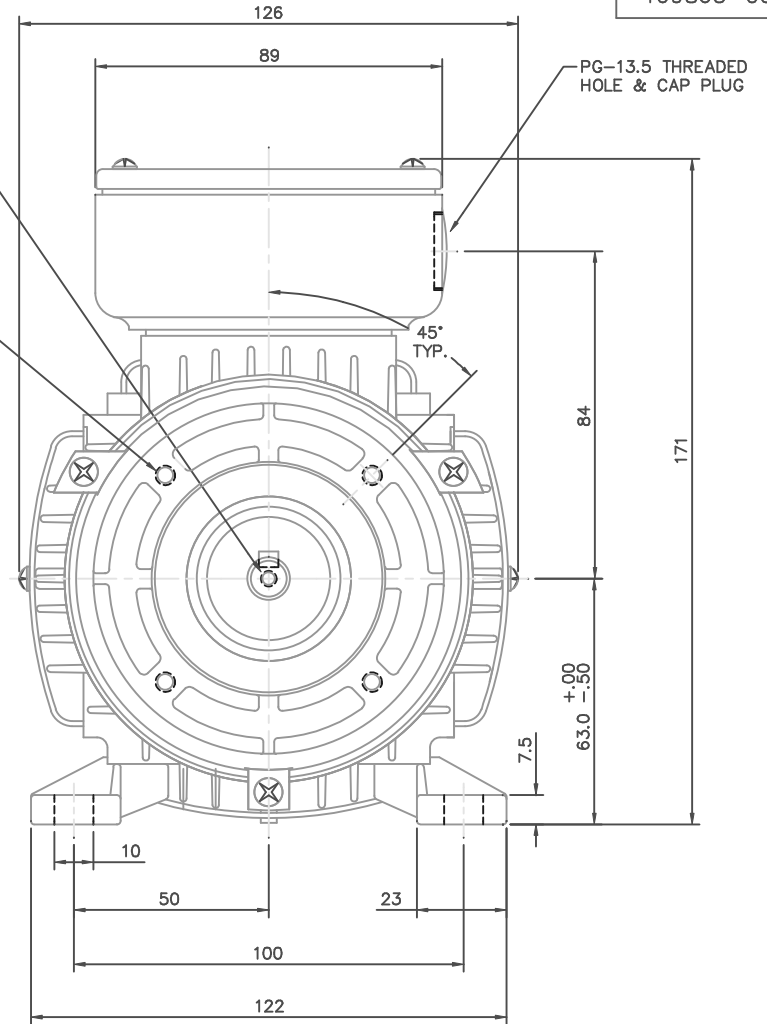
Technical Specifications

Electrical Type	Squirrel Cage Inverter Rated	Starting Method	Line Or Inverter
Poles	2	Rotation	Reversible
Mounting	B3	Motor Orientation	HORIZONTAL
Drive End Bearing	BALL	Opp Drive End Bearing	BALL
Frame Material	Aluminum	Shaft Type	IEC
Overall Length	8.54 in	Frame Length	4.44 in
Shaft Diameter	0.437 in	Shaft Extension	0.9 in
Assembly/Box Mounting	F3		
Outline Drawing	16986300	Connection Diagram	005465.01

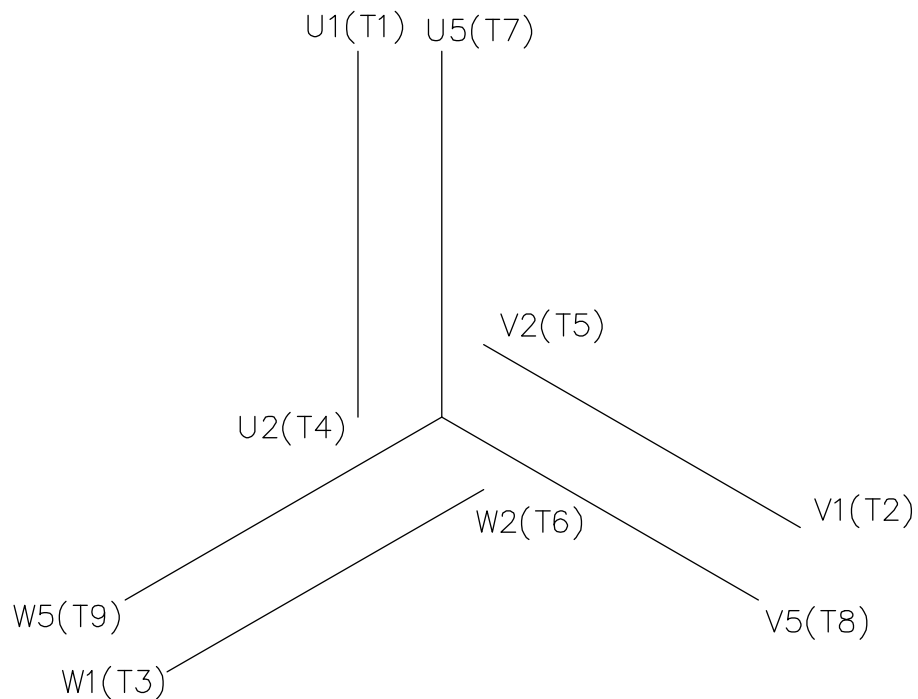


(4) M5-.80 THRU-THREAD R.H. ON A Ø75.00±.15 B.C.

M4-.70 x 10MM DEEP R.H. THREADED SHAFT

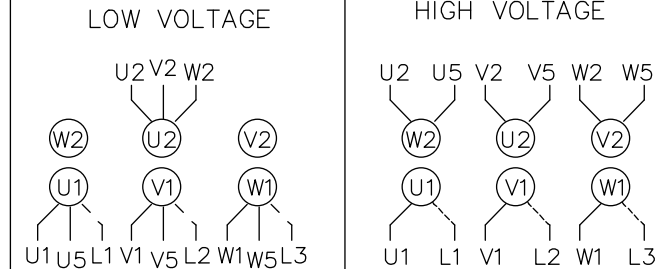


		TOLERANCES UNLESS SPECIFIED		LEESON		ELECTRIC MOTORS GEARMOTORS AND DRIVES		DRAWN
		DEC.	METRIC					ADS 01/30/02
		.X	±2.5					CHK
		.XX	±.76					APPD
		.XXX	±.127					SCALE 1=1.25
01	CHANGED PART NUMBER IN TITLE BLOCK	RDW 8/17/05	KJH .XXXX ±.0127	TITLE METRIC MOTOR OUTLINE, IMB34 IEC-63 FRAME RIGID MOUNT W/B14 FLANGE		ALUMINUM		REF OSVC-300-562
NO.	REVISION	BY & DATE	CHK ANG ±1/2"	FINISH				FMF LEESON STOCK
THIS DRAWING IN DESIGN AND DETAIL IS OUR PROPERTY AND MUST NOT BE USED EXCEPT IN CONNECTION WITH OUR WORK ALL RIGHTS OF DESIGN AND INVENTION ARE RESERVED THIS IS AN ELECTRONICALLY GENERATED DOCUMENT - DO NOT SCALE THIS PRINT				RFP	CAD FILE	16986300	SIZE	DRAWING NO.
				DIST			B	169863-00
								REV.
								01



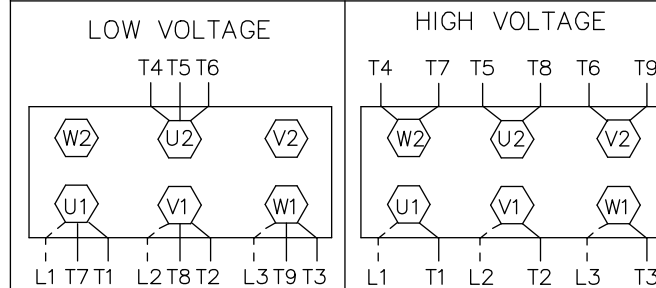
REF. DECAL (IEC) 080644
REF. DECAL (NEMA) 080446

IEC MARKINGS



LINE VOLTAGE	L1	L2	L3	JOIN		
TERMINAL	U1	V1	W1	W2	U2	V2
LOW	U1,U5	V1,V5	W1,W5	---	U2,V2,W2	---
HIGH	U1	V1	W1	U2,U5	V2,V5	W2,W5

NEMA MARKINGS



LINE VOLTAGE	L1	L2	L3	JOIN		
TERMINAL	U1	V1	W1	W2	U2	V2
LOW	T1, T7	T2, T8	T3, T9	---	T4,T5,T6	---
HIGH	T1	T2	T3	T4, T7	T5, T8	T6, T9

TOLERANCES UNLESS SPECIFIED

DEC.	INCHES
.X	±.1
.XX	±.01
.XXX	±.005
.XXXX	±.0005
ANG	±1/2'



ELECTRIC MOTORS
GEARMOTORS
AND DRIVES

DRAWN MGM 12/3/02

CHK

APPD

SCALE 1=1

REF 00537703

FMF

PREV

TITLE EXTERNAL WIRING DIAGRAM
3 PHASE - DUAL VOLTAGE - W/TERM BLOCK

MAT'L. IEC/NEMA MARKINGS

FINISH THERMAL TRANSFER

NO.	REVISION	BY & DATE	CHK	ANG
01	NEMA LV CONNECTION WAS INCORRECT	RLW 8/4/03		

THIS DRAWING IN DESIGN AND DETAIL IS OUR PROPERTY AND MUST NOT BE USED EXCEPT IN CONNECTION WITH OUR WORK ALL RIGHTS OF DESIGN AND INVENTION ARE RESERVED THIS IS AN ELECTRONICALLY GENERATED DOCUMENT - DO NOT SCALE THIS PRINT

RFP
DIST

CAD FILE 00546501

SIZE A
DRAWING NO. 005465-01
REV. 01



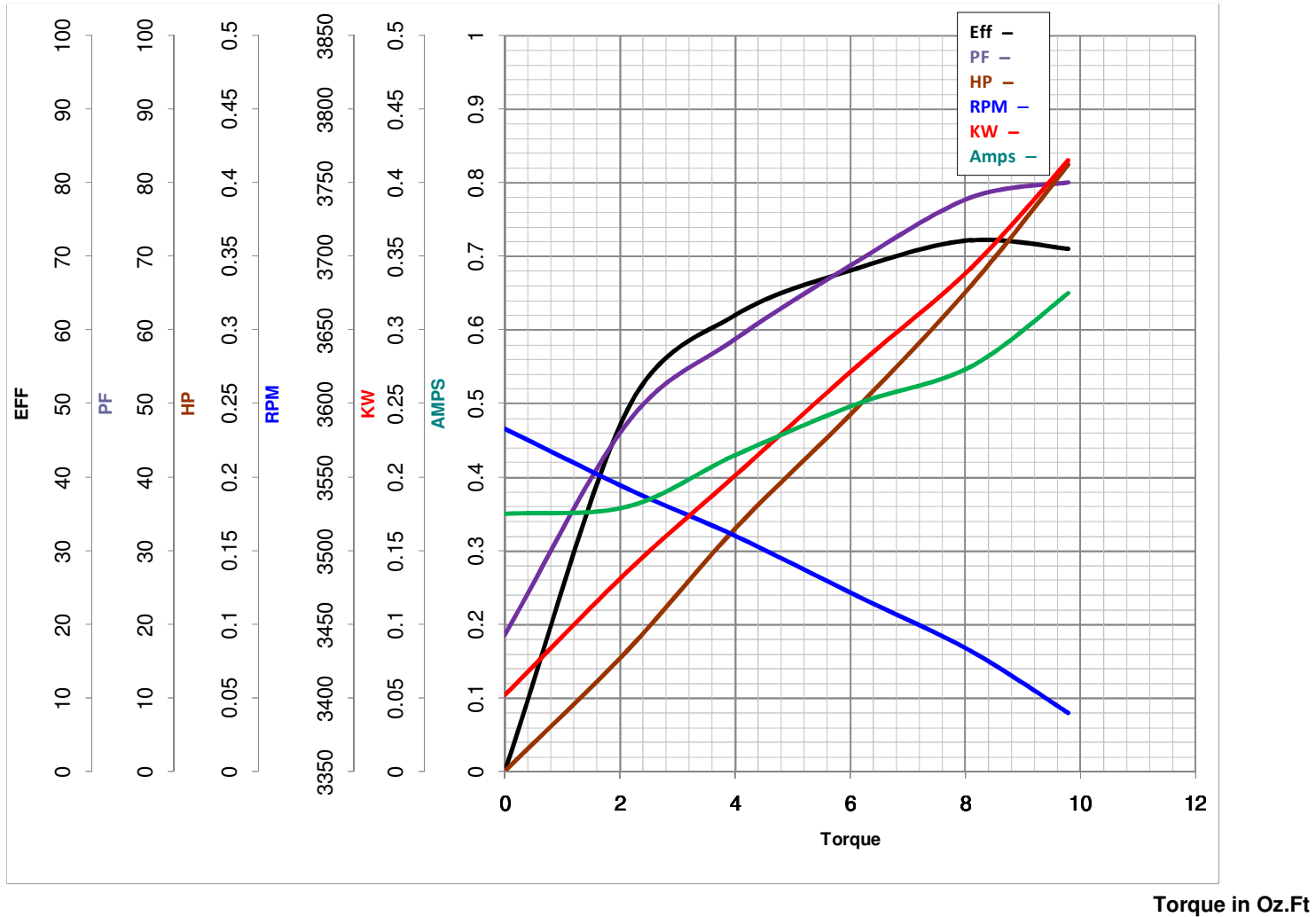
LEESON ELECTRIC CORPORATION
 TYPICAL PERFORMANCE CURVE for AC MOTOR

Model No 192027.00

Catalog No 192027.00

Curve at 460 Volts HP 0.33&0.33 PHASE 3
60 HZ
0.33 HP VOLTS 230/460&200/400

HZ 60&50 RPM 3430&2760



FL TORQUE 8.1 Oz.Ft
 BD TORQUE 28.0 Oz.Ft
 LR TORQUE 23.2 Oz.Ft

FL AMPS 1.1/.55
 PU TORQUE
 LR AMPS 3.25

WINDING QT6322-3

Date 5/22/2018