

# PRODUCT INFORMATION PACKET



Model No: C71T34FZ5C

Catalog No: 192034.00

1/2HP-

.37KW..3410/2790RPM.71.IP55.230/460V.3PH.60/50HZ.CONT.40C.1.15/1.15SF.B3/B5.C71T34FZ5C.....IEC

Metric.NOT.....

TEFC



Regal and Leeson are trademarks of Regal Beloit Corporation or one of its affiliated companies.

©2018 Regal Beloit Corporation, All Rights Reserved. MC017097E



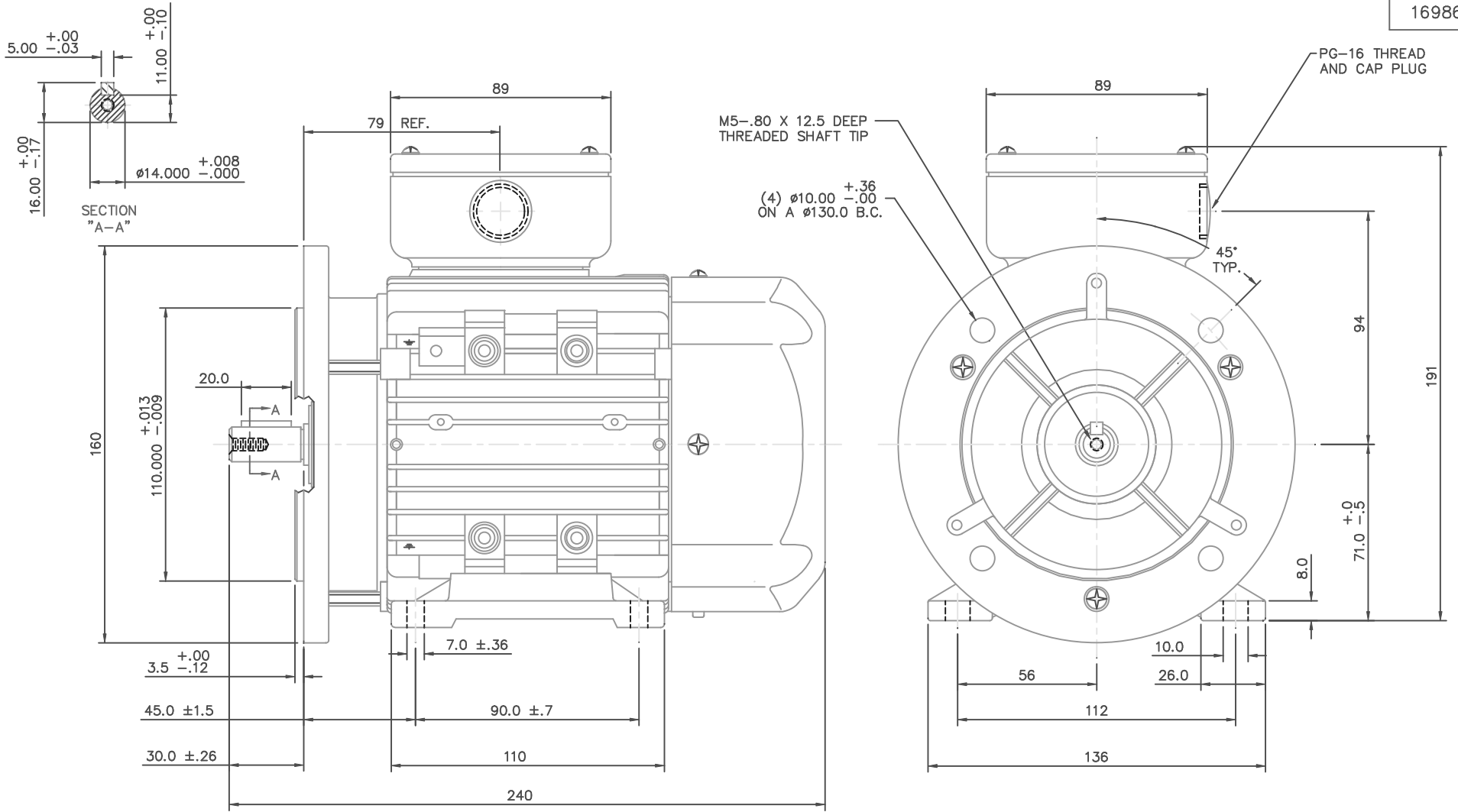


### Nameplate Specifications

Output HP	<b>0.50 Hp</b>	Output KW	<b>0.37 kW</b>
Frequency	<b>60 Hz</b>	Voltage	<b>230/460 V</b>
Current	<b>1.6/0.80 A</b>	Speed	<b>3410 rpm</b>
Service Factor	<b>1.15</b>	Phase	<b>3</b>
Efficiency	<b>74 %</b>	Duty	<b>Continuous</b>
Insulation Class	<b>F</b>	Design Code	<b>B</b>
KVA Code	<b>J</b>	Frame	<b>D71D</b>
Enclosure	<b>Totally Enclosed Fan Cooled</b>	Overload Protector	<b>No</b>
Ambient Temperature	<b>40 °C</b>	Drive End Bearing Size	<b>6203</b>
Opp Drive End Bearing Size	<b>6203</b>	UL	<b>Recognized</b>
CSA	<b>Y</b>	CE	<b>Y</b>
IP Code	<b>55</b>		

### Technical Specifications

Electrical Type	<b>Squirrel Cage Inverter Rated</b>	Starting Method	<b>Line Or Inverter</b>
Poles	<b>2</b>	Rotation	<b>Reversible</b>
Mounting	<b>B3</b>	Motor Orientation	<b>HORIZONTAL</b>
Drive End Bearing	<b>BALL</b>	Opp Drive End Bearing	<b>BALL</b>
Frame Material	<b>Aluminum</b>	Shaft Type	<b>IEC</b>
Overall Length	<b>9.44 in</b>	Frame Length	<b>4.68 in</b>
Shaft Diameter	<b>0.562 in</b>	Shaft Extension	<b>1.18 in</b>
Assembly/Box Mounting	<b>F3</b>		
Outline Drawing	<b>16986800</b>	Connection Diagram	<b>005465.01</b>

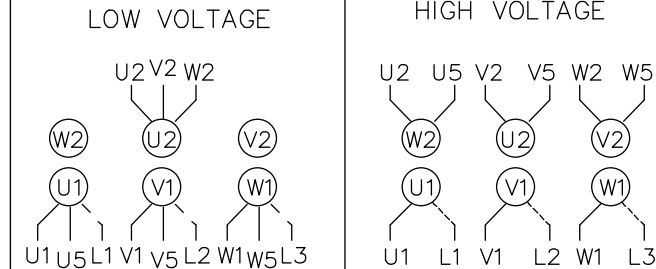


		TOLERANCES UNLESS SPECIFIED		LEESON	ELECTRIC MOTORS GEARMOTORS AND DRIVES	DRAWN ADS 01/31/02
		DEC.	METRIC			
		.X	±			APPD
		.XX	±	TITLE	METRIC MOTOR OUTLINE, IMB35	SCALE 1=1.5
		.XXX	±		IEC-71 FRAME RIGID MOUNT W/B5 FLANGE	REF OSVC-300-569
		.XXXX	±	MAT'L	ALUMINUM	FMF LEESON STOCK
NO.	REVISION	CHK	ANG ±	FINISH		PREV
THIS DRAWING IN DESIGN AND DETAIL IS OUR PROPERTY AND MUST NOT BE USED EXCEPT IN CONNECTION WITH OUR WORK ALL RIGHTS OF DESIGN AND INVENTION ARE RESERVED THIS IS AN ELECTRONICALLY GENERATED DOCUMENT - DO NOT SCALE THIS PRINT		RFP		CAD FILE	16986800	SIZE B
		DIST				DRAWING NO. 169868-00
						REV.



REF. DECAL (IEC) 080644  
REF. DECAL (NEMA) 080446

IEC MARKINGS



LINE VOLTAGE	L1	L2	L3	JOIN		
TERMINAL	U1	V1	W1	W2	U2	V2
LOW	U1,U5	V1,V5	W1,W5	---	U2,V2,W2	---
HIGH	U1	V1	W1	U2,U5	V2,V5	W2,W5

NEMA MARKINGS



LINE VOLTAGE	L1	L2	L3	JOIN		
TERMINAL	U1	V1	W1	W2	U2	V2
LOW	T1, T7	T2, T8	T3, T9	---	T4,T5,T6	---
HIGH	T1	T2	T3	T4, T7	T5, T8	T6, T9

TOLERANCES UNLESS SPECIFIED	
DEC.	INCHES
.X	±.1
.XX	±.01
.XXX	±.005
.XXXX	±.0005
ANG	±1/2'



ELECTRIC MOTORS  
GEARMOTORS  
AND DRIVES

DRAWN MGM 12/3/02

CHK

APPD

SCALE 1=1

REF 00537703

FMF

PREV

TITLE EXTERNAL WIRING DIAGRAM  
3 PHASE - DUAL VOLTAGE - W/TERM BLOCK

MAT'L. IEC/NEMA MARKINGS

FINISH THERMAL TRANSFER

NO.	REVISION	BY & DATE	CHK	ANG
01	NEMA LV CONNECTION WAS INCORRECT	RLW 8/4/03		

THIS DRAWING IN DESIGN AND DETAIL IS OUR PROPERTY AND MUST NOT BE USED EXCEPT IN CONNECTION WITH OUR WORK ALL RIGHTS OF DESIGN AND INVENTION ARE RESERVED THIS IS AN ELECTRONICALLY GENERATED DOCUMENT - DO NOT SCALE THIS PRINT

RFP  
DIST

CAD FILE 00546501

SIZE	DRAWING NO.	REV.
A	005465-01	01



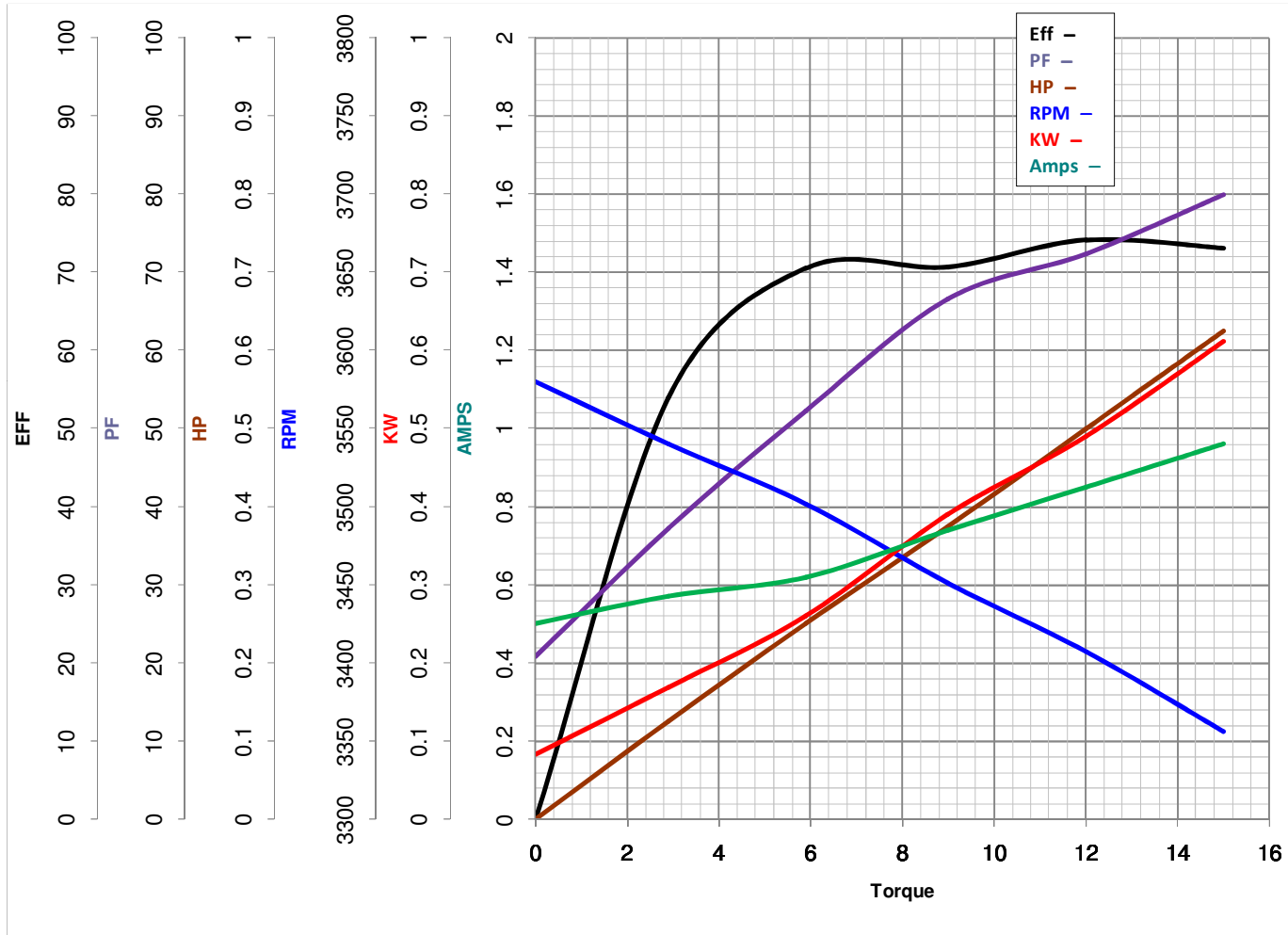
**LEESON ELECTRIC CORPORATION**  
 TYPICAL PERFORMANCE CURVE for AC MOTOR

Model No 192034.00

Catalog No 192034.00

Curve at 460 Volts      HP 0.5&0.5      PHASE 3  
60 HZ  
0.5 HP      VOLTS 230/460&200/400

HZ 60&50      RPM 3410&2790



Torque in Oz.Ft

FL TORQUE 12 Oz.Ft  
 BD TORQUE 37.2 Oz.Ft  
 LR TORQUE 36 Oz.Ft

FL AMPS 1.6/8  
 PU TORQUE 34.8 Oz.Ft  
 LR AMPS 4.65

WINDING QT7121-3

Date 5/22/2018