

# PRODUCT INFORMATION PACKET



Model No: C80T17FZ5C

Catalog No: 192045.00

3/4HP-

.55KW..1690/1390RPM.80.IP55.230/460V.3PH.60/50HZ.CONT.40C.1.15/1.15SF.B3/B5.C80T17FZ5C.....IEC  
METRIC.NOT.....

TEFC



Regal and Leeson are trademarks of Regal Beloit Corporation or one of its affiliated companies.

©2018 Regal Beloit Corporation, All Rights Reserved. MC017097E



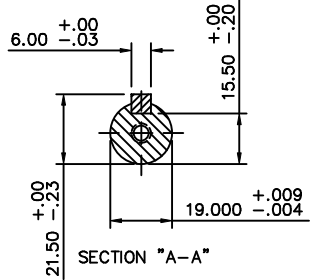
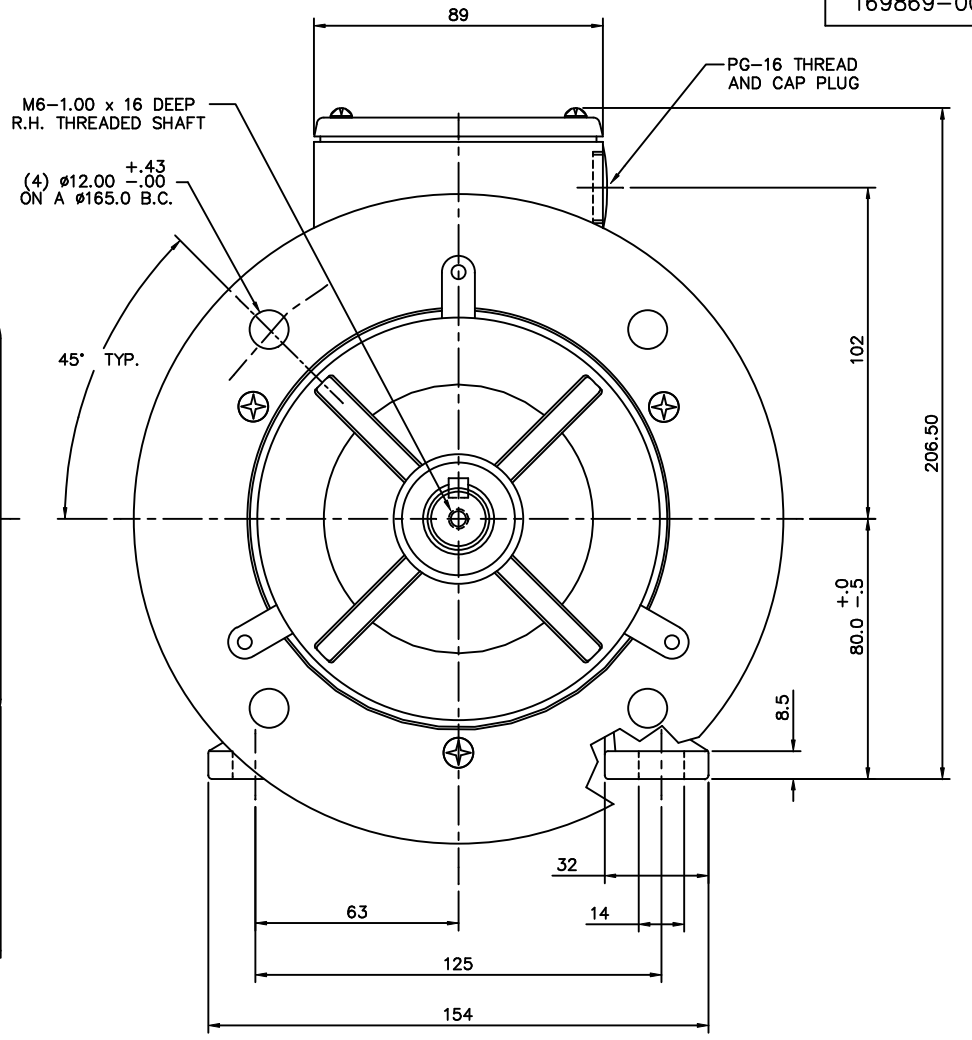
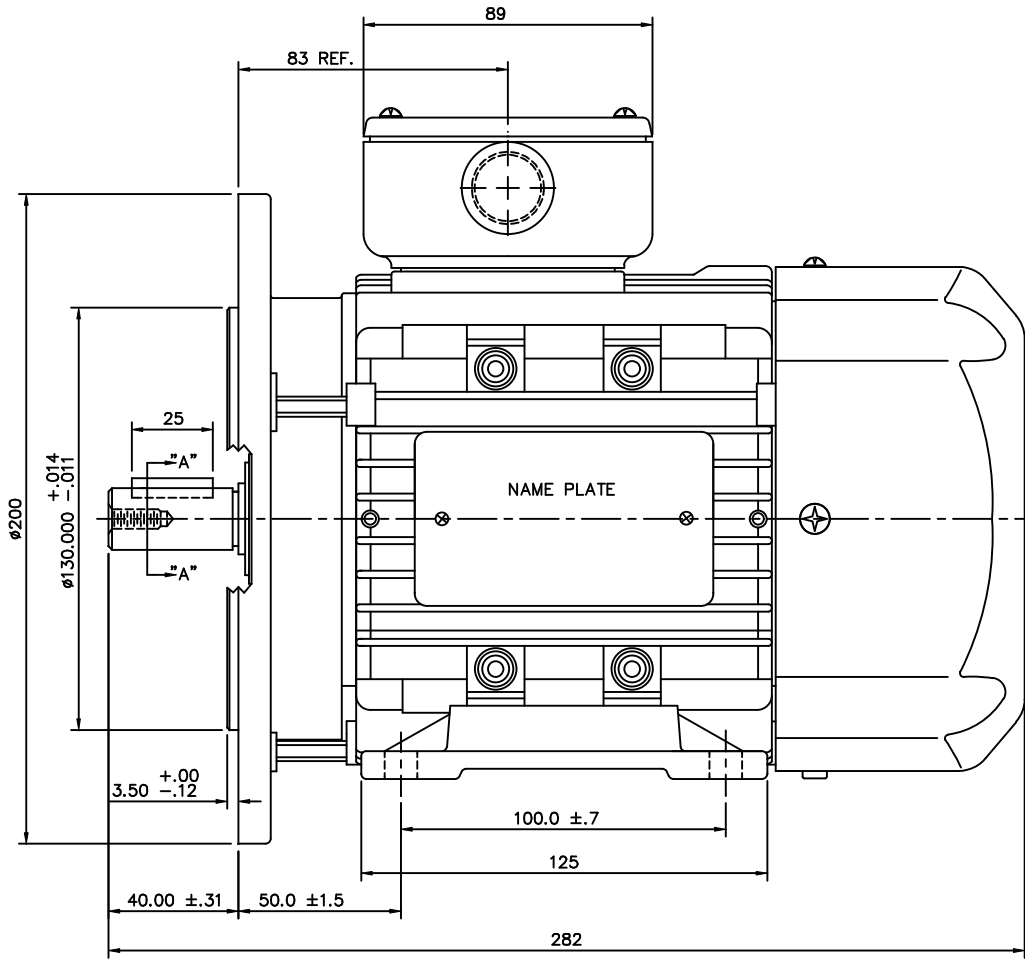


### Nameplate Specifications

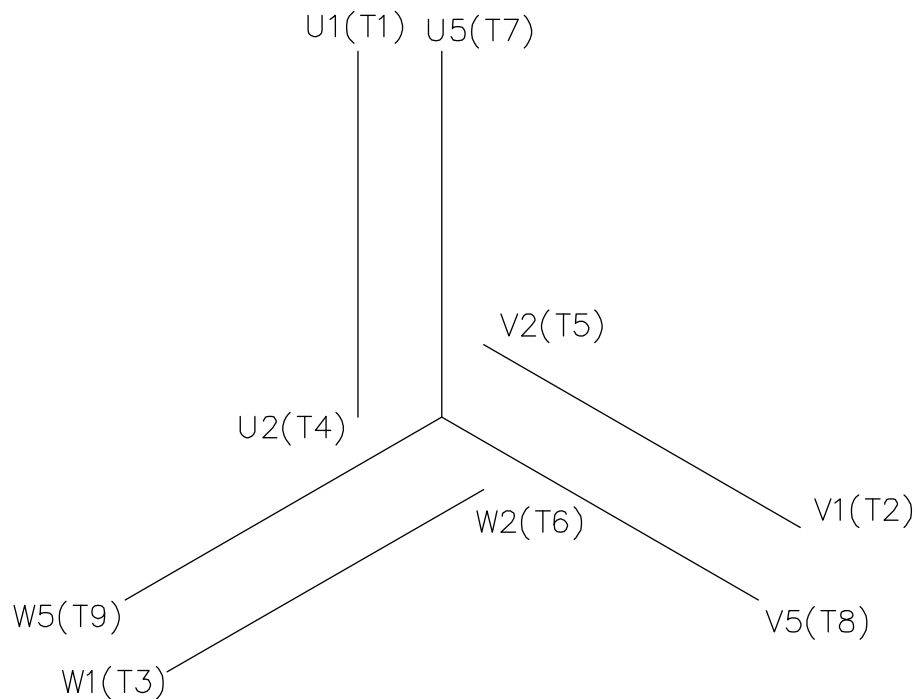
Output HP	<b>0.75 Hp</b>	Output KW	<b>0.56 kW</b>
Frequency	<b>60 Hz</b>	Voltage	<b>230/460 V</b>
Current	<b>2.5/1.3 A</b>	Speed	<b>1690 rpm</b>
Service Factor	<b>1.15</b>	Phase	<b>3</b>
Efficiency	<b>74 %</b>	Duty	<b>Continuous</b>
Insulation Class	<b>F</b>	Design Code	<b>B</b>
KVA Code	<b>H</b>	Frame	<b>D80D</b>
Enclosure	<b>Totally Enclosed Fan Cooled</b>	Overload Protector	<b>No</b>
Ambient Temperature	<b>40 °C</b>	Drive End Bearing Size	<b>6204</b>
Opp Drive End Bearing Size	<b>6204</b>	UL	<b>Recognized</b>
CSA	<b>Y</b>	CE	<b>Y</b>
IP Code	<b>55</b>		

### Technical Specifications

Electrical Type	<b>Squirrel Cage Inverter Rated</b>	Starting Method	<b>Line Or Inverter</b>
Poles	<b>4</b>	Rotation	<b>Reversible</b>
Mounting	<b>B3</b>	Motor Orientation	<b>HORIZONTAL</b>
Drive End Bearing	<b>BALL</b>	Opp Drive End Bearing	<b>BALL</b>
Frame Material	<b>Aluminum</b>	Shaft Type	<b>IEC</b>
Overall Length	<b>11.10 in</b>	Frame Length	<b>5.31 in</b>
Shaft Diameter	<b>0.750 in</b>	Shaft Extension	<b>1.57 in</b>
Assembly/Box Mounting	<b>F3</b>		
Outline Drawing	<b>16986900</b>	Connection Diagram	<b>005465.01</b>

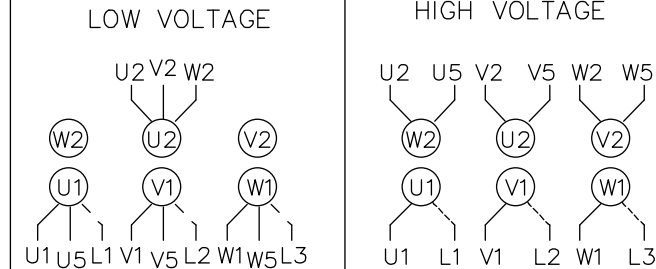


				TOLERANCES UNLESS SPECIFIED			ELECTRIC MOTORS GEARMOTORS AND DRIVES	DRAWN	ADS 01/22/02
				DEC.	INCHES			CHK	
				.X	±.1			APPD	
				.XX	±.03			TITLE	1=1.5
				.XXX	±.005	METRIC OUTLINE, IMB35 IEC-80 FRAME TEFC RIGID W/B5 FLANGE		REF	OSVC-300-552
01	CHANGED PART NUMBER IN TITLE BLOCK	RDW 8/17/05	KJH	.XXXX	±.0005	MAT'L	ALUMINUM	FMF	LEESON STOCK
NO.	REVISION	BY & DATE	CHK	ANG	±1/2"	FINISH		PREV	
THIS DRAWING IN DESIGN AND DETAIL IS OUR PROPERTY AND MUST NOT BE USED EXCEPT IN CONNECTION WITH OUR WORK ALL RIGHTS OF DESIGN AND INVENTION ARE RESERVED THIS IS AN ELECTRONICALLY GENERATED DOCUMENT - DO NOT SCALE THIS PRINT				RFP		CAD FILE	16986900	SIZE	DRAWING NO.
				DIST				B	169869-00
									01



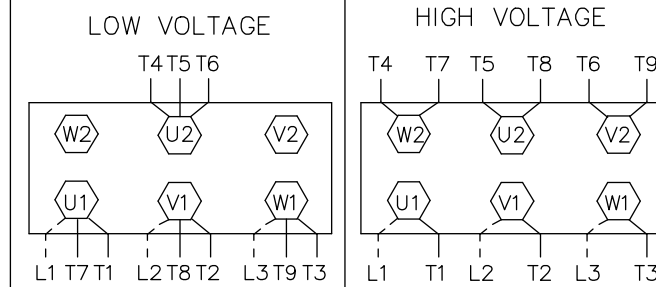
REF. DECAL (IEC) 080644  
REF. DECAL (NEMA) 080446

IEC MARKINGS



LINE VOLTAGE	L1	L2	L3	JOIN		
TERMINAL	U1	V1	W1	W2	U2	V2
LOW	U1,U5	V1,V5	W1,W5	---	U2,V2,W2	---
HIGH	U1	V1	W1	U2,U5	V2,V5	W2,W5

NEMA MARKINGS



LINE VOLTAGE	L1	L2	L3	JOIN		
TERMINAL	U1	V1	W1	W2	U2	V2
LOW	T1, T7	T2, T8	T3, T9	---	T4,T5,T6	---
HIGH	T1	T2	T3	T4, T7	T5, T8	T6, T9

TOLERANCES UNLESS SPECIFIED	
DEC.	INCHES
.X	±.1
.XX	±.01
.XXX	±.005
.XXXX	±.0005
ANG	±1/2'



ELECTRIC MOTORS  
GEARMOTORS  
AND DRIVES

DRAWN	MGM 12/3/02
CHK	
APPD	
SCALE	1=1
REF	00537703
FMF	
PREV	

TITLE  
EXTERNAL WIRING DIAGRAM  
3 PHASE - DUAL VOLTAGE - W/TERM BLOCK

MAT'L. IEC/NEMA MARKINGS

FINISH THERMAL TRANSFER

01	NEMA LV CONNECTION WAS INCORRECT	RLW	8/4/03	.XXXX	±.0005
NO.	REVISION	BY & DATE	CHK	ANG	±1/2'

THIS DRAWING IN DESIGN AND DETAIL IS OUR PROPERTY AND MUST NOT BE USED EXCEPT IN CONNECTION WITH OUR WORK ALL RIGHTS OF DESIGN AND INVENTION ARE RESERVED THIS IS AN ELECTRONICALLY GENERATED DOCUMENT - DO NOT SCALE THIS PRINT

RFP	CAD FILE	00546501	SIZE	DRAWING NO.	REV.
DIST			A	005465-01	01



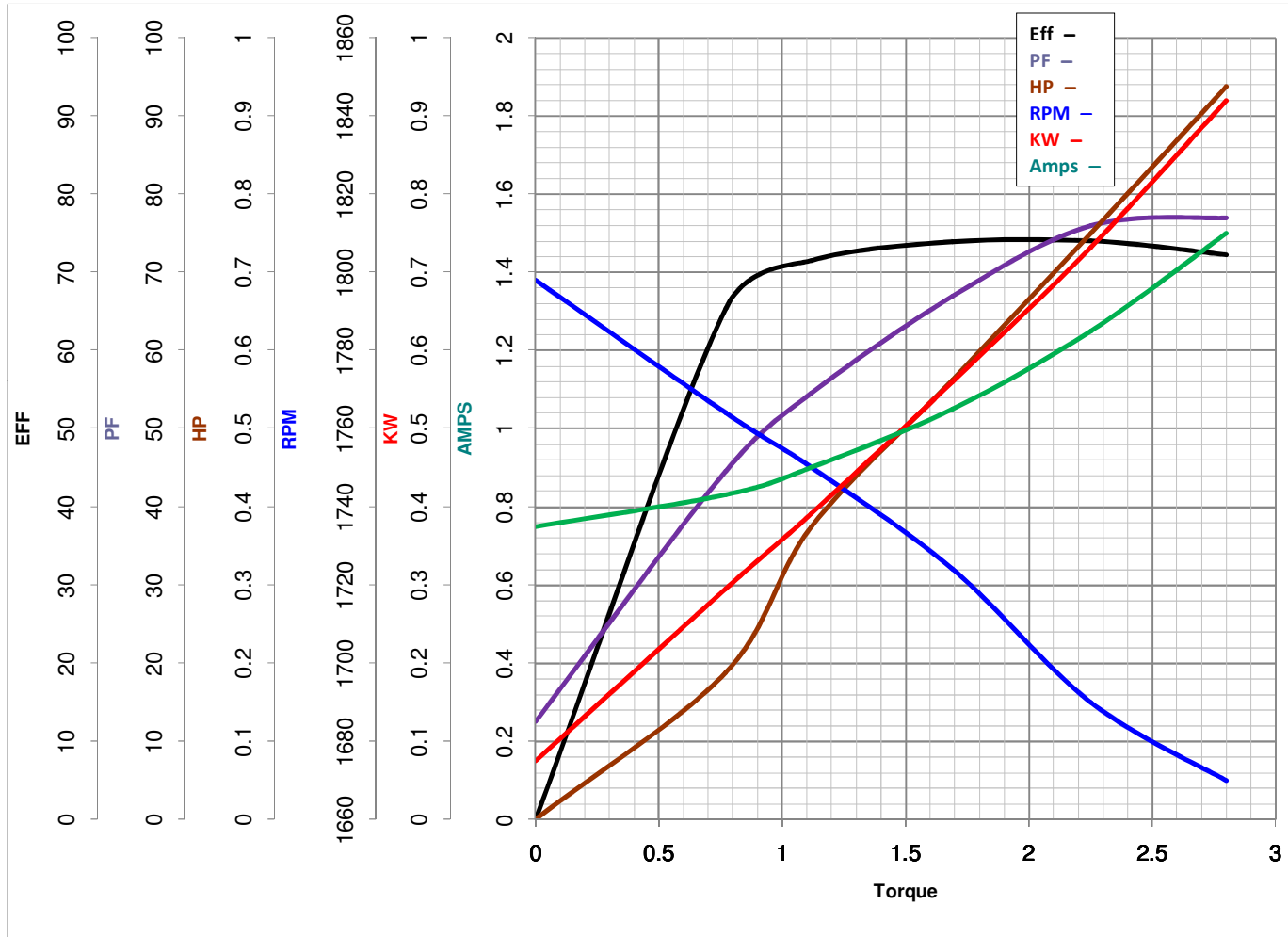
**LEESON ELECTRIC CORPORATION**  
 TYPICAL PERFORMANCE CURVE for AC MOTOR

Model No 192045.00

Catalog No 192045.00

Curve at 460 Volts      HP 0.75&0.75      PHASE 3  
60 HZ  
0.75 HP      VOLTS 230/460&200/400

HZ 60&50      RPM 1690&1390



Torque in Lb.Ft

FL TORQUE 2.25 Lb.Ft  
 BD TORQUE 6.1 Lb.Ft  
 LR TORQUE 5.85 Lb.Ft

FL AMPS 2.5/1.25  
 PU TORQUE 5.4 Lb.Ft  
 LR AMPS 6.8

WINDING QT8041-3

Date 5/23/2018