

PRODUCT INFORMATION PACKET



Model No: C63T34FZ7C

Catalog No: 192088.00

.25HP..18KW.3430RPM.63.IP55./575V.3PH.60HZ.CONT.NOT.40C.1.15SF.B3/B14.IEC
METRIC.C63T34FZ7C
TEFC



Regal and Leeson are trademarks of Regal Beloit Corporation or one of its affiliated companies.

©2018 Regal Beloit Corporation, All Rights Reserved. MC017097E



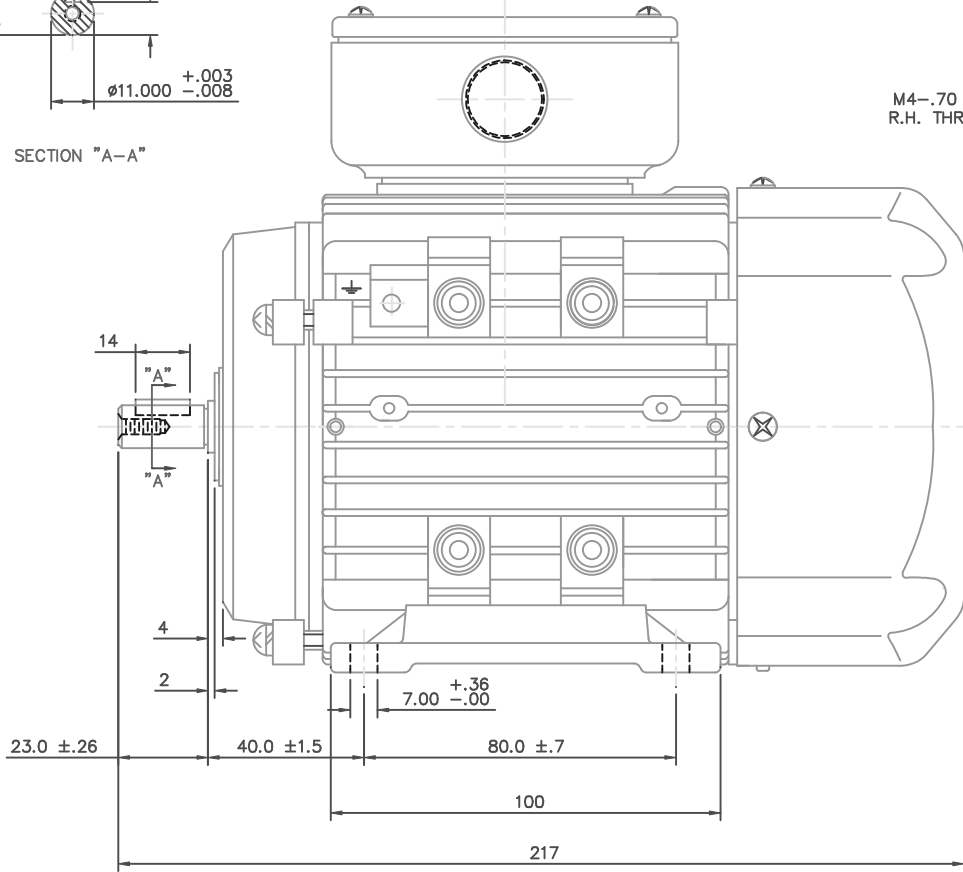
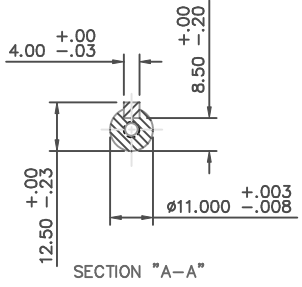


Nameplate Specifications

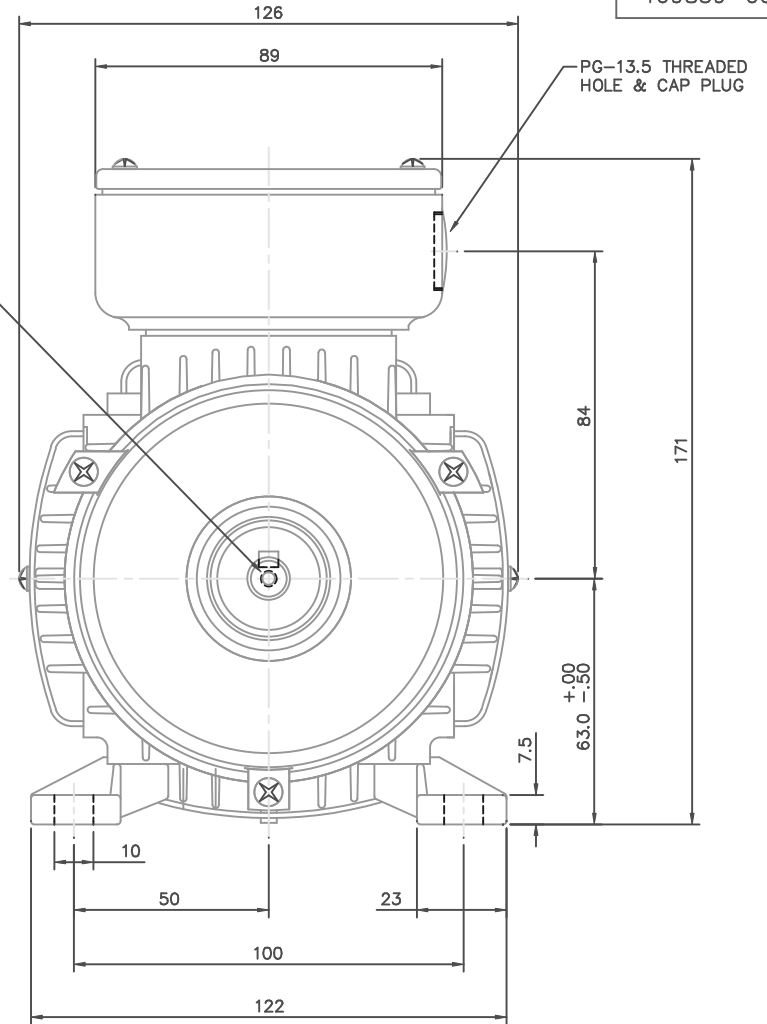
Output HP	0.25 Hp	Output KW	0.19 kW
Frequency	60 Hz	Voltage	575 V
Current	0.33 A	Speed	3430 rpm
Service Factor	1.15	Phase	3
Efficiency	72 %	Duty	Continuous
Insulation Class	F	Design Code	B
KVA Code	J	Frame	D63
Enclosure	Totally Enclosed Fan Cooled	Overload Protector	No
Ambient Temperature	40 °C	Drive End Bearing Size	6202
Opp Drive End Bearing Size	6202	UL	Recognized
CSA	Y	CE	Y
IP Code	43		

Technical Specifications

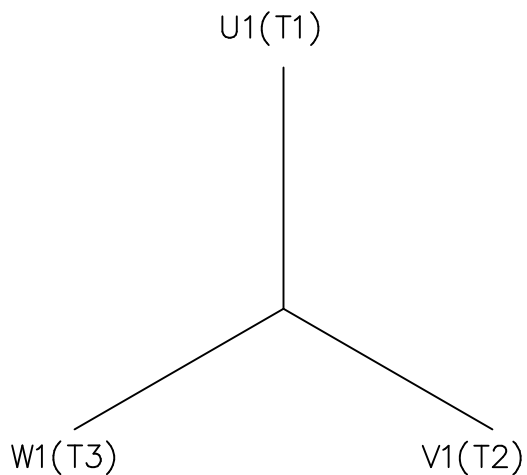
Electrical Type	Squirrel Cage Inverter Rated	Starting Method	Line Or Inverter
Poles	2	Rotation	Reversible
Mounting	B3	Motor Orientation	HORIZONTAL
Drive End Bearing	BALL	Opp Drive End Bearing	BALL
Frame Material	Aluminum	Shaft Type	IEC
Overall Length	8.54 in	Frame Length	4.44 in
Shaft Diameter	0.437 in	Shaft Extension	0.9 in
Assembly/Box Mounting	F3		
Outline Drawing	16985900	Connection Diagram	005468.01



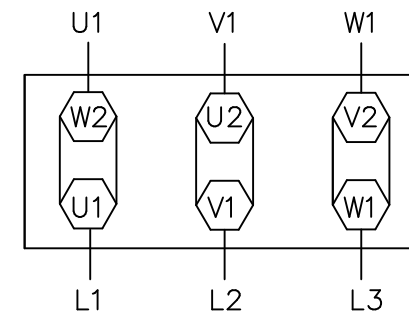
M4-.70 x 10MM DEEP
R.H. THREADED SHAFT



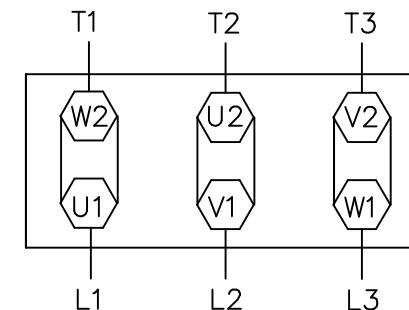
		TOLERANCES UNLESS SPECIFIED		LEESON	ELECTRIC MOTORS GEARMOTORS AND DRIVES	DRAWN			
		DEC.	METRIC			ADS 01/18/02			
		.X	±2.5			CHK			
		.XX	±.76	TITLE	METRIC MOTOR OUTLINE, IMB3 IEC-63 FRAME RIGID MOUNT	APPD			
		.XXX	±.127	MAT'L	ALUMINUM	SCALE 1=1.25			
		.XXXX	±.0127	FINISH		REF OSVC-300-554			
NO.	REVISION	BY & DATE	CHK	ANG	±1/2"	PREV			
THIS DRAWING IN DESIGN AND DETAIL IS OUR PROPERTY AND MUST NOT BE USED EXCEPT IN CONNECTION WITH OUR WORK. ALL RIGHTS OF DESIGN AND INVENTION ARE RESERVED. THIS IS AN ELECTRONICALLY GENERATED DOCUMENT - DO NOT SCALE THIS PRINT				RFP	CAD FILE	16985900	SIZE	DRAWING NO.	REV.
							B	169859-00	




IEC MARKINGS



NEMA MARKINGS



TO REVERSE ROTATION
INTERCHANGE ANY TWO
LINE LEADS

				TOLERANCES UNLESS SPECIFIED		 ELECTRIC MOTORS GEARMOTORS AND DRIVES	DRAWN MGM 12/10/02			
				DEC.	INCHES		CHK			
				.X	±.1		APPD			
				.XX	±.01		SCALE 3=4			
				.XXX	±.005		REF			
				.XXXX	±.0005	MAT'L.				
NO.	REVISION	BY & DATE	CHK	ANG	±1/2"	FINISH	FMF			
				RFP		CAD FILE	00546801	SIZE	DRAWING NO.	REV.
				DIST				A	005468-01	

THIS DRAWING IN DESIGN AND DETAIL IS OUR PROPERTY AND MUST NOT BE USED EXCEPT IN CONNECTION WITH OUR WORK ALL RIGHTS OF DESIGN AND INVENTION ARE RESERVED THIS IS AN ELECTRONICALLY GENERATED DOCUMENT - DO NOT SCALE THIS PRINT

