

# PRODUCT INFORMATION PACKET



Model No: CCD4P30/40T61YEH2

Catalog No: LM29853

40HP..1800RPM.286T.ODP.230/460V.3PH.60HZ.ELEVATOR.NOT.40C.1.0SF.RIGID..  
Elevator Duty



Regal and Leeson are trademarks of Regal Beloit Corporation or one of its affiliated companies.

©2018 Regal Beloit Corporation, All Rights Reserved. MC017097E



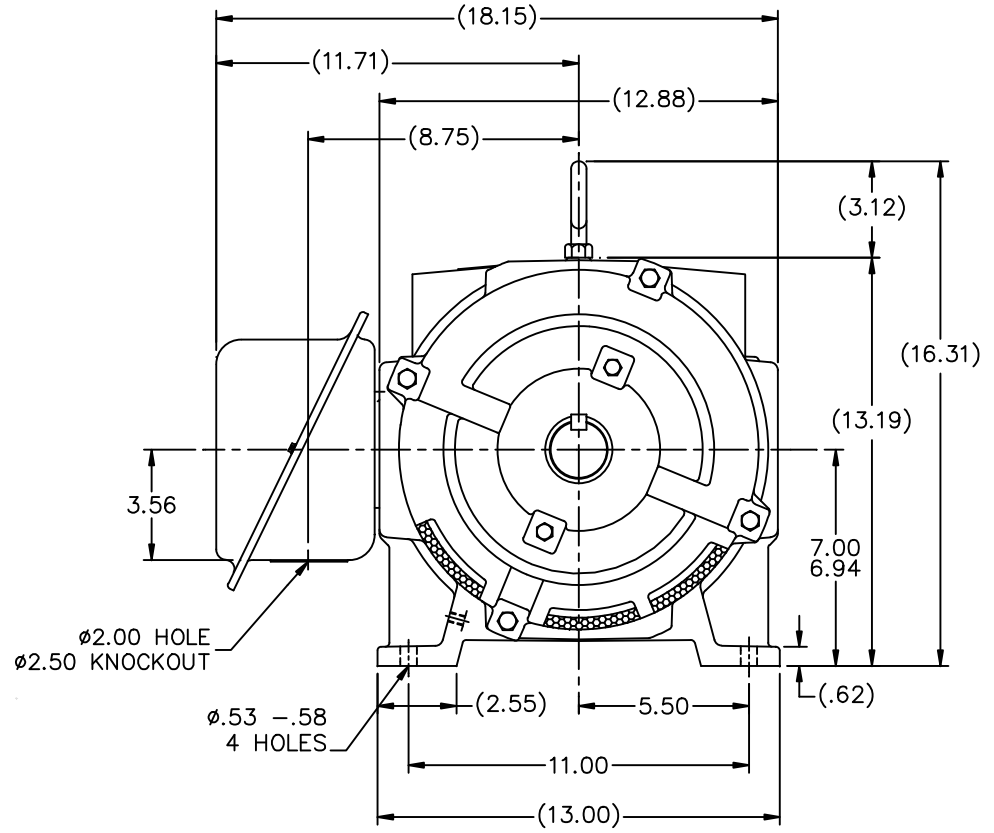
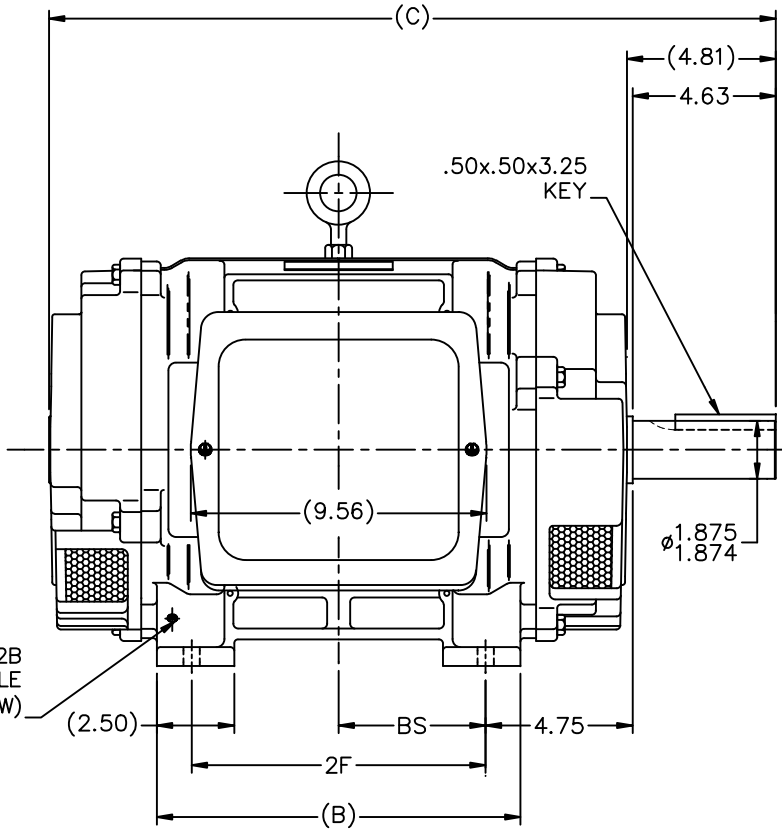


### Nameplate Specifications

Output HP	<b>30 Hp</b>	Output KW	<b>22.4 kW</b>
Frequency	<b>60 Hz</b>	Voltage	<b>230/460 V</b>
Current	<b>72.0/36.0 A</b>	Speed	<b>1770 rpm</b>
Service Factor	<b>1</b>	Phase	<b>3</b>
Efficiency	<b>92.4 %</b>	Duty	<b>120/80 Starts/Hour</b>
Insulation Class	<b>F</b>	Design Code	<b>INV</b>
KVA Code	<b>D</b>	Frame	<b>286T</b>
Enclosure	<b>Drip Proof</b>	Overload Protector	<b>No</b>
Ambient Temperature	<b>40 °C</b>	Drive End Bearing Size	<b>311</b>
Opp Drive End Bearing Size	<b>210</b>	UL	<b>Recognized</b>
CSA	<b>Y</b>	CE	<b>Y</b>
IP Code	<b>12</b>		

### Technical Specifications

Electrical Type	<b>Squirrel Cage Induction Run</b>	Starting Method	<b>Wye Start Delta Run</b>
Poles	<b>4</b>	Rotation	<b>Reversible</b>
Mounting	<b>Rigid base</b>	Motor Orientation	<b>HORIZONTAL</b>
Drive End Bearing	<b>BALL</b>	Opp Drive End Bearing	<b>BALL</b>
Frame Material	<b>Cast Iron</b>	Shaft Type	<b>T</b>
Overall Length	<b>24.99 in</b>	Frame Length	<b>14.25 in</b>
Shaft Diameter	<b>1.875 in</b>	Shaft Extension	<b>4.63 in</b>
Assembly/Box Mounting	<b>F1/F2 CAPABLE</b>		
Outline Drawing	<b>B-SS200030LN-1425</b>	Connection Diagram	<b>A-EE7358-LN</b>



- NOTES
1. BOX CAN BE ROTATED IN 90° STEPS
  2. BOX CAN BE MOUNTED ON OPPOSITE SIDE BY REMOVING BRACKETS AND TURNING FRAME 180°
  3. NAMEPLATE TO BE READ FROM CONDUIT BOX SIDE OF MOTOR

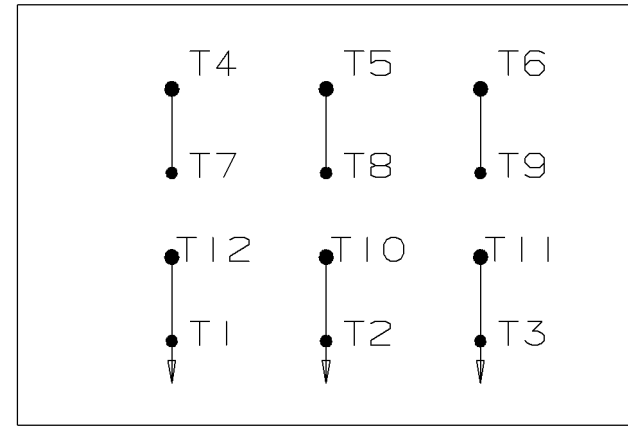
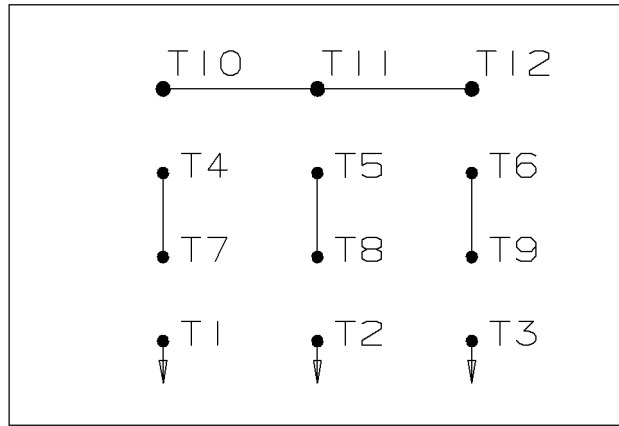
DASH	FRAME	B	C	2F	BS
1275	284T	11.75	23.49	9.50	4.75
1425	286T	13.25	24.99	11.00	5.50

		TOLERANCES UNLESS SPECIFIED		Lincoln MOTOR		DRAWN CTO 12-12-2003						
		DEC.	INCHES			CHK	ML 12-12-2003					
		.X	±.1			APPD	BW 12-12-2003					
		.XX	±.03	TITLE OUTLINE - DR.PR. - CAST IRON		SCALE	1=4					
2	ADDED SCREENS MU98659	EDK	12/3/2010	BW	.XXX ±.005	REF						
1	REV'D C'BOX HOLE 2.00/2.50 WAS JUST 2.00 MU 50269	ERH	07-14-2004	ML	.XXXX ±.0005	FMF	MU49135					
NO.	REVISION	BY & DATE		CHK	ANG ±7'30"	FINISH	PREV					
THIS DRAWING IN DESIGN AND DETAIL IS OUR PROPERTY AND MUST NOT BE USED EXCEPT IN CONNECTION WITH OUR WORK ALL RIGHTS OF DESIGN AND INVENTION ARE RESERVED THIS IS AN ELECTRONICALLY GENERATED DOCUMENT - DO NOT SCALE THIS PRINT				RFP	12-12-2003	CAD FILE	ss200030ln	SIZE	DRAWING NO.	PAGE	OF	REV.
				DIST	LB	B	SS200030LN	B	SS200030LN	2		2

WYE START

HIGH VOLTAGE

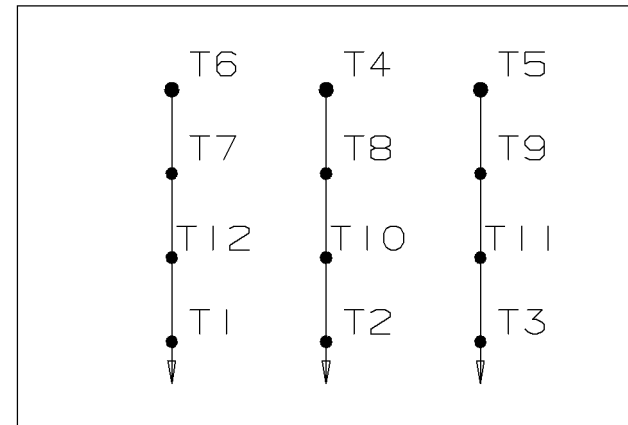
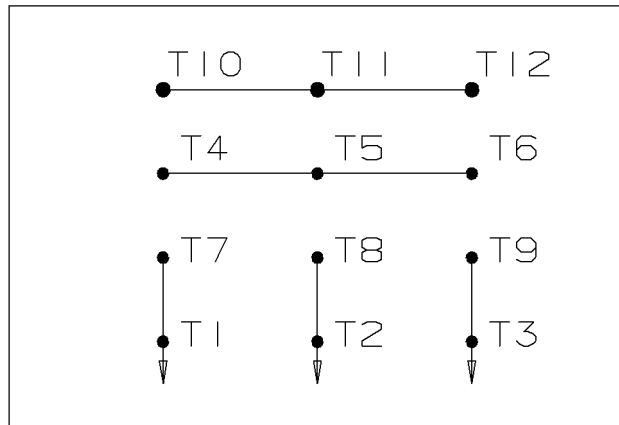
DELTA RUN



WYE START

LOW VOLTAGE

DELTA RUN



4/2 CKTY Δ

					<input checked="" type="checkbox"/> UNLESS OTHERWISE SPECIFIED DIMENSIONS ARE IN INCHES TOL. ON XX± .02    XXX± .005    XXXX± .0005    ANGLES± 7'30"		
						MAX. SURFACE ROUGHNESS UNLESS OTHERWISE NOTED FINISH MATERIAL	DRAWN BY DRS CHKD BY ML APPD BY TB
1	12-07-1999	NEW DRAWING	DRS	PART NAME CONNECTION DIAGRAM			DRWG NO A- EE7358-LN
REV	DATE	CHANGE	NAME	PURCHASED			CADD FILE NO. EE7358-LN



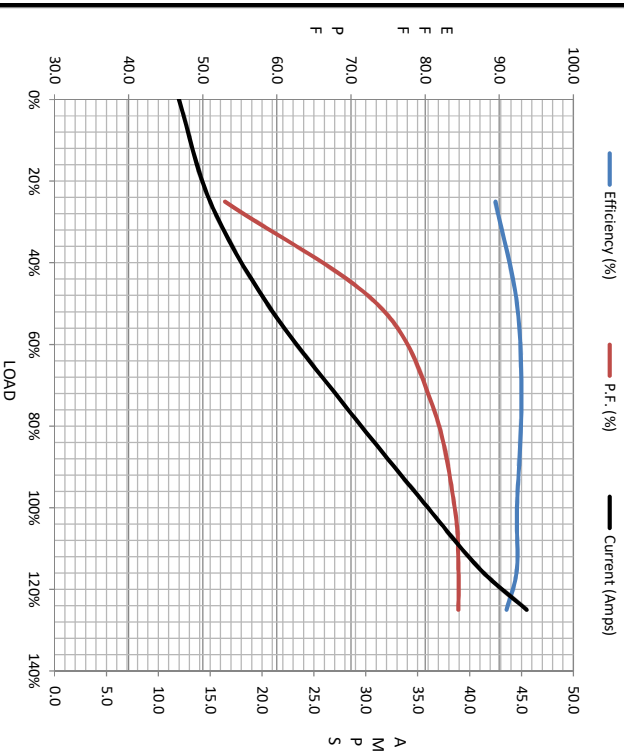
Motor Load Data						LR		
Load	0%	25%	50%	75%	100%	115%	125%	
Current (Amps)	12.0	15.0	20.5	28.0	36.0	41.0	45.5	215
Torque (ft-lb)	0.00	22.0	44.5	66.5	89.0	102	112	160
RPM	1800	1795	1785	1780	1770	1765	1760	0
Efficiency (%)		89.5	92.4	93.0	92.4	92.4	91.0	
P.F. (%)	6.0	53.0	73.5	81.0	84.0	84.5	84.5	39.0

Motor Speed Data

	LR	Pull-Up	BD	Rated	Idle
Speed (RPM)	0	750	1650	1770	1800
Current (Amps)	215	175	125	36.0	12.0
Torque (ft-lb)	160	145	225	89.0	0.00

Information Block

HP	30.0			
Sync. RPM	1800			
Frame	286			
Enclosure	DP			
Construction	TDP			
Voltage	230/460#230/460 V			
Frequency	60 Hz			
Design	B			
LR Code letter	G			
Service Factor	1.15			
Temp Rise @ FL	65 °C			
Duty	60 MIN			
Ambient	40 °C			
Elevation	1,000 feet			
Rotor/Shaft wk <sup>2</sup>	3.3 lb-Ft <sup>2</sup>			
Ref Wdg	K2564229 R5			
Sound Pressure @ 1M	72 dBA			
VFD Rating	NONE			
Outline Dwg	B-SS200030LN-1425			
Conn. Diag	A-EE7358-LN			
Additional Specifications:				
0				
EQUIV CKT (OHMS / PHASE)				
R1	R2	X1	X2	Xm
0.1700	0.1400	0.7600	1.2390	21.2850



Speed - Torque Curve

