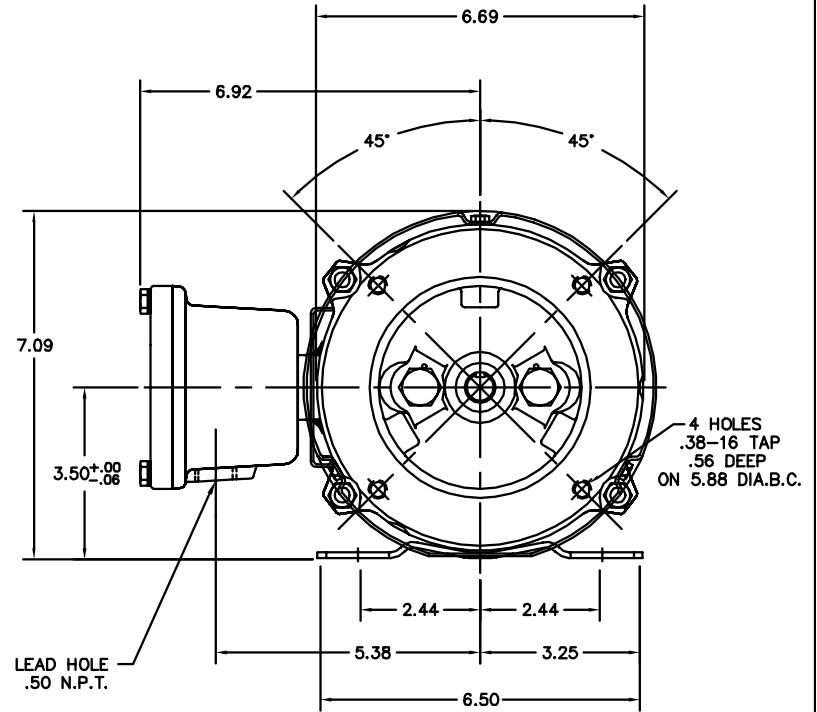
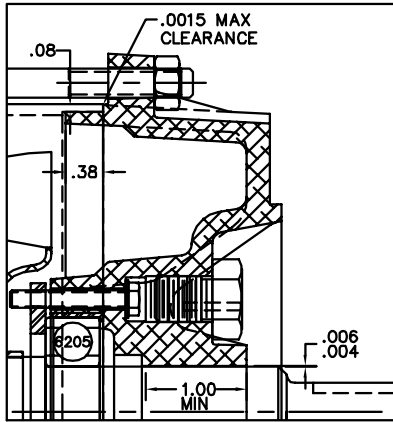
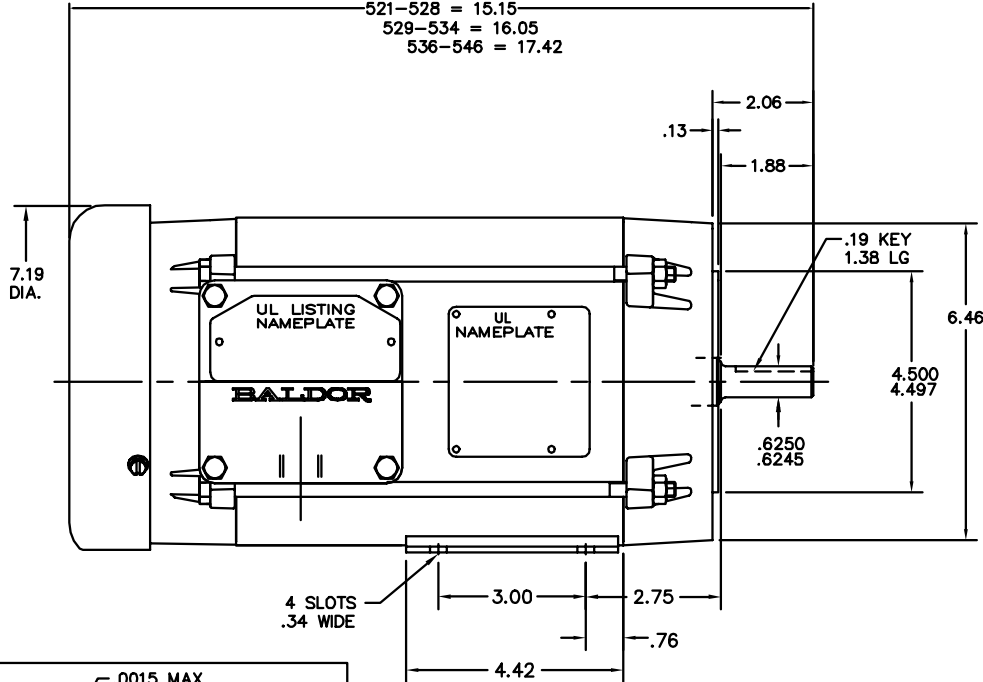


510-520 = 14.30  
 521-528 = 15.15  
 529-534 = 16.05  
 536-546 = 17.42



CUSTOMER IS RESPONSIBLE FOR DETERMINING THAT BALDOR'S PRODUCT WILL PERFORM SUITABLY IN THE INTENDED APPLICATION. UL CLASS I - GROUP D & CLASS II - GROUPS F & G

REV. DESC: REMOVE NOTE TO COPY FROM 35LYE367		
REV. LTR: G	VERSION: 02	TDR: 00000992100
FILE: \AAA\00005\303	REVISED: 08:27:08 08/11/2016	BY: USGRHUR
MTL: -		

**BALDOR**

STANDARD HORZ NEMA 56C TEFC X35L CL-I GP-D, CL-II GP-F&G

SH 1 of 1