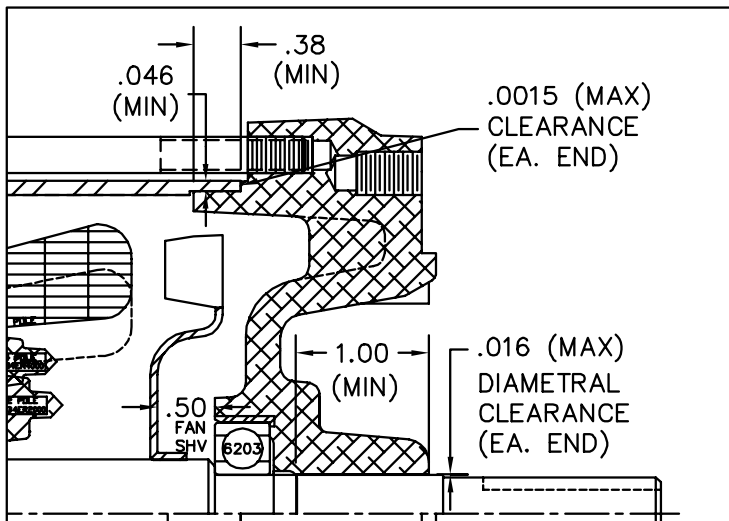
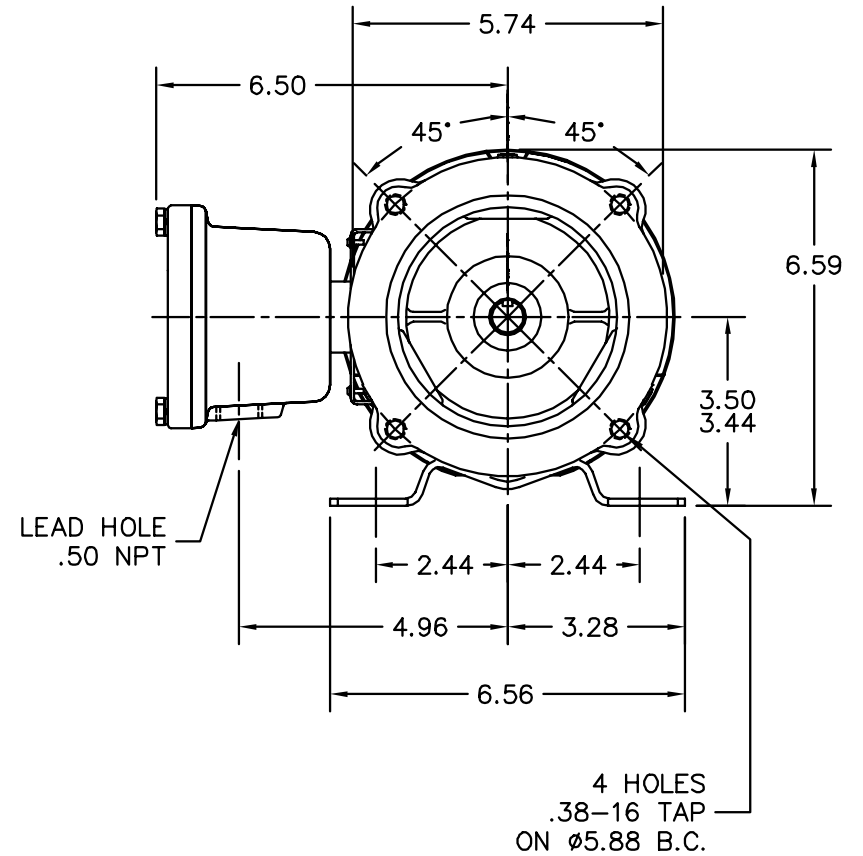
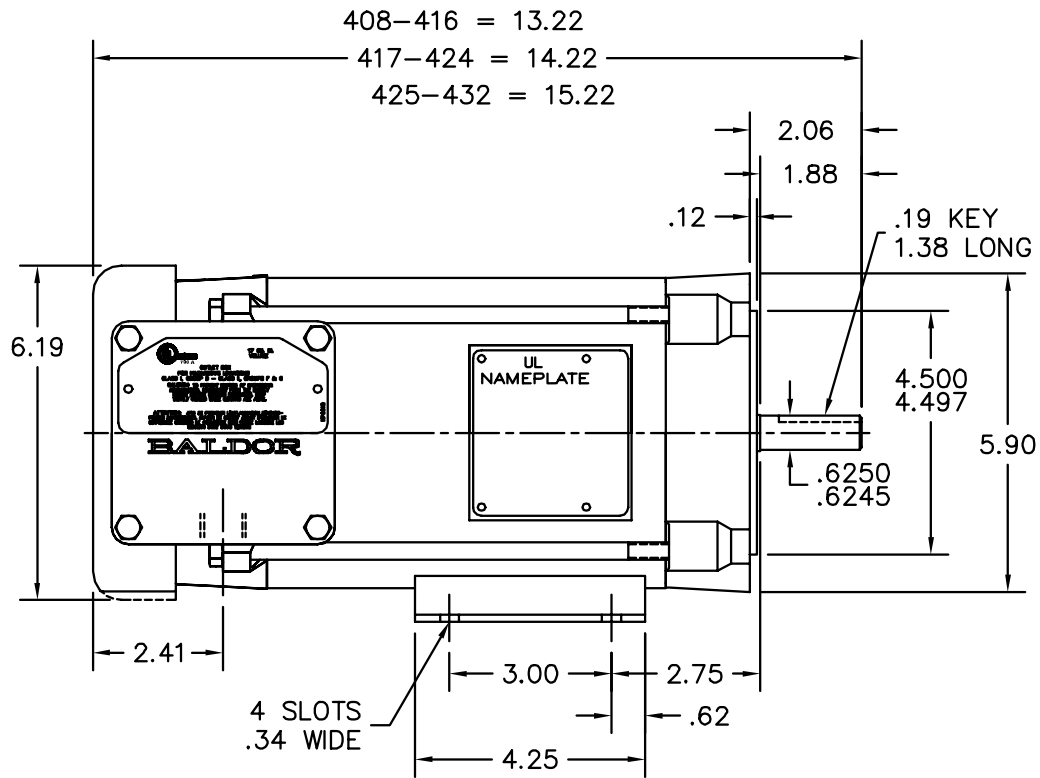


34LY5328



CUSTOMER IS RESPONSIBLE FOR DETERMINING THAT BALDOR'S PRODUCT WILL PERFORM SUITABLY IN THE INTENDED APPLICATION.

REV. DESC: UPDATE SHAFT & SWITCH PARTS		
REV. LTR: J	VERSION: 06	TDR: 000001043365
FILE: \AAA\00026\666	REVISED: 11:26:44 09/18/2017	BY: ENBENBO
MTL: -		

**BALDOR**

HORZ X34L 56C XPFC CL-I GP-D, CL-II GP-F&G, .50 NPT LEAD

SH 1 of 1

34LY5328