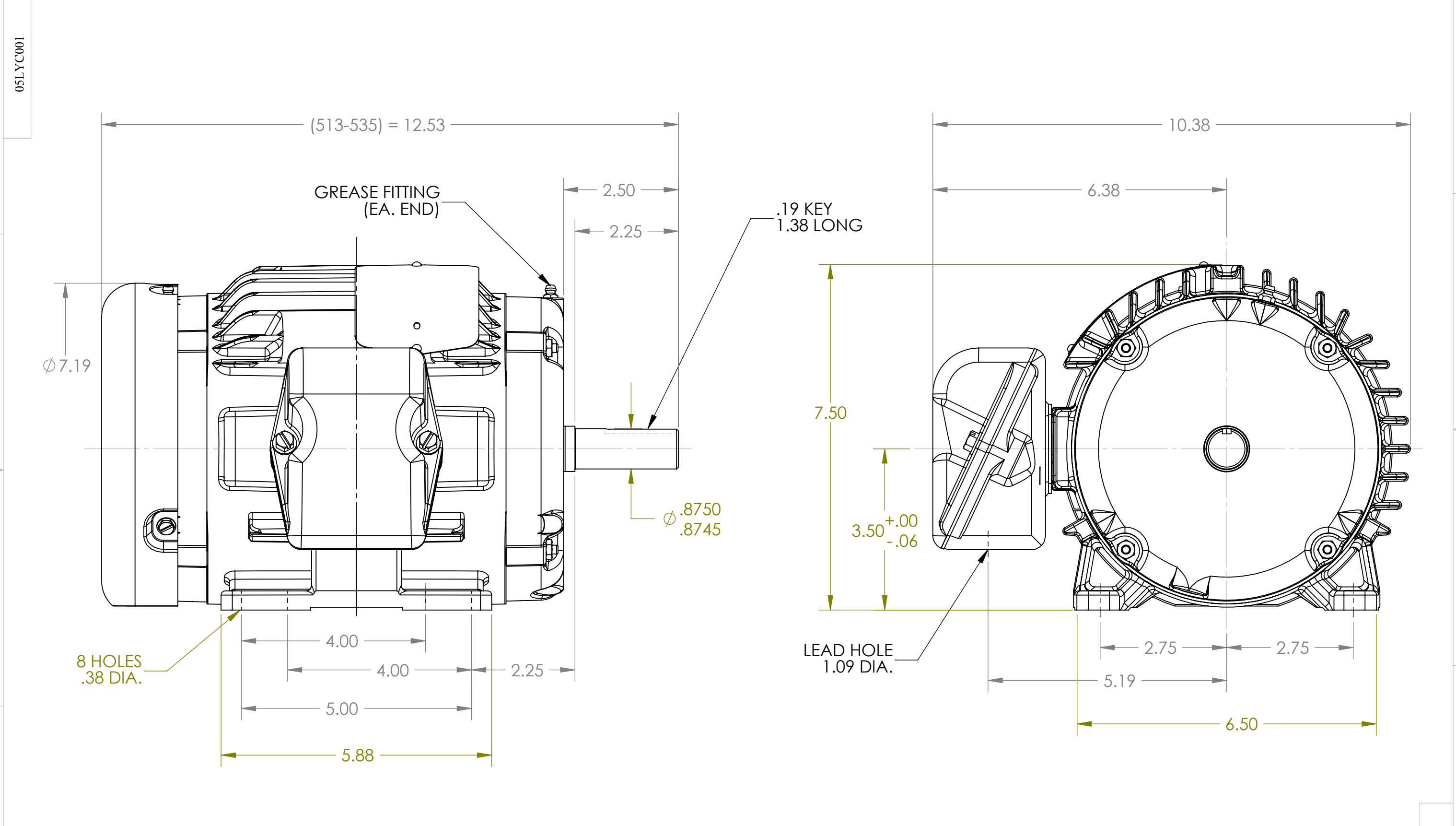


8 7 6 5 4 3 2 1



CUSTOMER IS RESPONSIBLE FOR DETERMINING THAT BALDOR'S PRODUCT WILL PERFORM SUITABLY IN THE INTENDED APPLICATION

REV. DESC: CHG SHEET SIZE			
REV: J	VERSION: 02	REVISED: 10:40:05 11/23/2010	TDR: 000000568497
MODEL NO. 05LYC001		REF:	
BY: ENMATRO		B	

BALDOR

HORZ 143-5T TEFC 305M

8 8 7 6 7 5 4 6 3 2 5 1

05LYC001