



Climax Metal Products Company

8141 Tyler Boulevard
Mentor, Ohio 44060
USA

Toll free: 800-542-6552

Phone: 440-585-0300

Fax: 800-860-5553

Email: sales@climaxmetal.com

Website: www.climaxmetal.com

ITEM # 1C-212-A, ONE-PIECE CLAMPING COLLAR 1C-SERIES

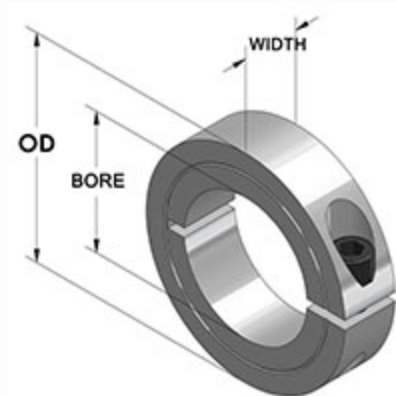
Aluminum One-Piece Clamping Collar. Design fully engages the shaft without marring. Greater axial holding power than set screw collars. Effective on hard & soft shafts.



[Drawing](#) | [Specifications](#) |

Drawing

Dimensional Drawing



One-Piece Clamping Collar

Specifications

Bore	2 1/8 in
OD	3 1/4 in
Width	3/4 in
Style	One-Piece Clamp
Material	Aluminum, ASTM B211
Finish	Plain
Clamp Screw	Hex Socket Cap Screw, 3A Thread, Steel, ASTM A574: 5/16-24 x 1
Recessed Screw	No
Approximate Weight	15.20 oz
UPC Code	044861128237
Downloads	Catalog Page

Competitor Part Number -

Alternate Part Number	242761
	2AKR1
	6157K46
	75236745
	7A202
	8699043
	CL34A
	CL-34-A