

**Climax Metal Products Company**

8141 Tyler Boulevard
Mentor, Ohio 44060
USA

Toll free: 800-542-6552

Phone: 440-585-0300

Fax: 800-860-5553

Email: sales@climaxmetal.com

Website: www.climaxmetal.com

ITEM # 2CC-112-100-KW, TWO-PIECE CLAMPING COUPLINGS RECESSED SCREW W/KEYWAY 2CC-SERIES

Black Oxide Plated Steel Two-Piece Clamping Coupling with Keyway - Recessed Screw Heads. Recessed Screw Head provides an outside surface free of major projections for safety. Easily installed where major disassembly would otherwise be required. Does not mar the shaft.

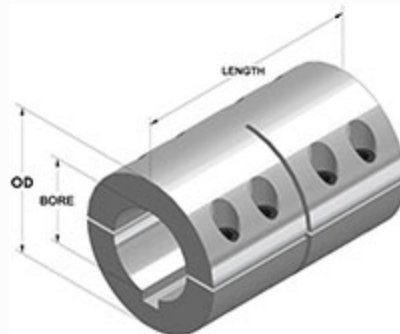
[View Catalog Page](#)



[Drawing](#) | [Specifications](#)

Drawing

Dimensional Drawing



Two-Piece Clamping Coupling with Recessed Screw with Keyway

Specifications

Bore	1 1/8 in
2nd Bore	1 in
OD	2 1/8 in
Length	3 1/4 in
Style	Two-Piece Clamp
Keyway Size	1/4 x 1/8 in
Material	Steel, ASTM A108
Finish	Black Oxide
Clamp Screw	Hex Socket Cap Screw, 3A Thread, Steel, ASTM A574: 1/4-28 x 3/4
Recessed Screw	Yes
Approximate Weight	35.90 oz
UPC Code	044861965535
Downloads	Catalog Page