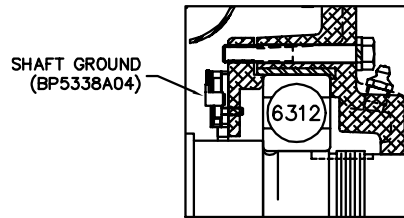
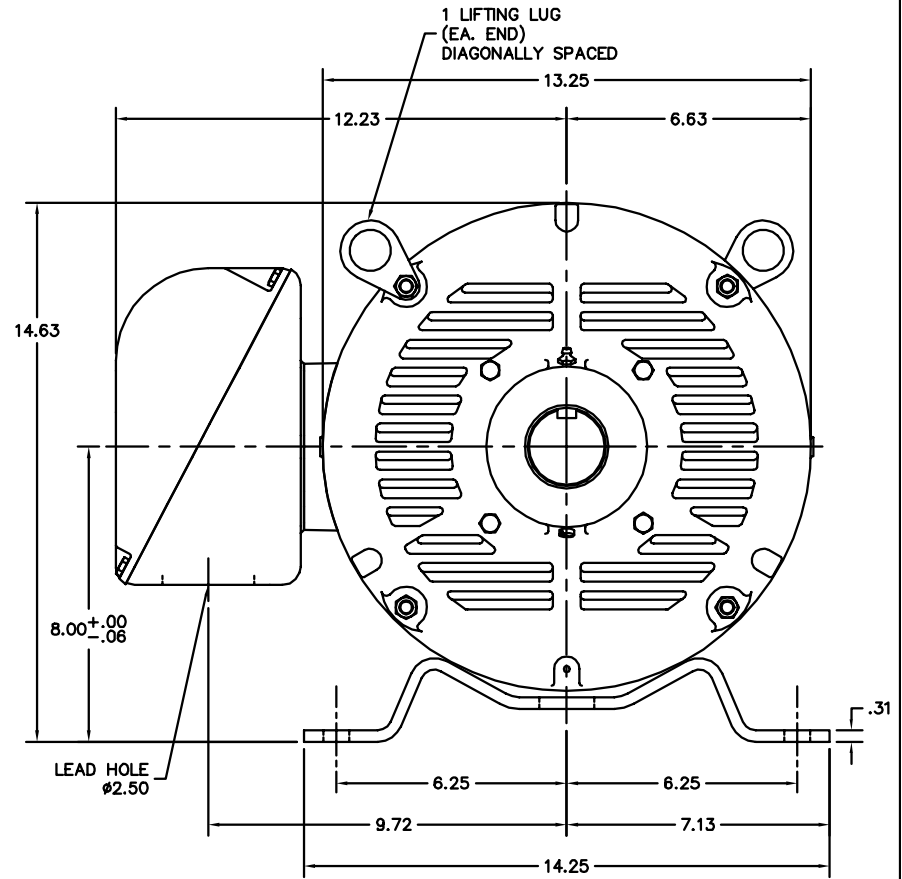
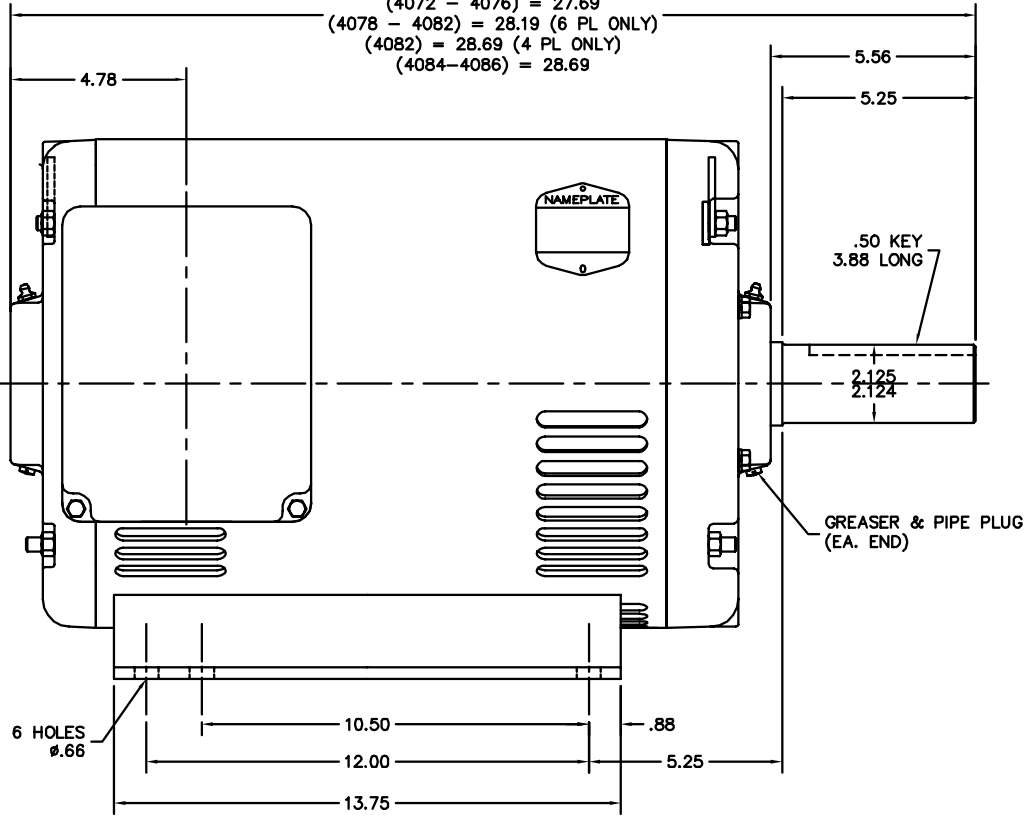


40LYE331

(4034 - 4056) = 26.19  
 (4058 - 4070) = 27.19  
 (4072 - 4076) = 27.69  
 (4078 - 4082) = 28.19 (6 PL ONLY)  
 (4082) = 28.69 (4 PL ONLY)  
 (4084 - 4086) = 28.69



PULLEY END DETAIL

CUSTOMER IS RESPONSIBLE FOR DETERMINING THAT BALDOR'S PRODUCT WILL PERFORM SUITABLY IN THE INTENDED APPLICATION.

REV. DESC: CHG'D INTERNAL SH GND TO BP5338A04	VERSION: 01	TDR: 000000846669
REV. LTR: A	REVISED: 11:17:06 04/01/2014	BY: ENSTEB1
FILE: \AAA\00203\982	MTL: -	

**BALDOR**

OPSB 324-6T W/INT SH GND

SH 1 of 1

40LYE331