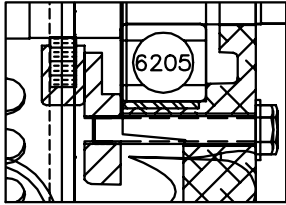
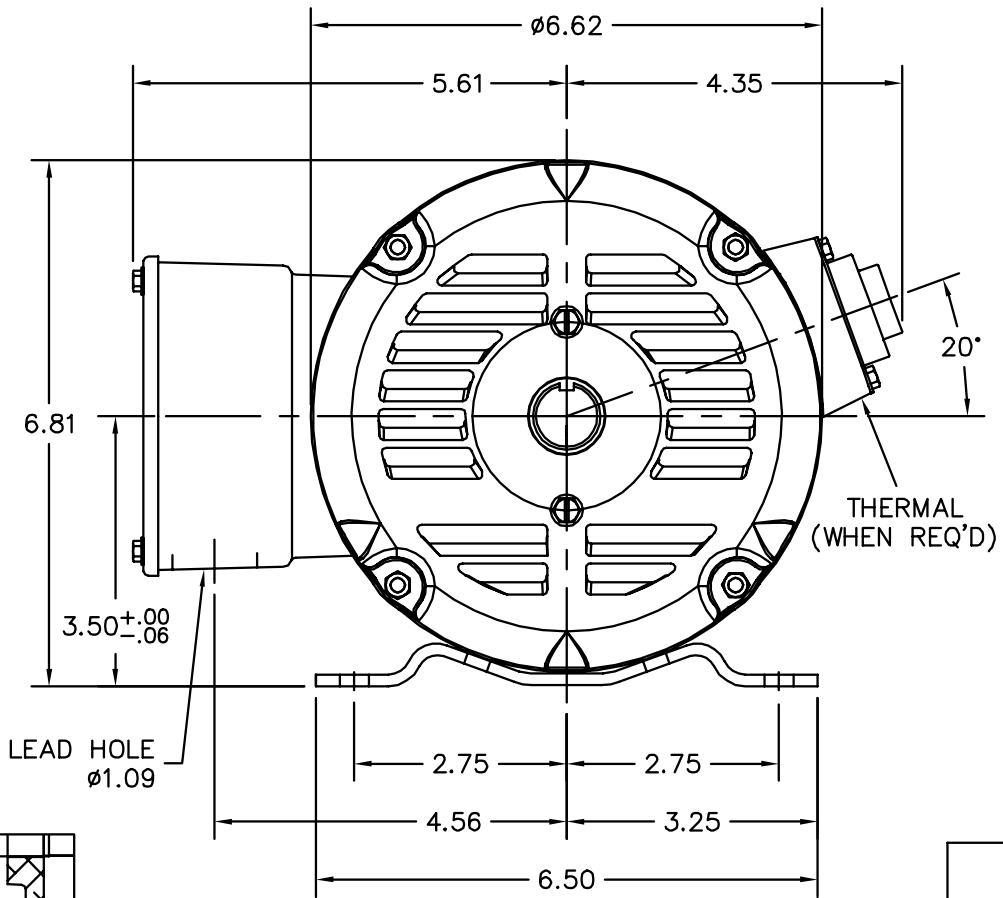
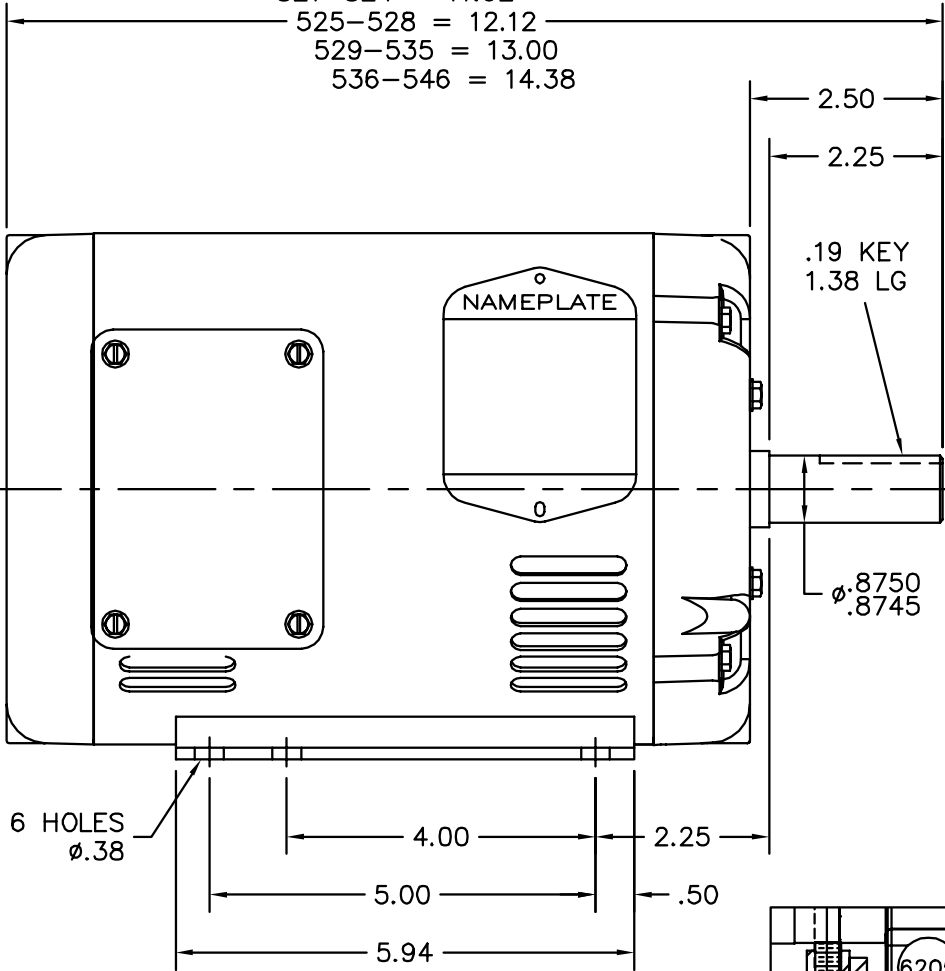


510-520 = 11.12  
521-524 = 11.62  
525-528 = 12.12  
529-535 = 13.00  
536-546 = 14.38



PU END DETAIL

CUSTOMER IS RESPONSIBLE FOR DETERMINING THAT BALDOR'S PRODUCT WILL PERFORM SUITABLY IN THE INTENDED APPLICATION.

REV. DESC: REPLACE ENDPLATES		
REV. LTR: E	VERSION: 05	TDR: 000001041474
FILE: \AAA\00174\501	REVISED: 01:44:49 09/05/2017	BY: USJOBUR22
MTL: -		

**BALDOR**

HOR 143-5T OPSB M, AEGIS INT SHAFT GND

SH 1 of 1

35LYZ069