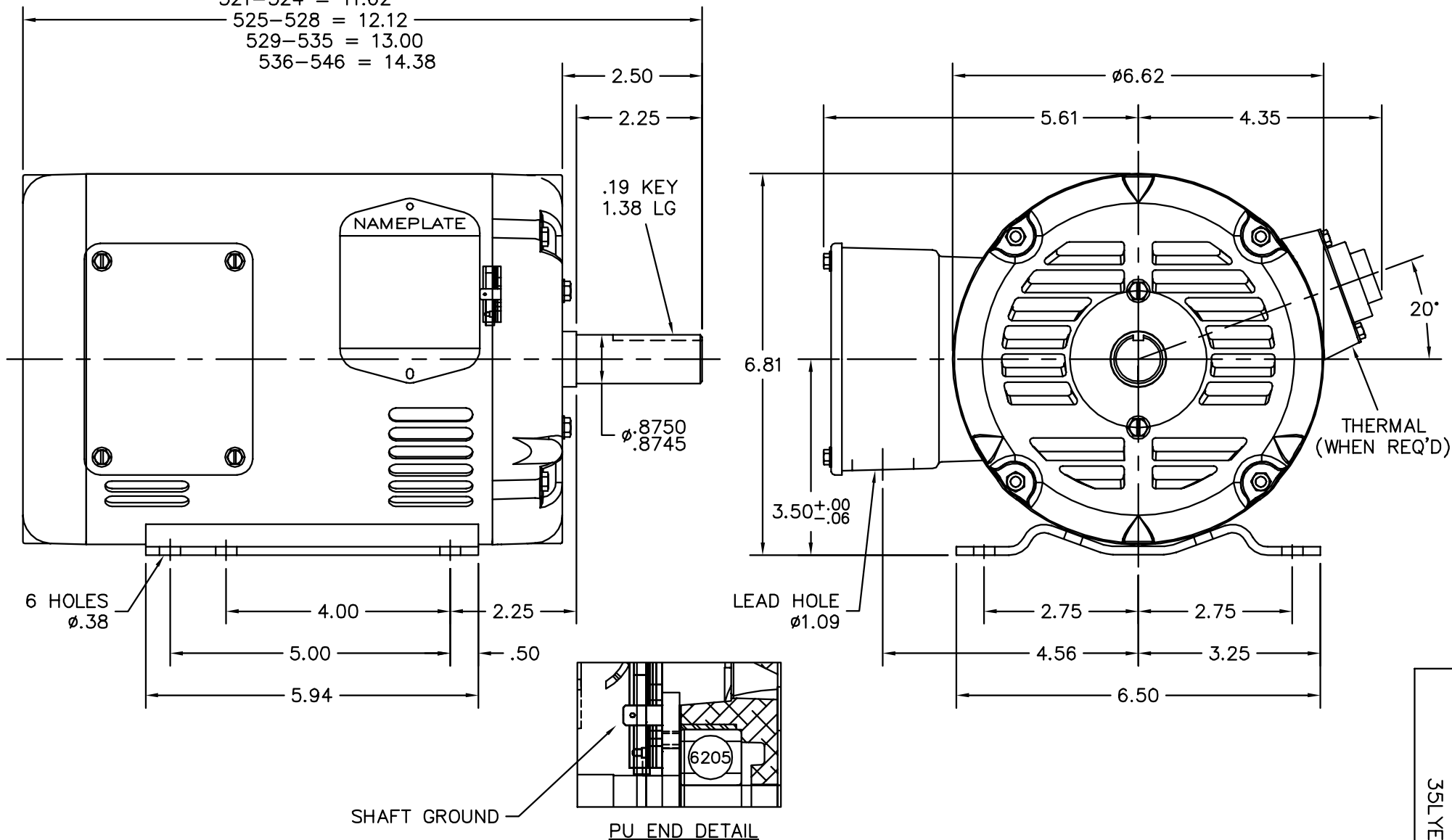


510-520 = 11.12  
 521-524 = 11.62  
 525-528 = 12.12  
 529-535 = 13.00  
 536-546 = 14.38



CUSTOMER IS RESPONSIBLE FOR DETERMINING THAT BALDOR'S PRODUCT WILL PERFORM SUITABLY IN THE INTENDED APPLICATION.

REV. DESC: REPLACE ENDPLATES		
REV. LTR: C	VERSION: 03	TDR: 000001041474
FILE: \AAA\00204\467	REVISED: 10:08:22 09/05/2017	BY: USJOBUR22
MTL: -		

**BALDOR**

HOR 143-5T OPSB M W/ BALDOR INT SHAFT GND  
 SH 1 of 1