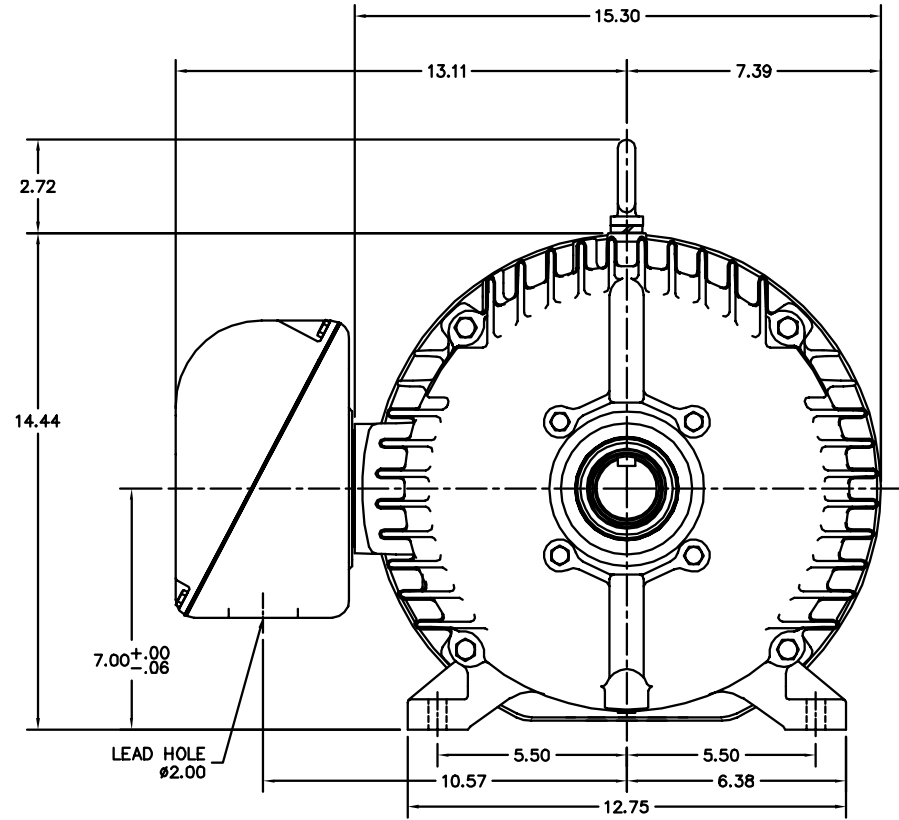


PULLEY END DETAIL



CUSTOMER IS RESPONSIBLE FOR DETERMINING THAT BALDOR'S PRODUCT WILL PERFORM SUITABLY IN THE INTENDED APPLICATION.

REV. DESC: REMOVE LOCKNUT	VERSION: 02	TDR: 000000956702
REV. LTR: B	REVISED: 04:28:25 12/08/2015	BY: ENMARSO
FILE: \AAA\00205\510		
MTL: -		

BALDOR

HORZ TEFC 284-6T W/SLD BRGS, LIP SEAL & SLINGER (FARM DUTY)

SH 1 of 1