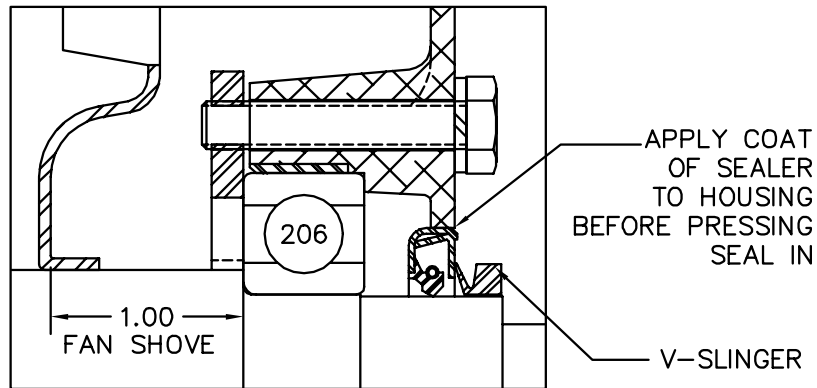
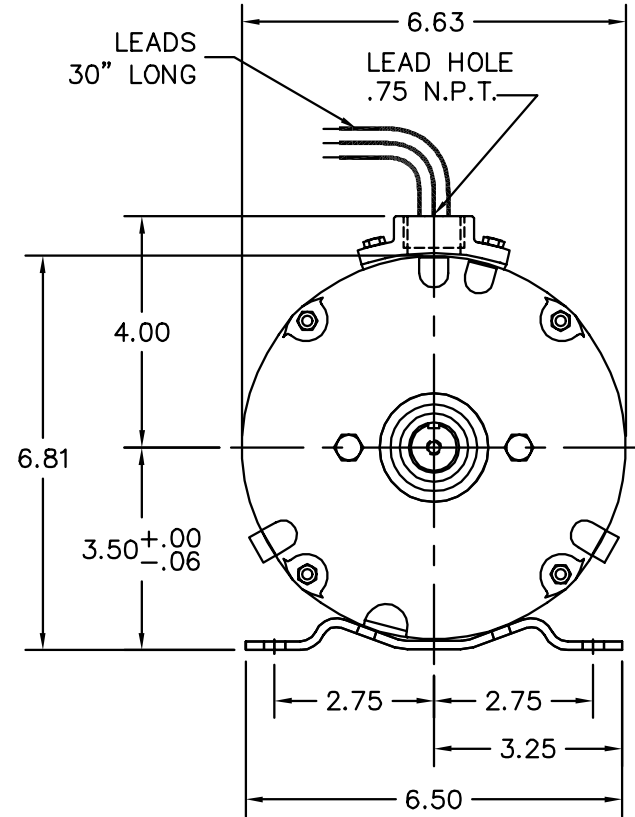
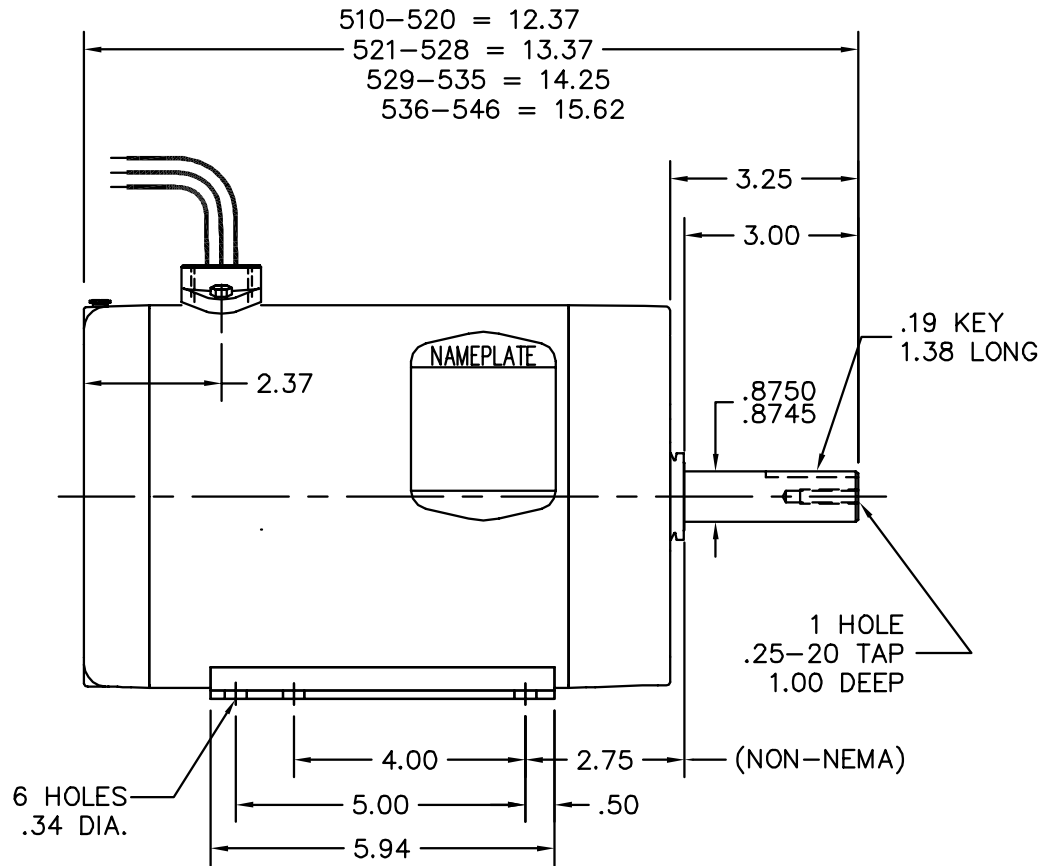


35LYE2501



PULLEY END DETAIL

CUSTOMER IS RESPONSIBLE FOR DETERMINING THAT BALDOR'S PRODUCT WILL PERFORM SUITABLY IN THE INTENDED APPLICATION.

REV. DESC: REPLACE ENDPLATES		
REV. LTR: B	VERSION: 02	TDR: 000001065250
FILE: \AAA\00207\353	REVISED: 08:47:38 03/23/2018	BY: USJOBUR22
MTL: -		

BALDOR - RELIANCE®

HOR 143-5TZ TENV W/PIPE ADPT, SEAL, 2P "W" BASE 35BA4009

SH 1 of 1

35LYE2501