

PU SERIES INSTALLATION & DIMENSIONS

Models: PU-(X)E

Description: Indoor Duty

PU-(X)R

Description: Outdoor Duty (water resistant)

X = magnet poles (refer to chart below)

Step 1 Tap motor shaft for 10-32 screw, 1/2" deep

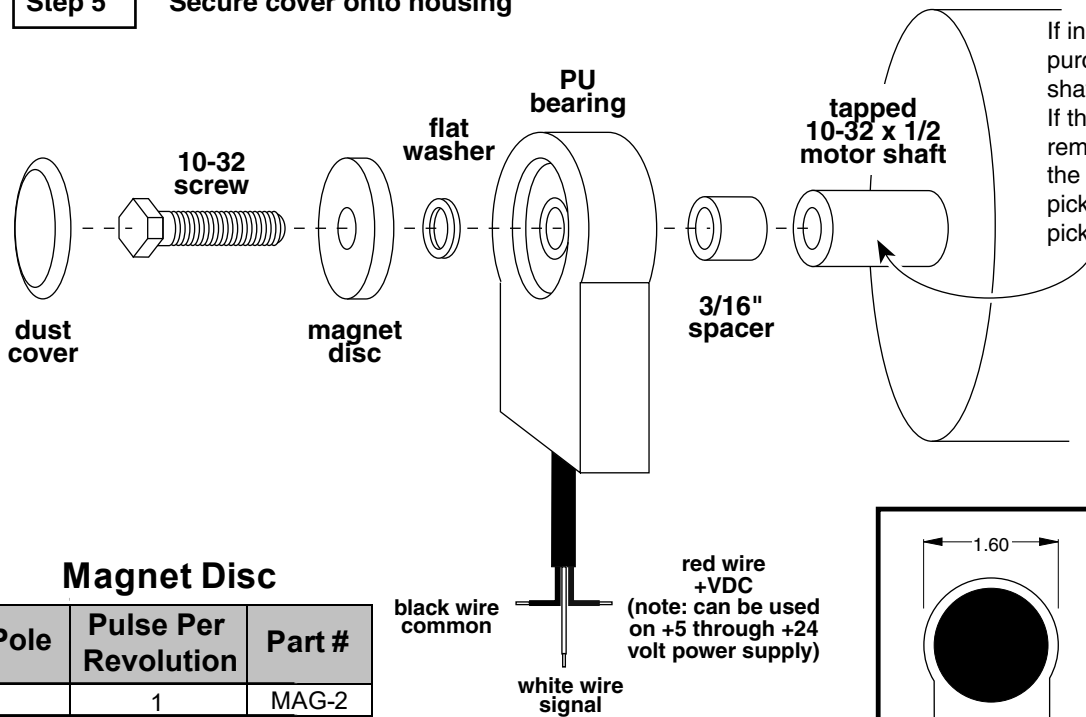
Step 2 Remove cap from screw

Step 3 Remove dust cover

Step 4 Install and tighten PU assembly

Step 5 Secure cover onto housing

No other screws are necessary, as the cord will keep the unit from rotating. The PU gives a high signal when the North Pole in the magnet crosses the hall-effect transistor. The signal is switched off when the South Pole crosses the hall-effect transistor. The result is a square wave whose frequency is proportional to the speed of the shaft that the PU is mounted on. The number of North/South Pole pairs directly affects the output.

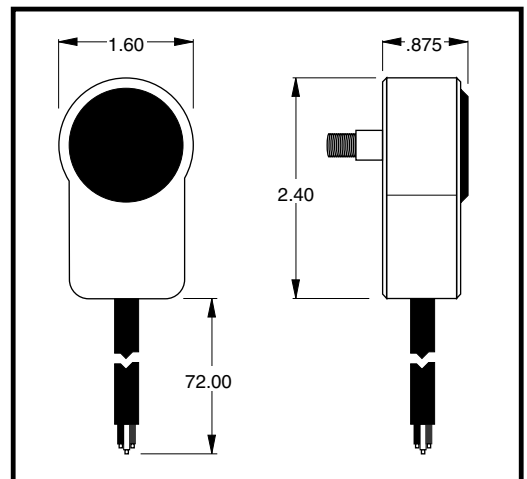


Note:

If installing the unit on a motor purchased from Dart, the motor shaft is already drilled and tapped. If the motor is fan-cooled (TENV), remove the plug in the center of the fan guard before installing the pickup. Otherwise, damage to the pickup may occur.

Magnet Disc

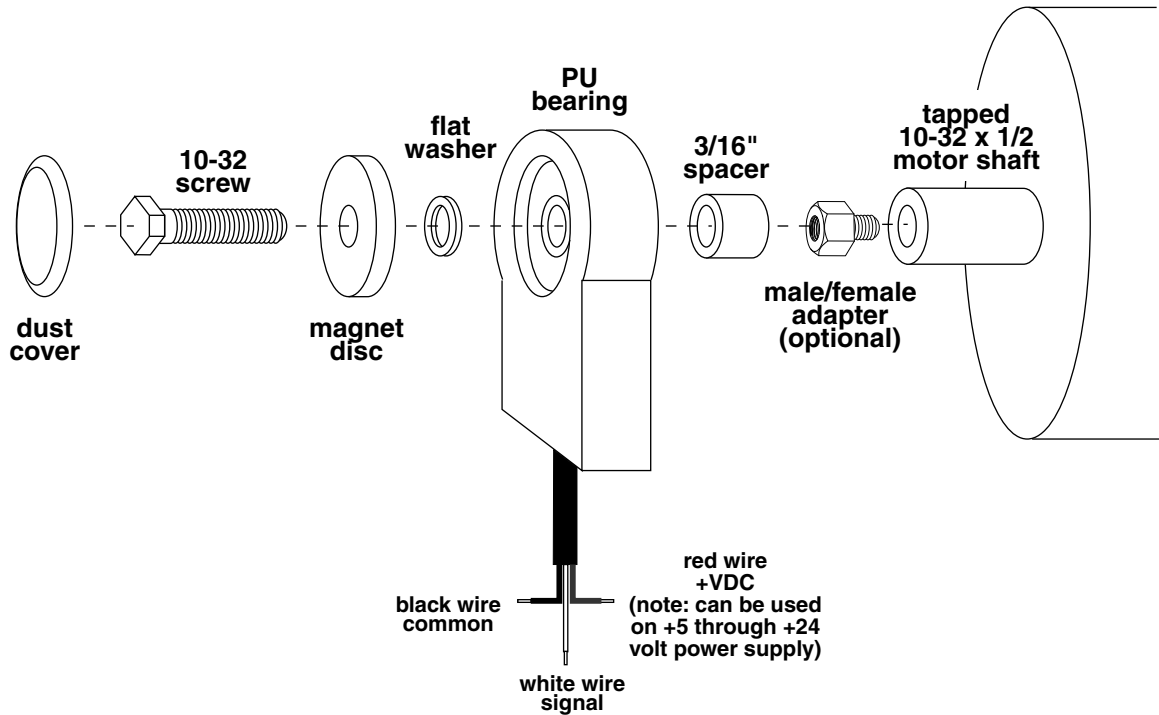
(X) Pole	Pulse Per Revolution	Part #
2	1	MAG-2
20	10	MAG-20
4	2	MAG-4
40	20	MAG-40
6	3	MAG-6
8	4	MAG-8
10	5	MAG-10
14	7	MAG-14



PU SERIES INSTALLATION & DIMENSIONS

Models: PU-MAE
PU-MAR

Description: Indoor Duty
Description: Outdoor Duty (water resistant)



PU Parts List

- (1) PU sensor body with 6' cord and dust cap
- (1) Magnetic disc¹ (#2, 1PPR)
- (1) Magnetic disc¹ (#20, 10PPR)
- (1) Magnetic disc¹ (#40, 20PPR) (installed)
- (1) 3/16" spacer
- (1) Male/female adapter^{2,3,4}
- (1) flat washer
- (1) 10-32 screw^{3,4}

Notes:

- 1) Magnetic discs are included with the kit and are NOT available separately.
- 2) Use of the threaded adapter is optional, depending on the distance between the end of the motor shaft and the fan shroud. If the supplied 10-32 screw and 3/16" spacer are insufficient in length to bridge that gap, the threaded adapter should be used in addition to the screw and spacer.
- 3) Torque 10-32 screw to 10-23 in-lbs.
- 4) Use thread locker on 10-32 threaded connection and Male/Female adapter.