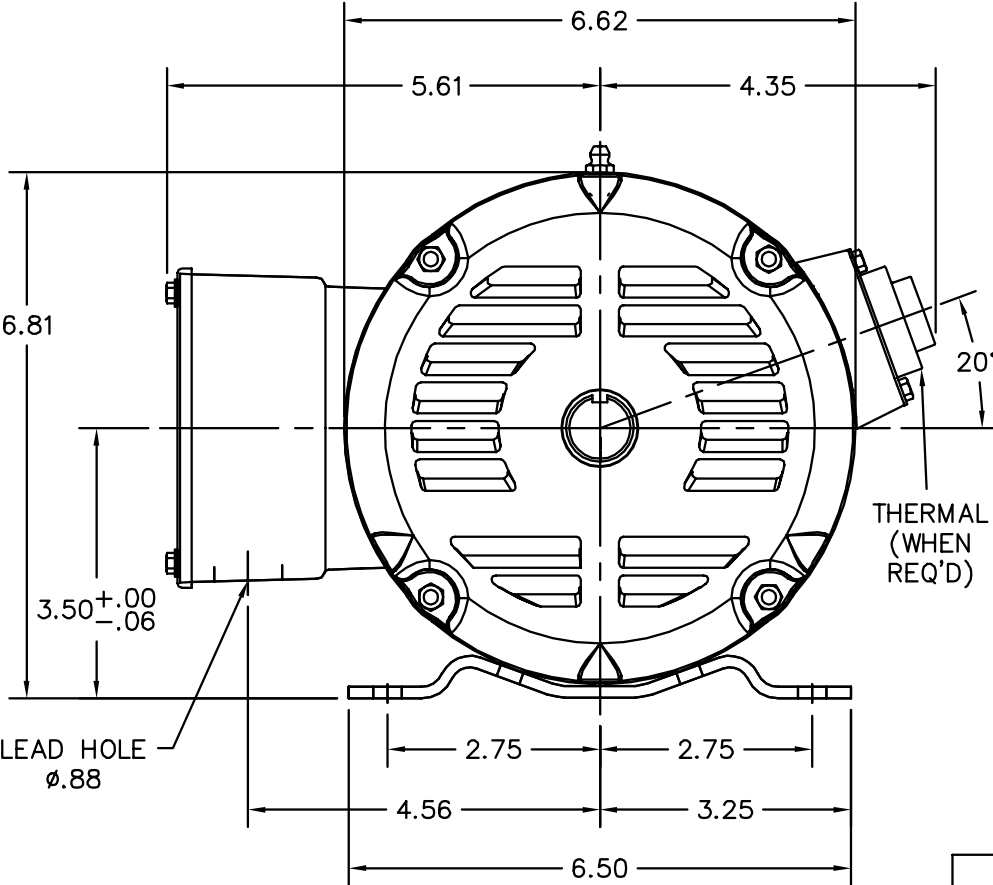
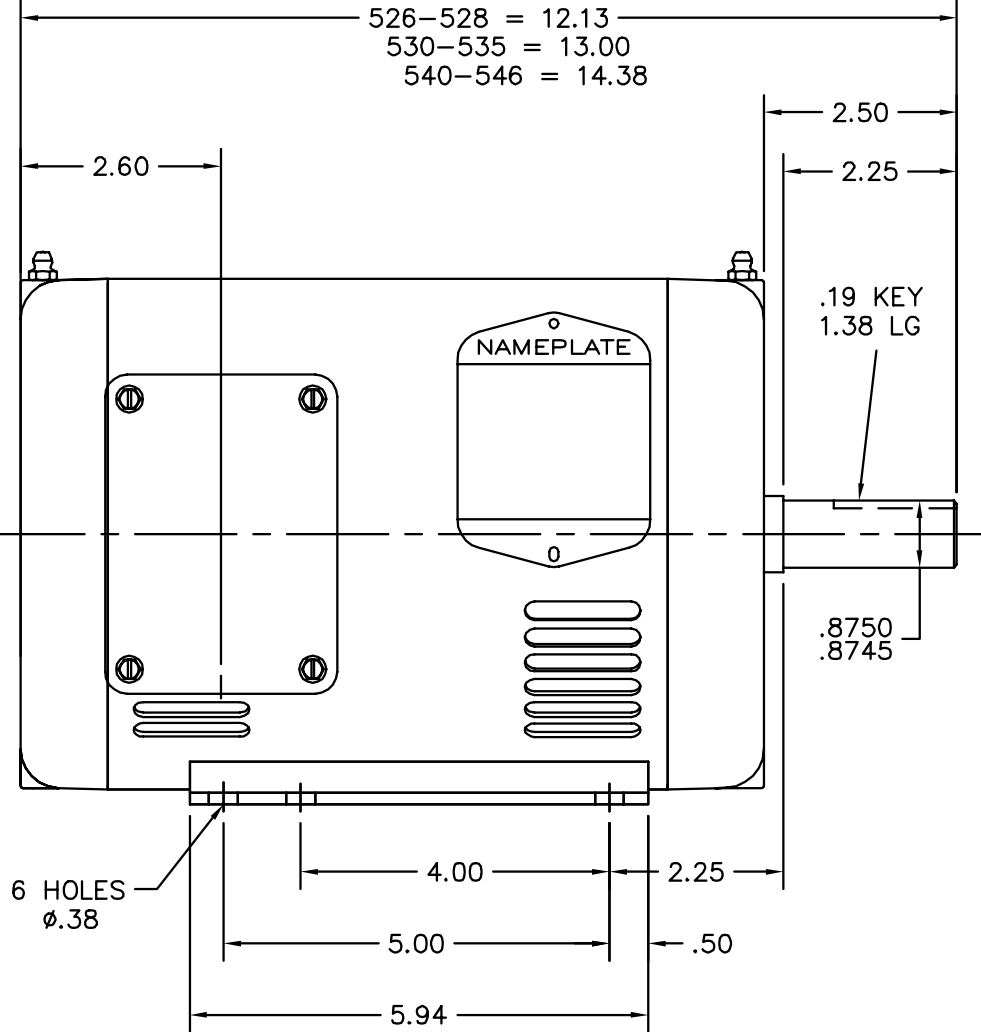


510-520 = 11.12
522-524 = 11.62
526-528 = 12.13
530-535 = 13.00
540-546 = 14.38



CUSTOMER IS RESPONSIBLE FOR DETERMINING THAT BALDOR'S PRODUCT WILL PERFORM SUITABLY IN THE INTENDED APPLICATION.

REV. DESC: REPLACE ENDPLATES		
REV. LTR: C	VERSION: 03	TDR: 000001041474
FILE: \AAA\00107\659	REVISED: 02:57:54 08/31/2017	BY: USJOBUR22
MTL: -		

BALDOR

HORZ 35M OPSB 143-5T 2 POLE "W" BASE (35BA4009)

SH 1 of 1