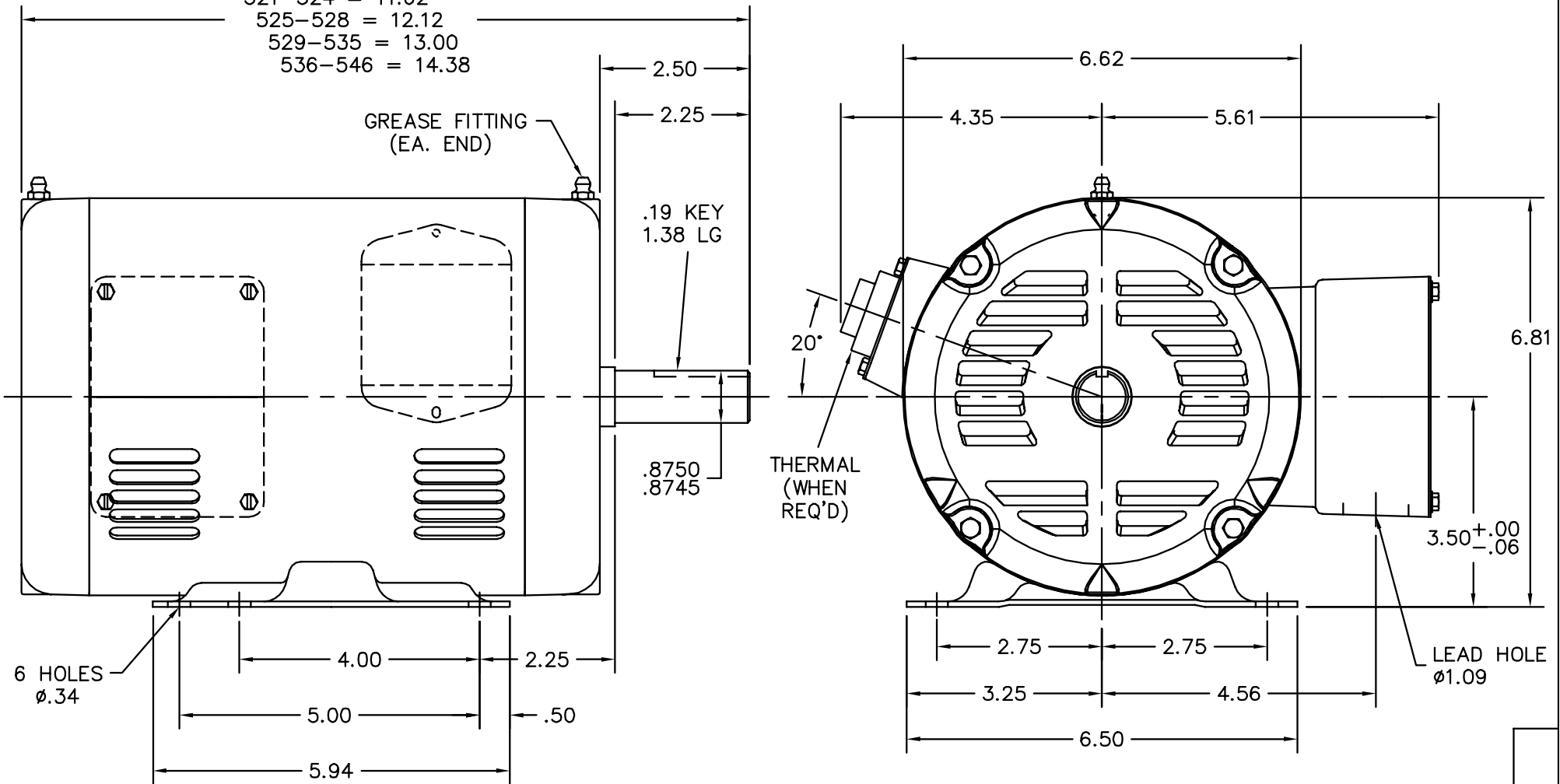



510-520 = 11.12
 521-524 = 11.62
 525-528 = 12.12
 529-535 = 13.00
 536-546 = 14.38



CUSTOMER IS RESPONSIBLE FOR DETERMINING THAT BALDOR'S PRODUCT WILL PERFORM SUITABLY IN THE INTENDED APPLICATION.

REV. DESC: REPLACE ENDPLATES		
REV. LTR: A	VERSION: 01	TDR: 000001041474
FILE: \AAA\00176\453	REVISED: 01:47:05 08/31/2017	BY: USJOBUR22
MTL: -		

BALDOR

STD HOR 143-5T OPSB 35M F2 W/1.09 LEAD HOLE

SH 1 of 1