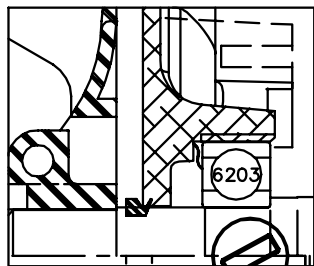
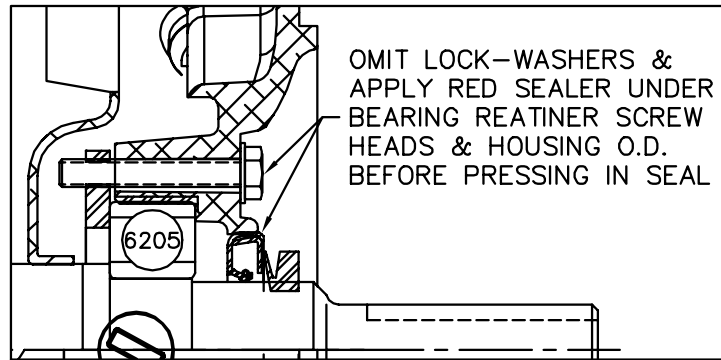


FORSHEDA
 SLINGER
 (EACH END)



FRONT END DETAIL



PULLEY END DETAIL

CUSTOMER IS RESPONSIBLE FOR DETERMINING THAT BALDOR'S PRODUCT WILL PERFORM SUITABLY IN THE INTENDED APPLICATION.

REV. DESC: UPDATE ENDPLATES AND NOTES		
REV. LTR: E	VERSION: 05	TDR: 000001074419
FILE: \AAA\00092\912	REVISED: 09:56:06 06/12/2018	BY: FPJFGO
MTL: -		

BALDOR - RELIANCE®

STD VERT 56C TEFC 35L WD (S/P #9)

SH 1 of 1