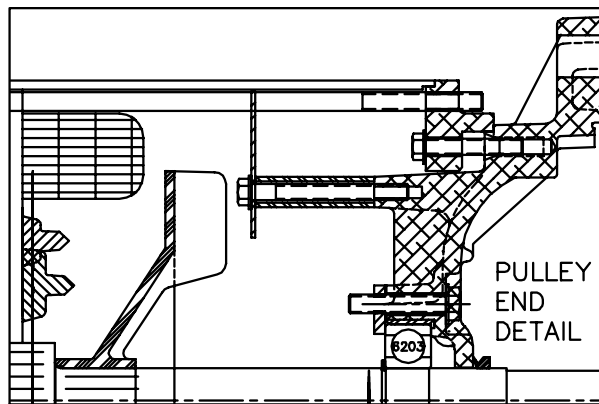


.50-20 UNF-2A THREAD
 P.D. .4619/.4662
 W/VINYL COVER
 (CUT THREADS ONLY,
 NO ROLLED THREADS)

.25-20 UNC-2B TAP
 L.H., .50 DEEP
 W/ 30° X .075 MAX
 CHAMFER



CUSTOMER IS RESPONSIBLE FOR DETERMINING THAT BALDOR'S PRODUCT WILL PERFORM SUITABLY IN THE INTENDED APPLICATION.

REV. DESC: CHANGE DESC. FROM 56Y TO 56YZ		
REV. LTR: A	VERSION: 01	TDR: 00000958802
FILE: \AAA\00201\281	REVISED: 04:07:56 01/22/2016	BY: ENELLGO
MTL: -		

BALDOR

VER 56YZ OPSB 35L POOL PUMP W/TERM PANEL, .50-20 THRD, LG CAP
 SH 1 of 1