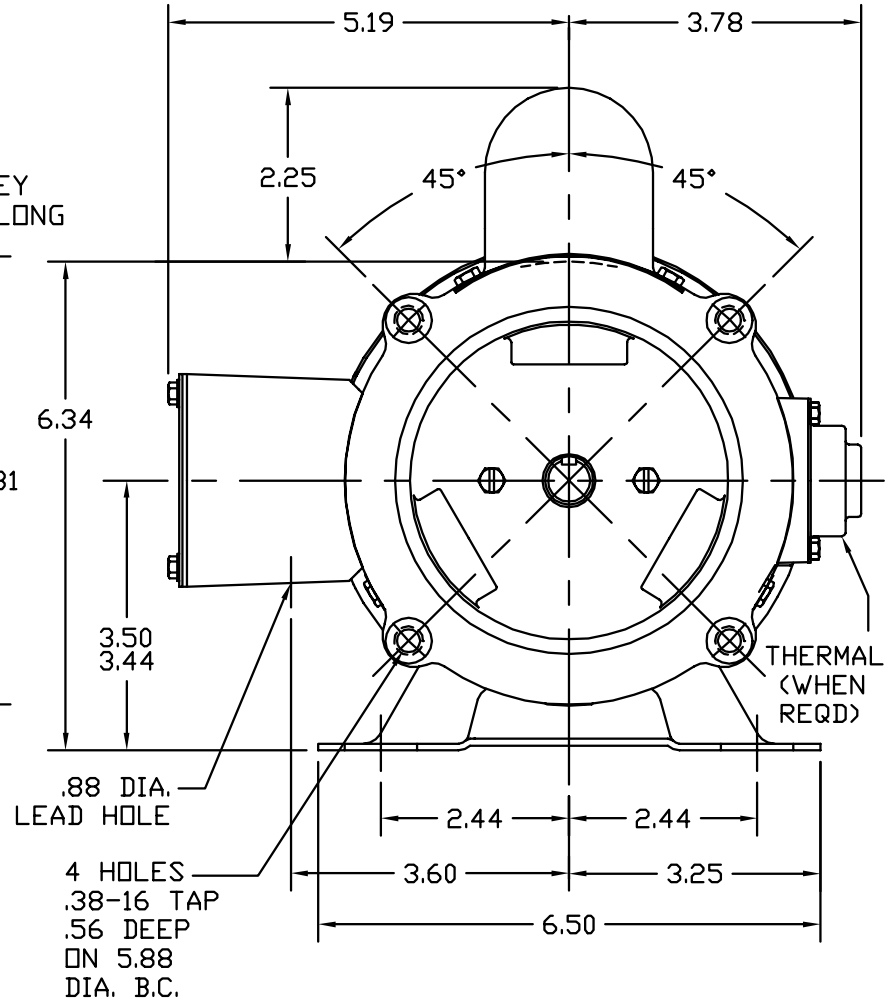
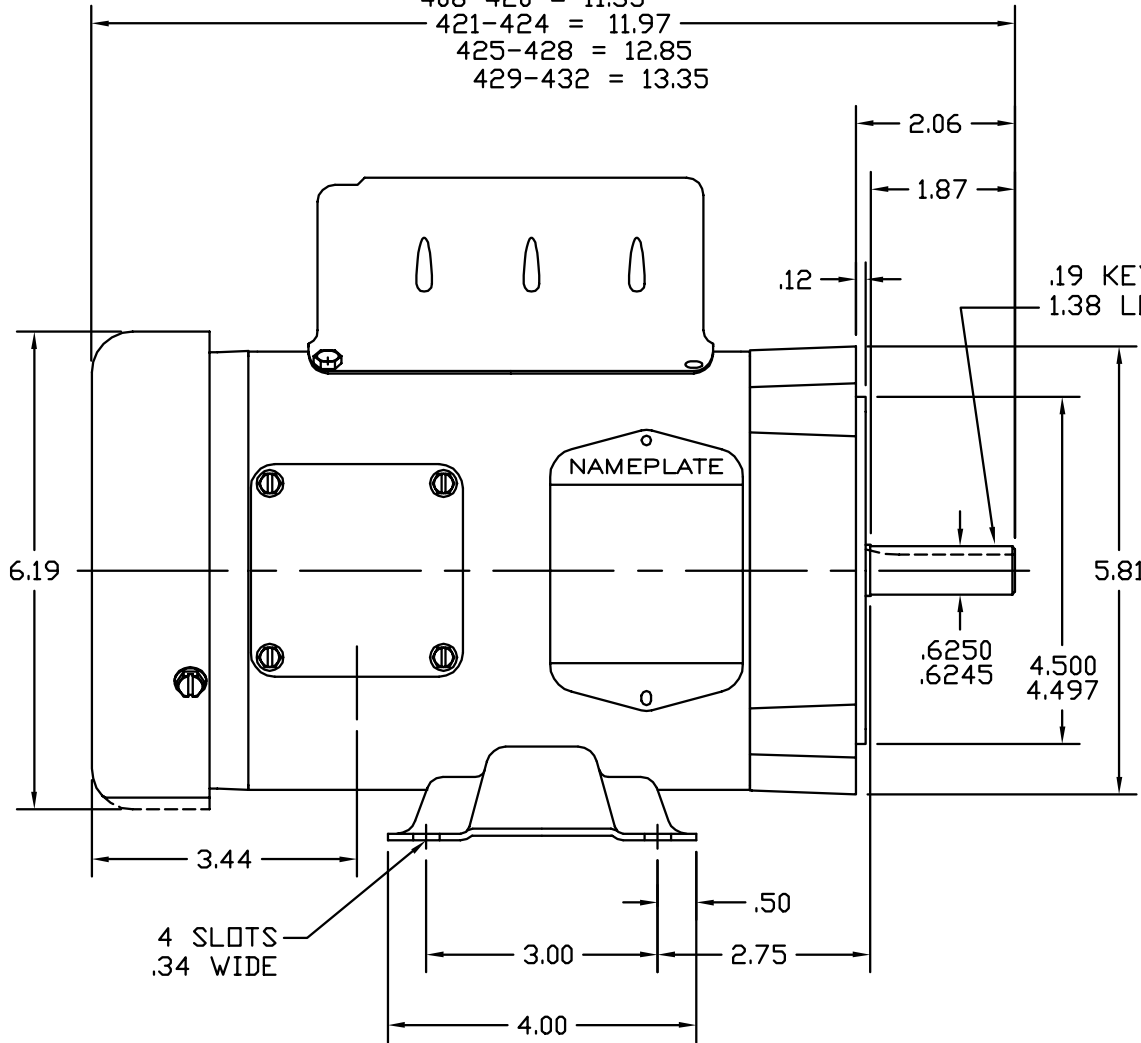


408-420 = 11.35  
 421-424 = 11.97  
 425-428 = 12.85  
 429-432 = 13.35



CUSTOMER IS RESPONSIBLE FOR DETERMINING THAT MOTOR PERFORMANCE IS SUITABLE IN THE APPLICATION.

REV. DESC: UPDATED DRAWING

REV. LTR: E

VERSION: 01

TDR: 000000424850

34LYK053

FILE: \AAA\00025\923

REVISED: 06:11:13 03/13/2007

MTL: -

BY: ENROSTO

**BALDOR ELECTRIC Co.**

STD HORZ 34L NEMA 56C TEFC W/35 CAPAC BOX