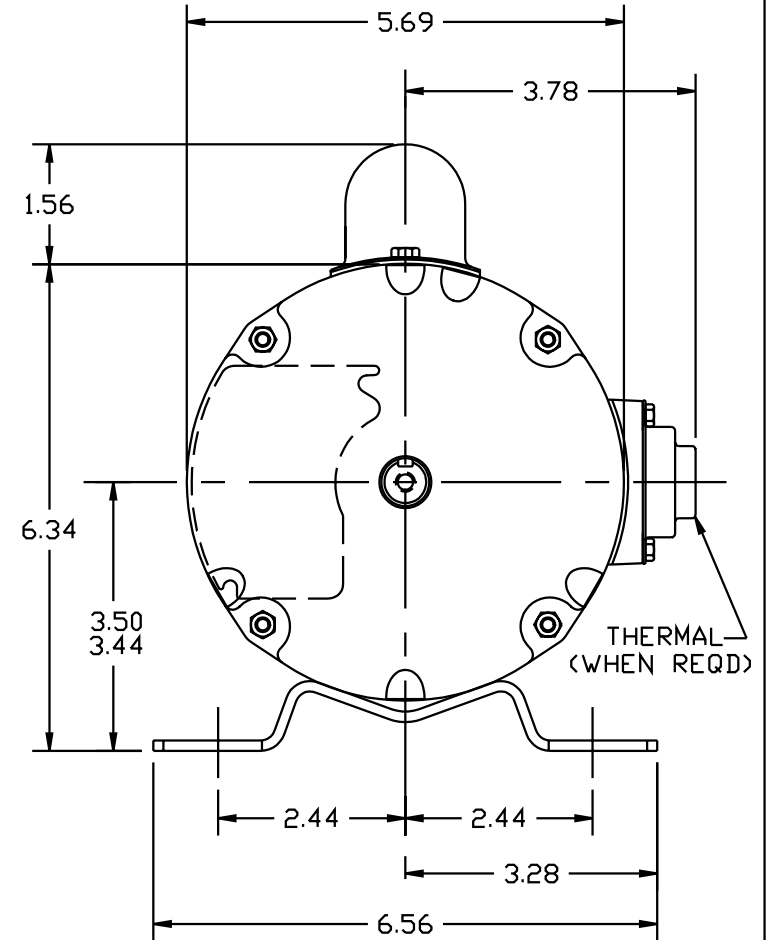
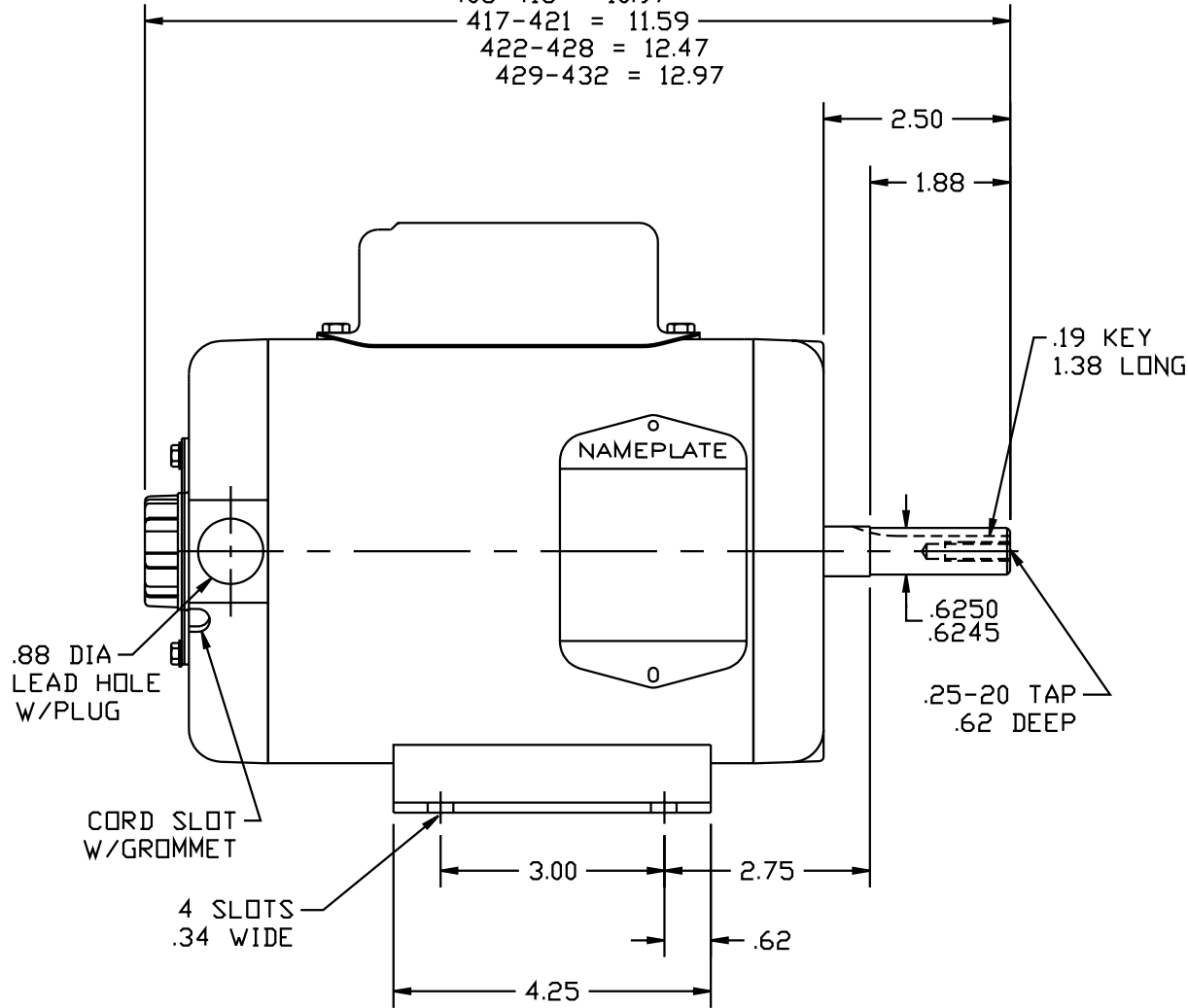


408-416 = 10.97
 417-421 = 11.59
 422-428 = 12.47
 429-432 = 12.97



CUST. NAME		CUST. P.O.		CERTIFIED BY		MODEL		INSUL		AMB	
H.P.		MTG		TYPE		R.P.M.		VOLTS		ENCL	
PHASE		FREQ		FRAME		REMARKS:					
REV:	B	MOVED TO ACAD									
34K048		REF: 34C051	BY: MW	REVISED: 12/07/95		<h1>BALDOR ELECTRIC Co.</h1> <p>HORZ MODEL 34L NEMA 56Z TENV W/TERM PLATE (AERATION FAN MTR)</p>					
		FILE: AAA00026170	TDR: 0086258								

34K048