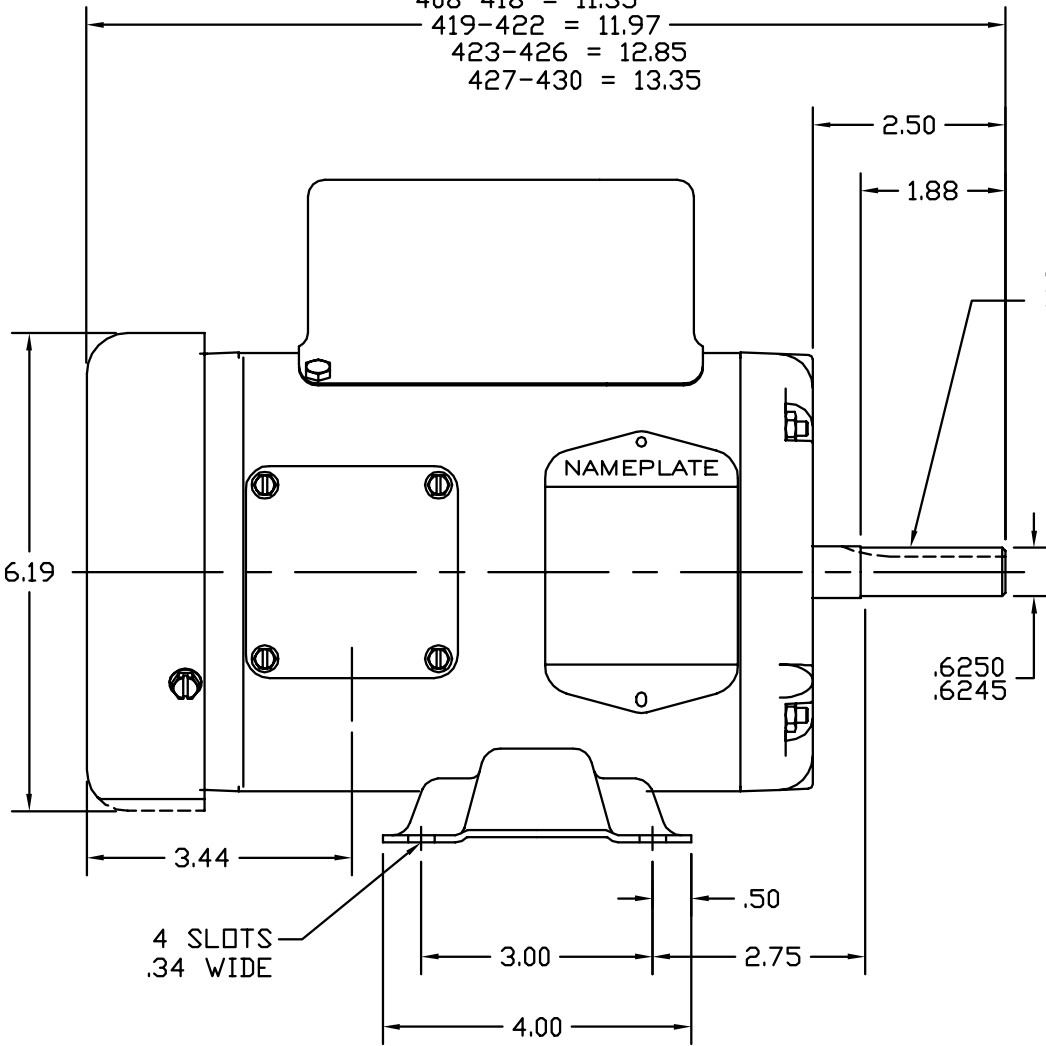
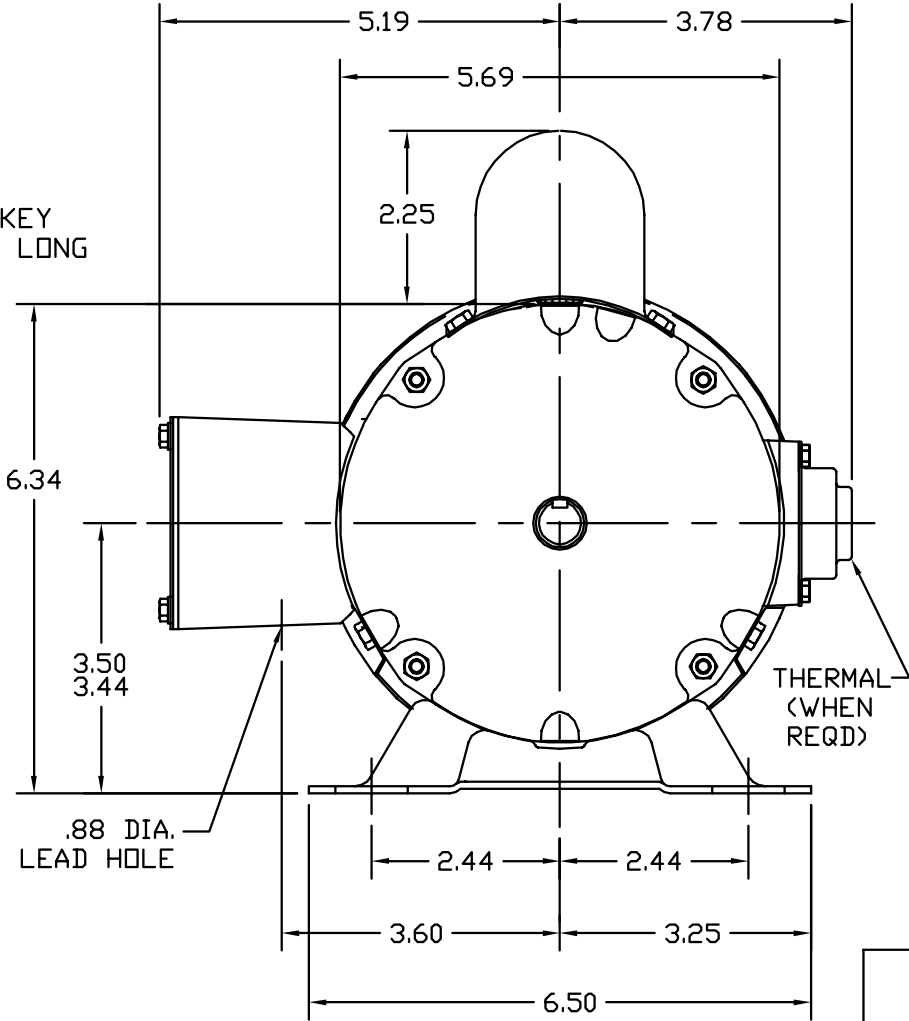


408-418 = 11.35
419-422 = 11.97
423-426 = 12.85
427-430 = 13.35



.19 KEY
1.38 LONG



CUSTOMER IS RESPONSIBLE FOR DETERMINING THAT BALDOR'S PRODUCT WILL PERFORM SUITABLY IN THE INTENDED APPLICATION.

REV. DESC: UPDATE DESCRIPTION		
REV. LTR: B	VERSION: 02	TDR: 00000725714
FILE: \AAA\00026\859	REVISED: 01:09:20 12/15/2011	
MTL: -	BY: ENVINWO	

BALDOR

HORZ 34L NEMA 56 TEFC W/35 CAPAC BOX AND 3 PH ER

SH 1 of 1

34LYG929