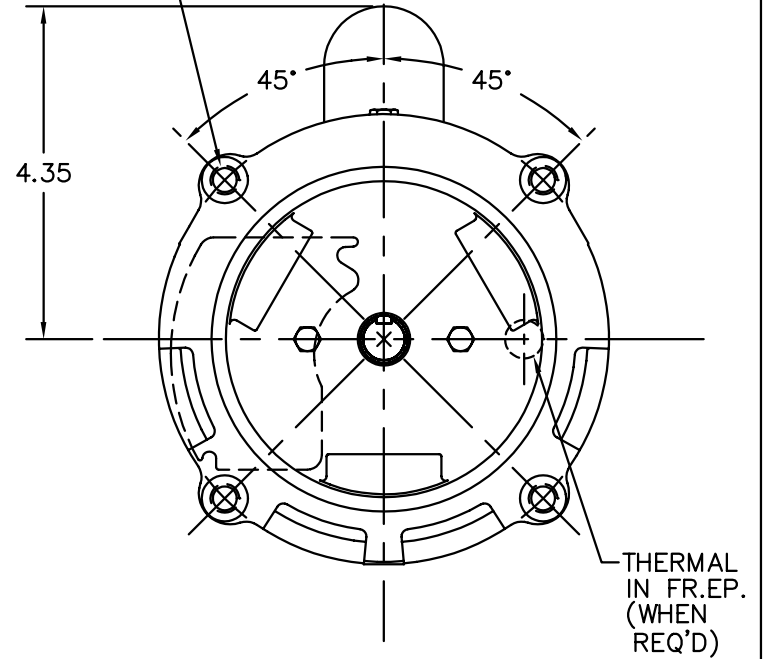


4 HOLES
 .38-16 TAP
 .56 DEEP ON
 5.88 DIA. B.C.



CUST. NAME		CUST. P.O.		CERTIFIED BY		MODEL		INSUL		AMB	
H.P.		MTG		TYPE		R.P.M.		VOLTS		ENCL	
PHASE		FREQ		FRAME							
REMARKS:						BALDOR ELECTRIC Co.					
REV:	-	NEW									
34F493		RER: 34F009	BY: DM	REVISED: 12/29/97							
		FILE: AAA00049996	TDR: 0139579	VERT 34L NEMA 56C OPEN W/DRIP COVER, TERM PLATE & ATO IN FREQ							