

PRODUCT INFORMATION PACKET



Model No: C6K17DR43A

Catalog No: E113027.00

E113027.00..1HP..1725RPM.56H.DP.115/230V.1PH.60HZ.CONT.40C.1.15SF.RESILIENT
BASE.C6K17DR43.....GENERAL PURPOSE.NONE.....

Open Drip Proof (ODP)



Regal and Leeson are trademarks of Regal Beloit Corporation or one of its affiliated companies.

©2018 Regal Beloit Corporation, All Rights Reserved. MC017097E





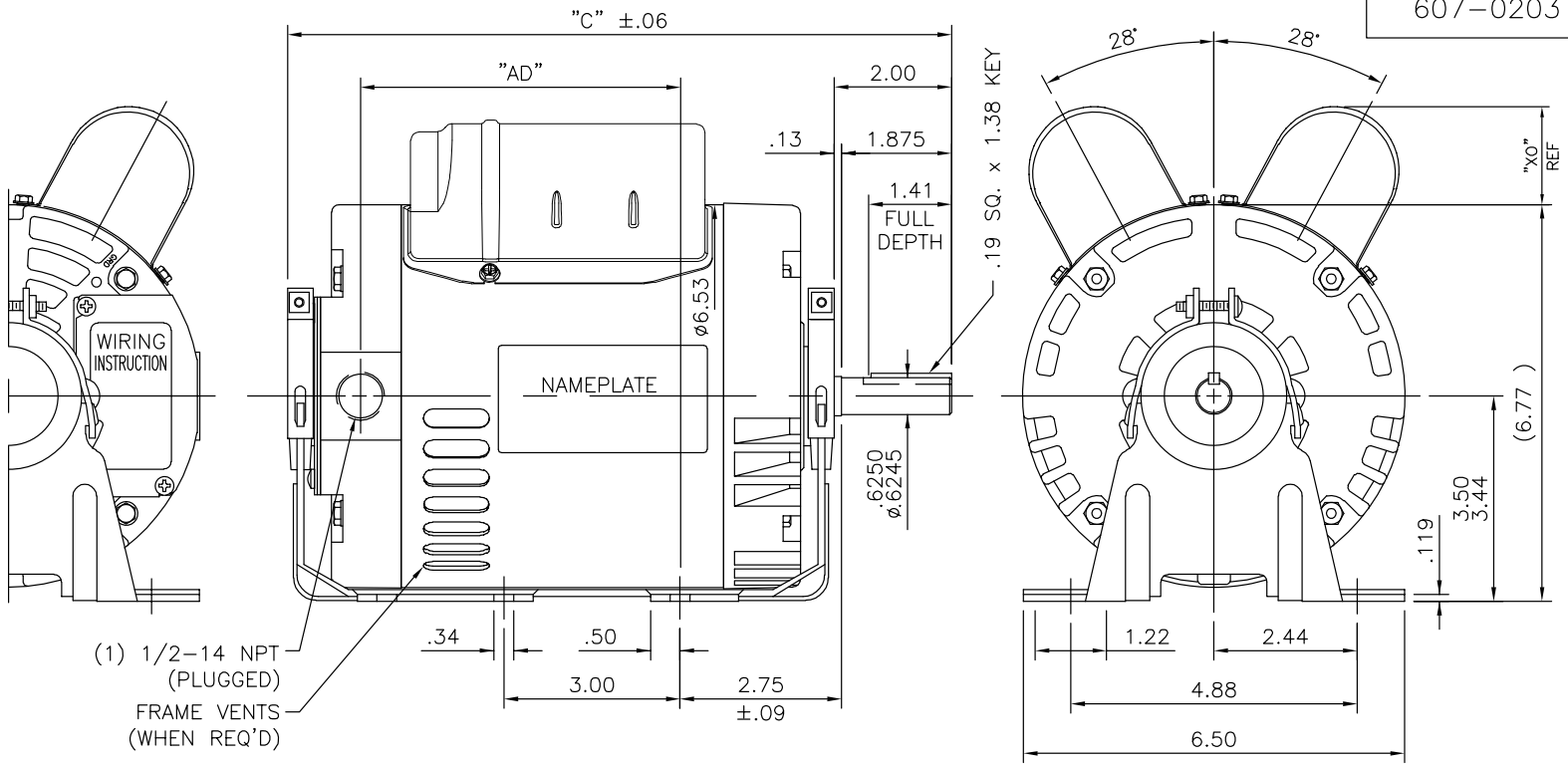
Nameplate Specifications

Output HP	1 Hp	Output KW	0.75 kW
Frequency	60 Hz	Voltage	115/230 V
Current	8.4/4.2 A	Speed	1725 rpm
Service Factor	1.15	Phase	1
Efficiency	82.6 %	Duty	Continuous
Insulation Class	F	Design Code	L
KVA Code	J	Frame	56H
Enclosure	Drip Proof	Overload Protector	No
Ambient Temperature	40 °C	Drive End Bearing Size	6203
Opp Drive End Bearing Size	6203	UL	Recognized
CSA	Y	CE	Y
IP Code	22		

Technical Specifications

Electrical Type	Capacitor Start Capacitor Run	Starting Method	Across The Line
Poles	4	Rotation	Selective Counterclockwise
Mounting	Resilient Base	Motor Orientation	HORIZONTAL
Drive End Bearing	BALL	Opp Drive End Bearing	BALL
Frame Material	Rolled Steel	Shaft Type	NEMA 56
Overall Length	12.82 in	Frame Length	7.00 in
Shaft Diameter	0.625 in	Shaft Extension	1.88 in
Assembly/Box Mounting	F1 ONLY		
Outline Drawing	607-0203-700B	Connection Diagram	005054.01

607-0203



(1) 1/2-14 NPT
(PLUGGED)
FRAME VENTS
(WHEN REQ'D)

DASH NO.	"C"	"AD"	DASH NO.	"C"	"AD"
500	10.82	4.96	800	13.82	7.96
550	11.32	5.46	850	14.32	8.46
600	11.82	5.96			
650	12.32	6.46			
700	12.82	6.96			
750	13.32	7.46			

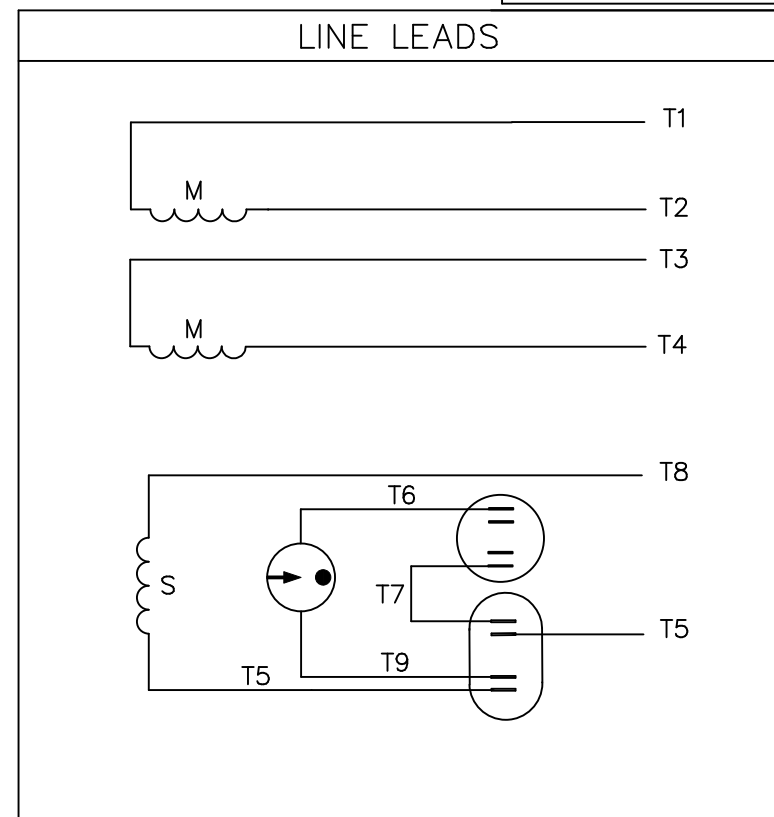
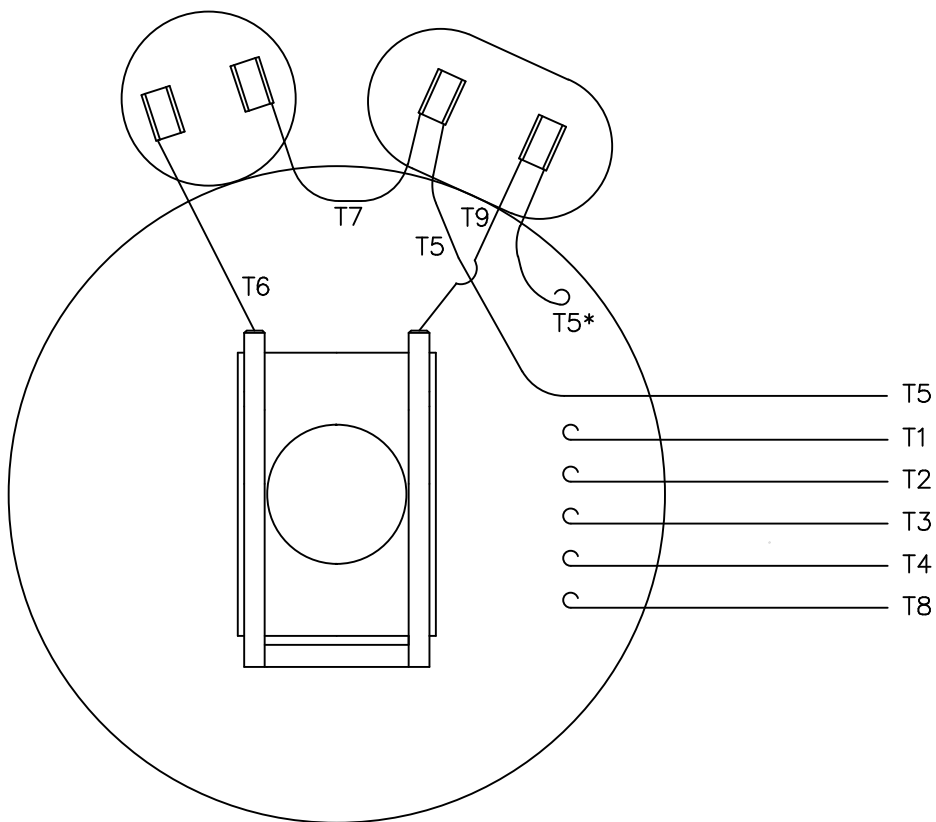
CAP DASH	"XO"
A	1.15
B	1.60
C	1.82

ORACLE PART REV. 000

NO.		REVISION		BY & DATE		TOLERANCES UNLESS SPECIFIED		REGAL TM Regal Beloit America, Inc.		DRAWN JD 03/03/2015	
						DEC.	INCHES	TITLE		CHK	
						.X	±.1	OUTLINE - 56 FRAME		APPD	
						.XX	±.03	DRIP PROOF - RESILIENT BASE		SCALE	3=8
						.XXX	±.005	GENERAL PURPOSE		REF	032510
						.XXXX	±.0005	FINISH		FMF	E113027.00
						CHK	ANG ±1/2"	CAD FILE		PREV	
						RFP		607-0203		SIZE	DRAWING NO.
						DIST		A		607-0203	
										REV.	


THIS DRAWING IN DESIGN AND DETAIL IS OUR PROPERTY AND MUST NOT BE USED EXCEPT IN CONNECTION WITH OUR WORK ALL RIGHTS OF DESIGN AND INVENTION ARE RESERVED THIS IS AN ELECTRONICALLY GENERATED DOCUMENT - DO NOT SCALE THIS PRINT

VIEW FROM OUTSIDE OF MOTOR AT SWITCH END.



	ROTATION FACING LEAD END	L1	L2	JOIN
HIGH VOLT	C.C.W.	T1	T4 T5	T2,T3 T8
	C.W.	T1	T4 T8	T2,T3 T5
LOW VOLT	C.C.W.	T1 T3,T8	T2,T4 T5	
	C.W.	T1,T3 T5	T2,T4 T8	

* THIS LEAD MAY BE WHITE

		TOLERANCES UNLESS SPECIFIED		ELECTRIC MOTORS GEARMOTORS AND DRIVES		DRAWN JRW 09/27/74				
		DEC.	INCHES			CHK	TEM			
		.X	±.1			APPD	10/11/74			
11	ALTERNATE T5 LEAD MARKING WAS RED	RLW	8/6/02	.XX	±.01	TITLE	EXT. WIRING DIAGRAM TYPE "K" W/O PROTECTOR	SCALE	1=1	
10	ADDED ALTERNATE T5 LEAD MARKING	RLW	6/5/02	KH	.XXX	MAT'L.	DECAL-004012	REF	A-005053	
09	REDRAWN TO CAD	DBT	05/28/97		.XXXX	FINISH		FMF	W-K6343	
NO.	REVISION	BY & DATE	CHK	ANG	±1/2'	PREV				
THIS DRAWING IN DESIGN AND DETAIL IS OUR PROPERTY AND MUST NOT BE USED EXCEPT IN CONNECTION WITH OUR WORK ALL RIGHTS OF DESIGN AND INVENTION ARE RESERVED THIS IS AN ELECTRONICALLY GENERATED DOCUMENT - DO NOT SCALE THIS PRINT				RFP		CAD FILE	00505401	SIZE	DRAWING NO.	REV.
				DIST	BRF-NLV	A	005054-01	11		

