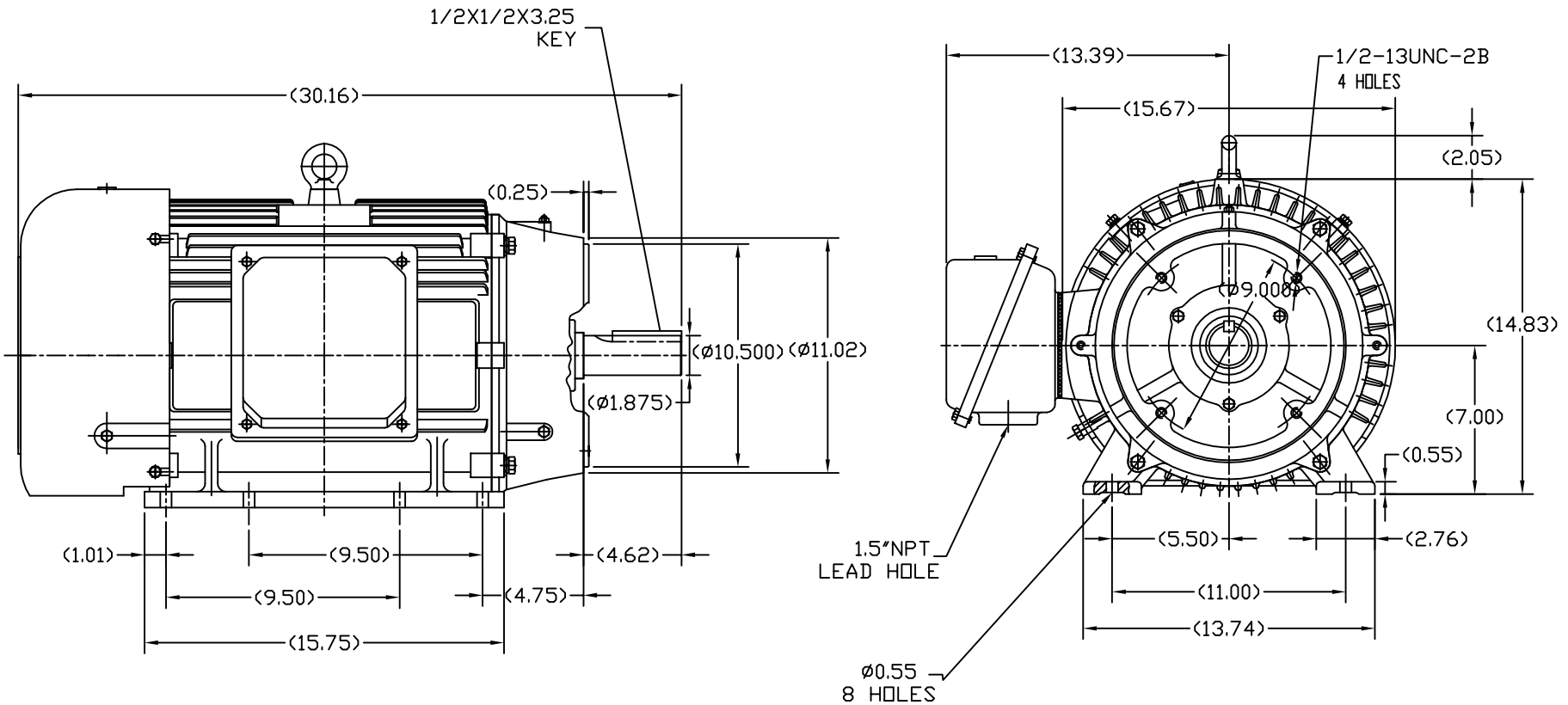


SS620299



DRAWING MAY NOT BE TO SCALE

284TC	30.16	15.75	9.50
286TC	31.34	16.93	11.00
FRAME	C	B	2F

TOLERANCES UNLESS SPECIFIED		REGAL-BELOIT CORPORATION		DRAWN
DEC.	INCHES			SY 4-21-2010
.X	±.1	REGAL-BELOIT CORPORATION		CHK HZJ 4-21-2010
.XX	±.03	TITLE		APPD CL 4-21-2010
.XXX	±.005	284/286TC FR-TEFC-CAST IRON		SCALE 2=13
.XXXX	±.0005	MAT'L		REF
ND.	REVISION	BY & DATE	FINISH	FMF HWADA
CHK	ANG ±1/2	RFP	CAD FILE	PREV
THIS DRAWING IN DESIGN AND DETAIL IS OUR PROPERTY AND MUST NOT BE USED EXCEPT IN CONNECTION WITH OUR WORK ALL RIGHTS OF DESIGN AND INVENTION ARE RESERVED THIS IS AN ELECTRONICALLY GENERATED DOCUMENT - DO NOT SCALE THIS PRINT				REV.
			SS620299	SIZE B
				DRAWING NO. SS620299