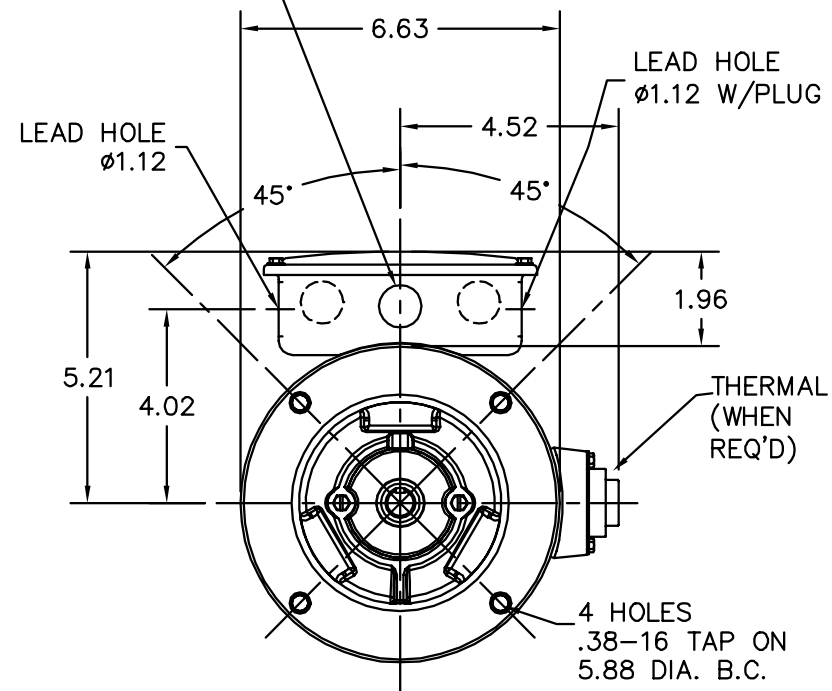
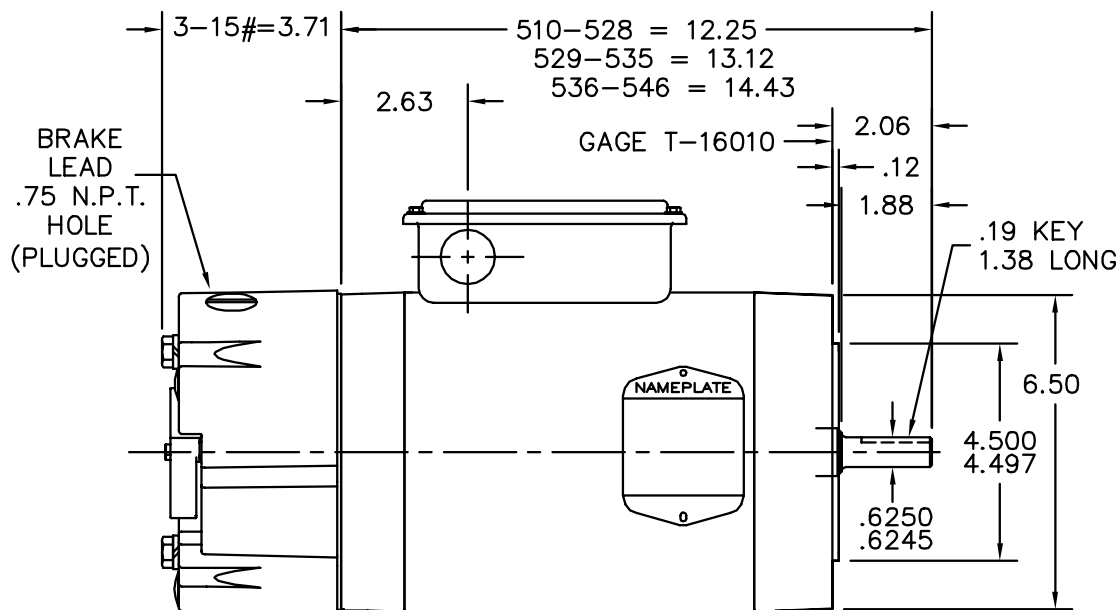



1 X ϕ .88 KNOCKOUT (PU. END)
 2 X ϕ .88 KNOCKOUTS (FR. END)



CUSTOMER IS RESPONSIBLE FOR DETERMINING THAT BALDOR'S PRODUCT WILL PERFORM SUITABLY IN THE INTENDED APPLICATION.

REV. DESC: UPDATE ENDPLATES AND NOTES		
REV. LTR: D	VERSION: 04	TDR: 000001076815
FILE: \AAA\00152\724	REVISED: 11:21:42 07/09/2018	BY: FGCHAH1
MTL: -		

BALDOR - RELIANCE®

VERT 56C TENV M F3 W/DODGE 'D' SERIES BRAKE W/35CB4007