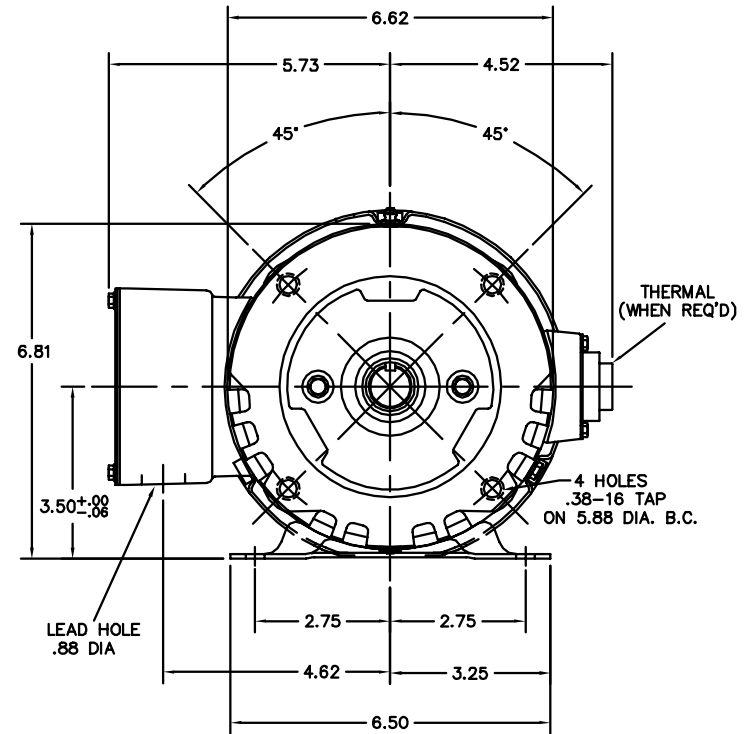


PULLEY END DETAIL



CUSTOMER IS RESPONSIBLE FOR DETERMINING THAT BALDOR'S PRODUCT WILL PERFORM SUITABLY IN THE INTENDED APPLICATION.

REV. DESC: REPLACE ENDPLATES		
REV. LTR: M	VERSION: 02	TDR: 00001065250
FILE: \AAA\00008\380	REVISED: 02:50:31 03/22/2018	BY: USJOBUR22
MTL: -		

BALDOR - RELIANCE®

HORZ 143-5JP TEFC 35M

SH 1 of 1