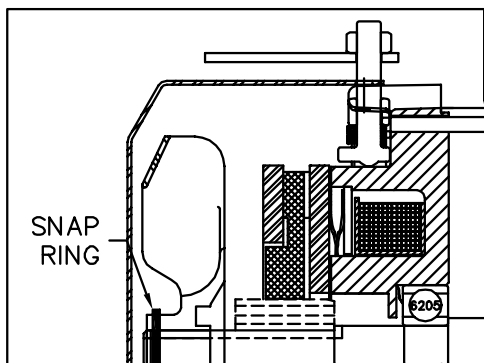
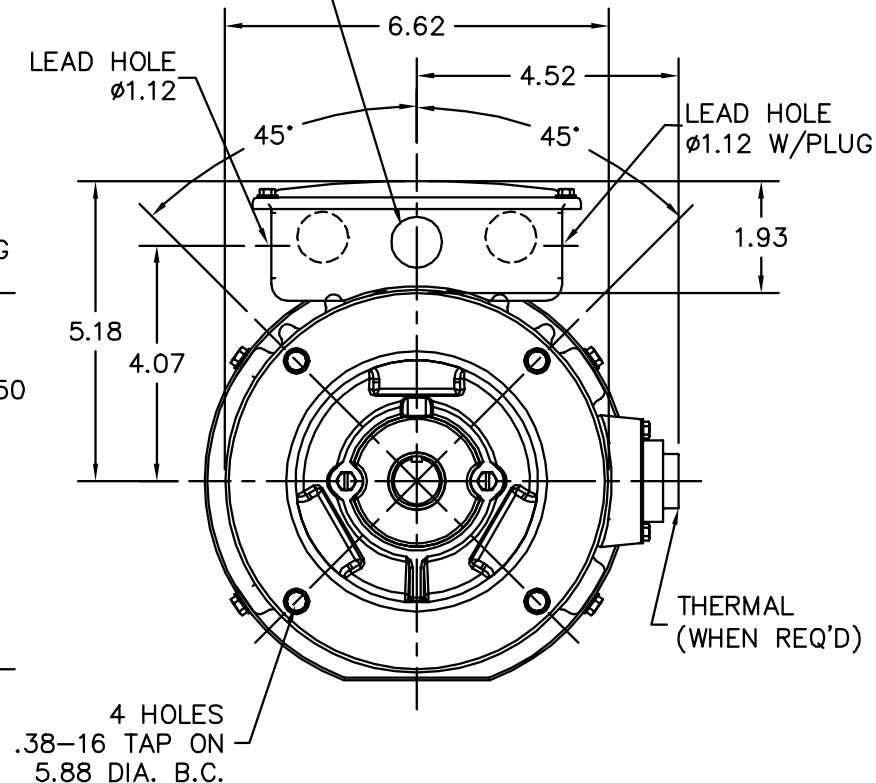
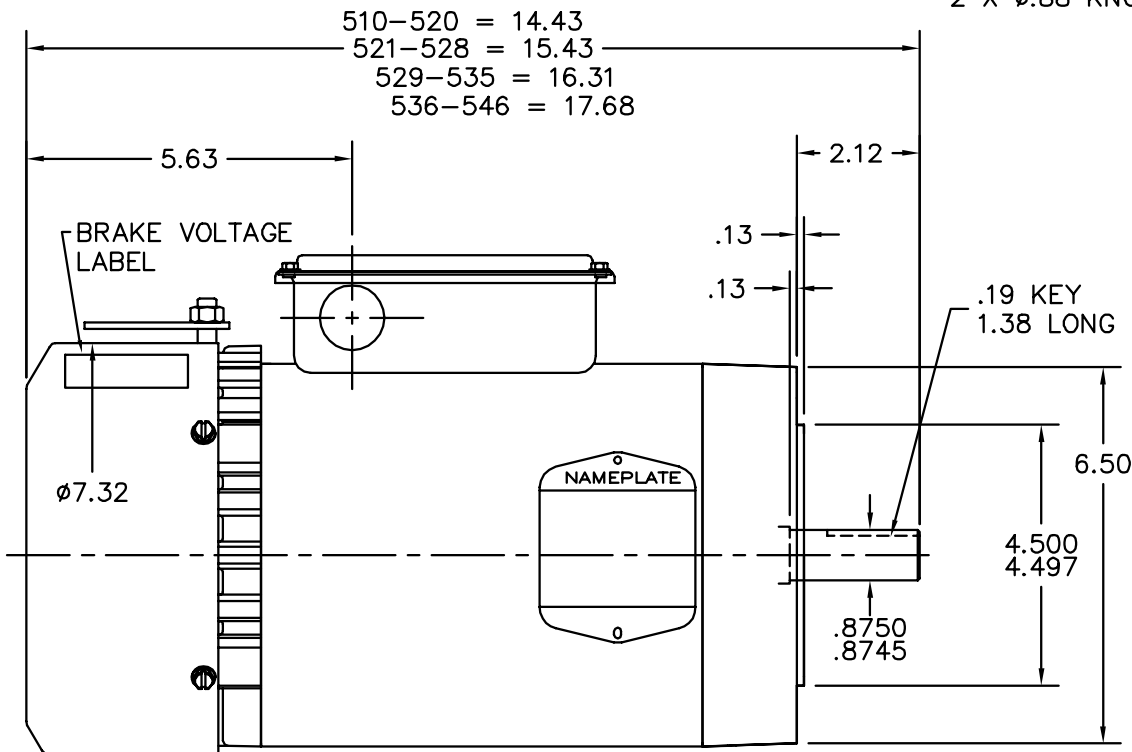



1 X ϕ .88 KNOCKOUT (PU. END)
 2 X ϕ .88 KNOCKOUTS (FR. END)



FRONT DETAIL VIEW

CUSTOMER IS RESPONSIBLE FOR DETERMINING THAT BALDOR'S PRODUCT WILL PERFORM SUITABLY IN THE INTENDED APPLICATION.

REV. DESC: UPDATE ENDPLATES AND NOTES		
REV. LTR: A	VERSION: 01	TDR: 000001076815
FILE: \AAA\00152\808	REVISED: 12:57:25 07/09/2018	BY: FGCHAH1
MTL: -		

BALDOR - RELIANCE®

VER 143-5TC TEFC 35M F3 W/DODGE SSB BRAKE & 35CB4007