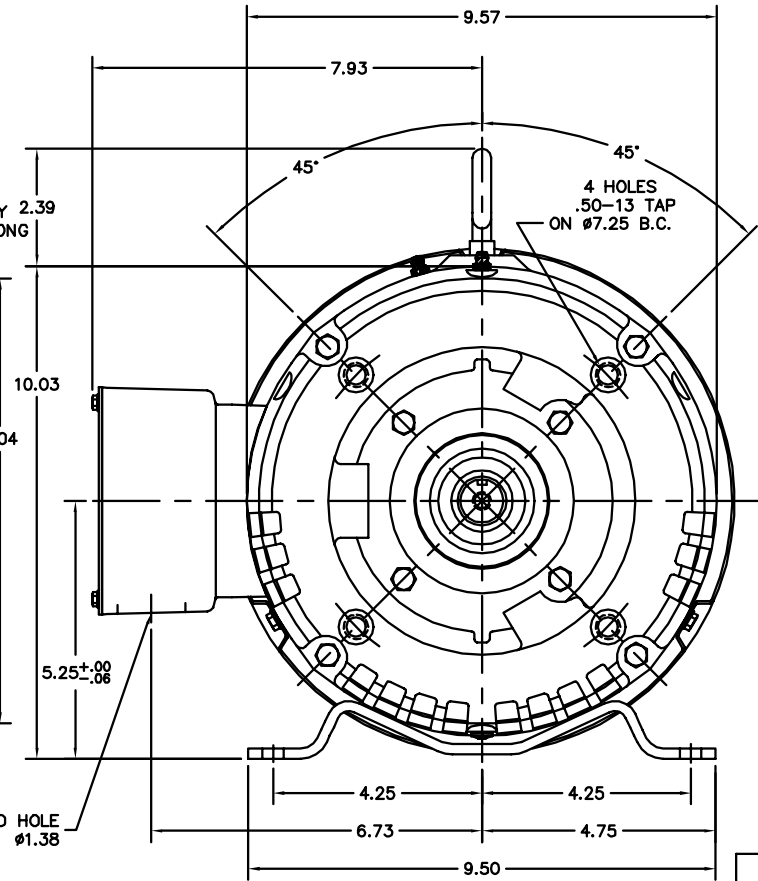
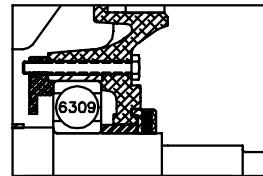
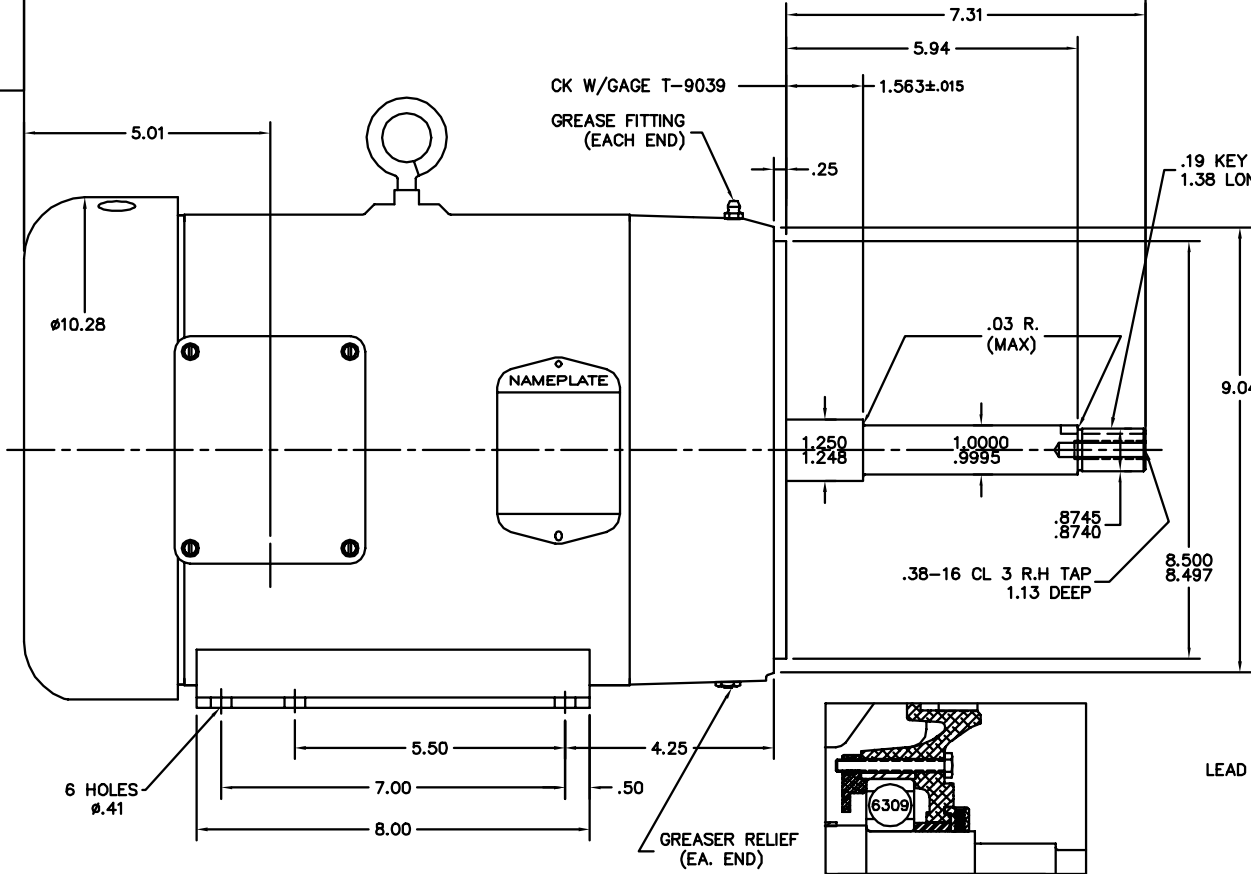


(723-735)=22.82
(736-744)=23.95
(745-750)=24.70
(751-756)=25.45



CUSTOMER IS RESPONSIBLE FOR DETERMINING THAT BALDOR'S PRODUCT WILL PERFORM SUITABLY IN THE INTENDED APPLICATION.

REV. DESC: CHANGE C-DIM	VERSION: 02	TDR: 000000820959
REV. LTR: P	REVISED: 11:04:04 10/09/2013	BY: ENKANVO
FILE: \AAA\00017\612		
MTL: -		

BALDOR

HORZ 213-5TCZ TEFC 37M WEST COAST PUMP MTG.

SH 1 of 1