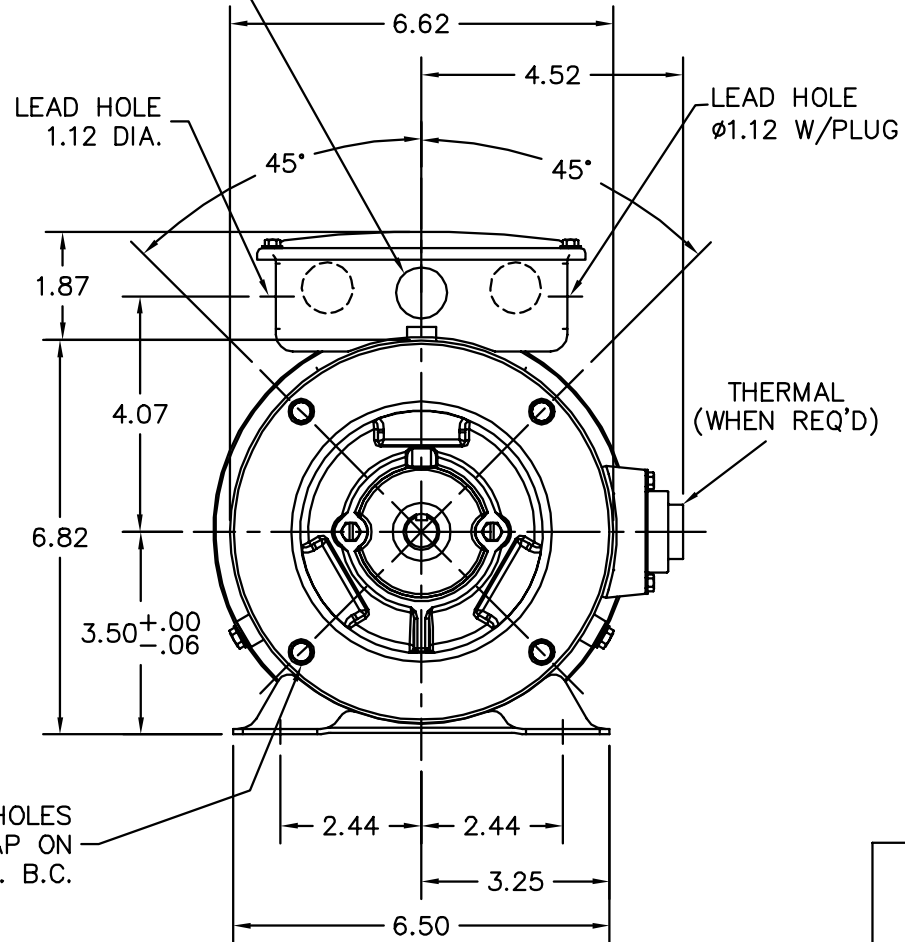
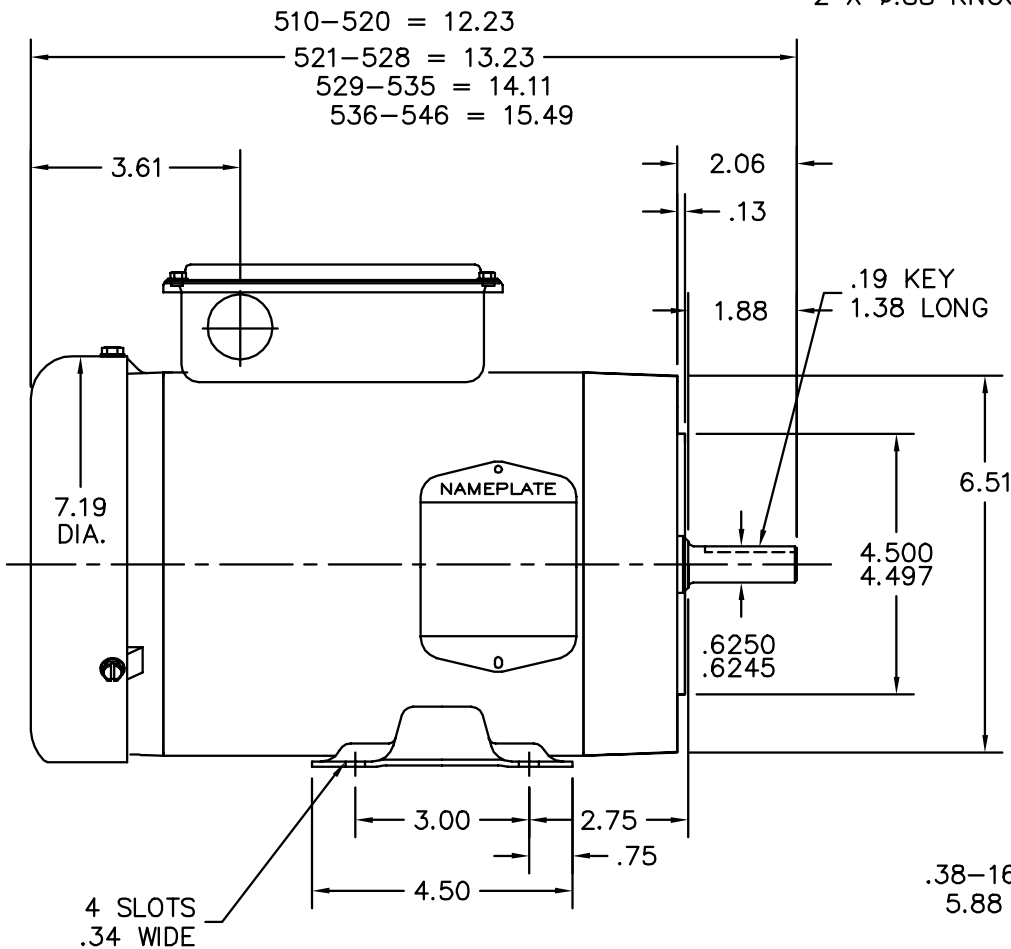



1 X ϕ .88 KNOCKOUT (PU. END)
2 X ϕ .88 KNOCKOUTS (FR. END)



CUSTOMER IS RESPONSIBLE FOR DETERMINING THAT BALDOR'S PRODUCT WILL PERFORM SUITABLY IN THE INTENDED APPLICATION.

REV. DESC: LAYER CORRECTION		
REV. LTR: B	VERSION: 02	TDR: 000001065336
FILE: \AAA\00152\645	REVISED: 08:56:00 03/23/2018	BY: FPJFGO
MTL: -		

BALDOR - RELIANCE®

HORZ 56C TEFC M F3 W/35CB4007

SH 1 of 1